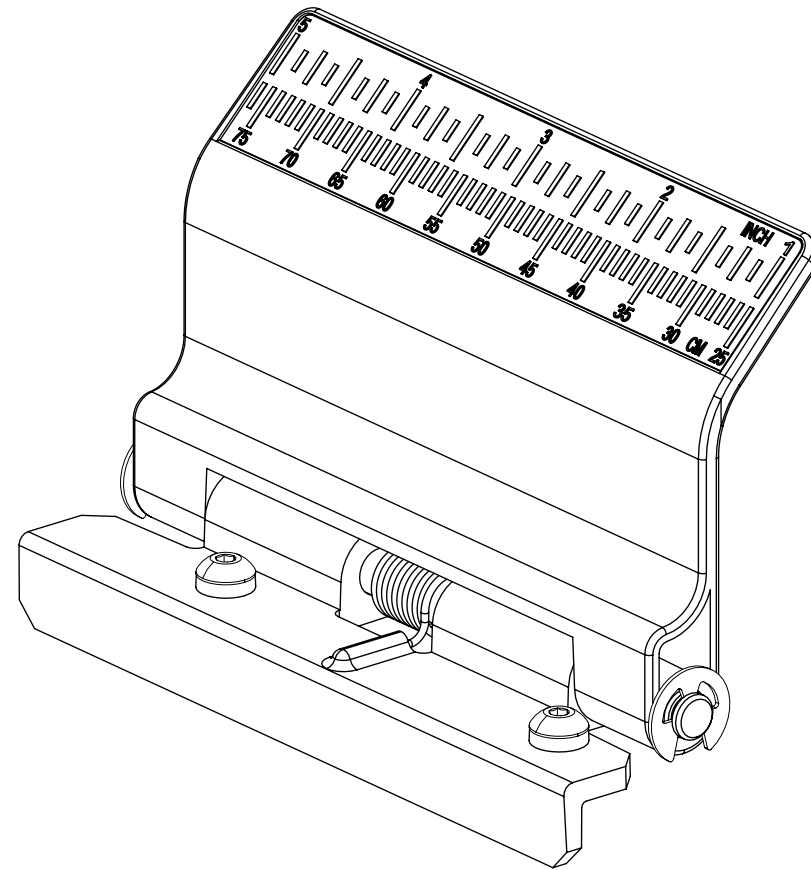
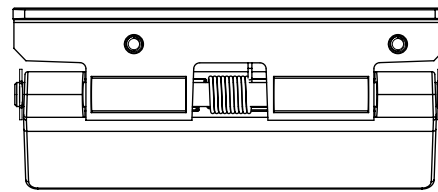


- NOTES:
1. VISIT OUR ON-LINE CATALOG AT WWW.PANDUIT.COM FOR A LIST OF CURRENT PARTS APPLICABLE FOR USE WITH THIS PRODUCT.
 2. DIMENSIONS IN [] ARE METRIC.
 3. ALL MATERIALS AND COMPONENTS USED MEET THE MATERIAL RESTRICTIONS OF RoHS (EUROPEAN DIRECTIVE 2011/65/EU ON THE RESTRICTION OF HAZARDOUS SUBSTANCES) AS PROPOSED BY THE RoHS TECHNICAL ADAPTATION COMMITTEE.
 4. WEIGHT: .18 oz.
 5. PART INCLUDES: Mounting Screws
 6. TOLERANCES: X.X +/- 0.10"; X.XX +/- 0.010" ; X.XXX +/- 0.005"



WE ASK THAT YOU CHECK FULLY THE DIMENSIONS, NOTES, AND SIGN THE CLIENT SIGNATURE BOX. THE JOB WILL NOT PROGRESS WITHOUT SIGNED APPROVAL. PLEASE DO NOT DELAY IN RETURNING PROOF AS IT WILL AFFECT DELIVERY.	SIGN
	PRINT
	DAE

PART NUMBER		00129EMZ	
TITLE		PLA-S	
		CUSTOMER DRAWING	
ITEM REVISION NAME		00129EMZ/02	
DATASET FILE NAME		00129EMZ_DC_02A	
		THIRD ANGLE PROJECTION	
MATERIAL		XXXXXXXXXXXX	
DRAWN BY		DATE	CHK
LAH	09/28/20	ALP	SCALE
		NONE	
DRAWING NUMBER		00129EMZ - DC	
SHEET 1 OF 1		SIZE	
		B	

REV	DATE	BY	CHK	APR	DESCRIPTION	ECN
02	09/28/20	LAH	RDSE	ALP	INITIAL RELEASE	

B

B

A

A

B-SIZE CUSTOMER