

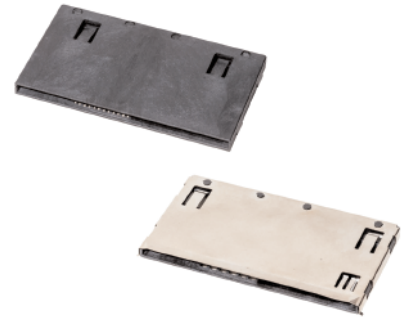
CCM01 MK5 Series

Features/Benefits

- Operating life 500,000 cycles
- Low profile 4 mm and 3.2 mm height
- PCI ready
- Card detection sealed switch

Typical Applications

- Transaction
- Identification
- POS
- MPOS



Full Size

Mechanical

NUMBER OF CONTACTS:	8
MECHANICAL LIFE:	500,000 cycles
CARD INSERTION FORCE:	10 N max.
CARD EXTRACTION FORCE:	1 N min. / 10 N max.
CONTACT FORCE:	0,2 N / 0,60 N max.

Packaging

Tray 25 parts or Reel 350 parts

Soldering

Compatible with lead free SMT reflow soldering process

Contact Electrical Data

INSULATION RESISTANCE:	1,000 M Ω min.
CONTACT RESISTANCE:	100 m Ω max.
CURRENT RATING:	10 μ A min. / 1A max.
DIELECTRIC STRENGTH:	750 Vrms min.

Switch Electrical Data

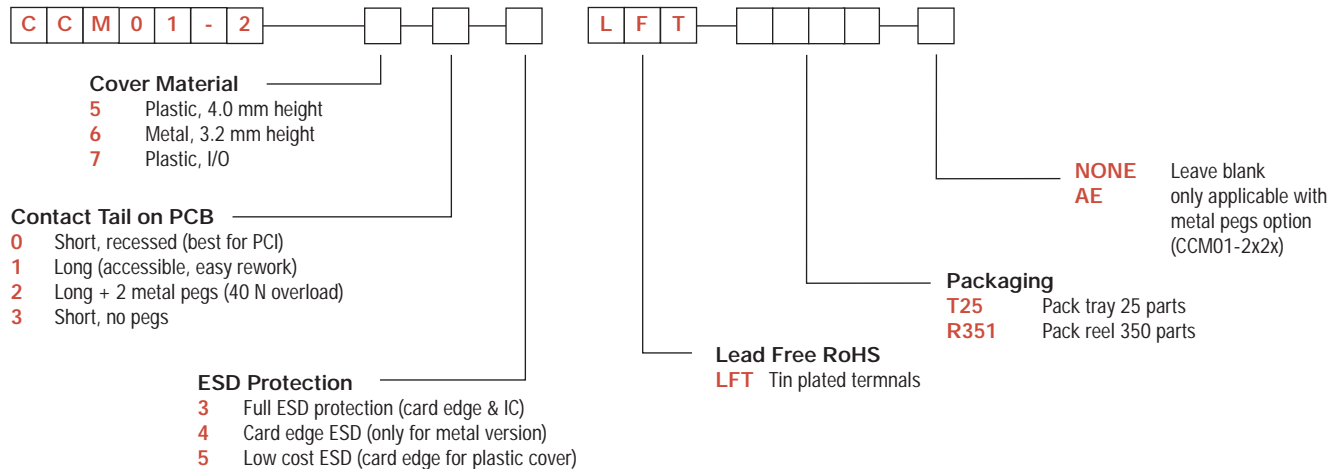
CARD DETECTION SWITCH:	Normally open
CONTACT RESISTANCE:	100 m Ω max.
DIELECTRIC STRENGTH:	250 Vrms min.
CURRENT RATING:	1 mA min. / 10 mA max.
MAXIMUM POWER:	0.2 VA

Environmental Data

OPERATING TEMPERATURE:	-40°C to + 85°C
CARD DETECTION SWITCH:	Sealed against dust
RoHS compliant	

How To Order

To order, simply select desired option from each category and place in the appropriate box. For additional options not shown in catalog, consult our Customer Service Center.

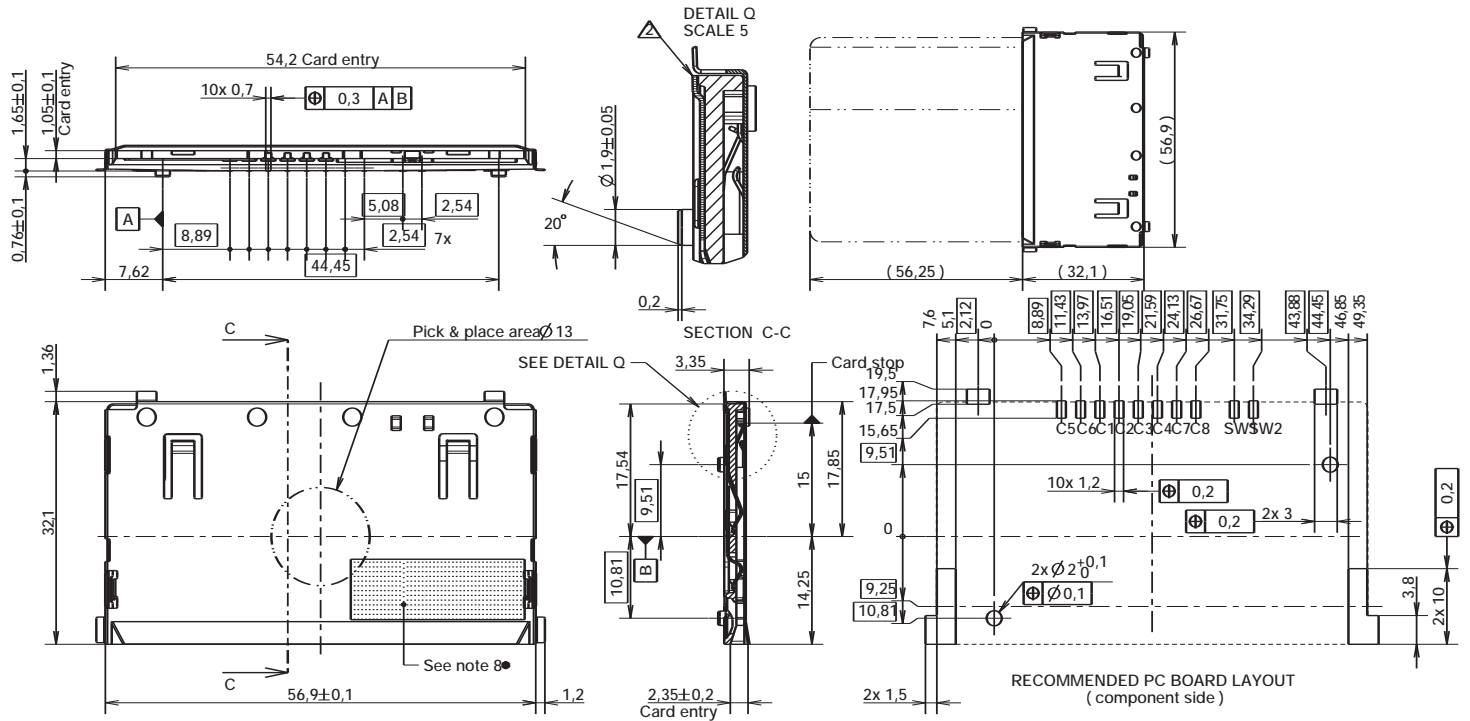


Dimensions are shown in mm
Specifications and dimensions subject to change

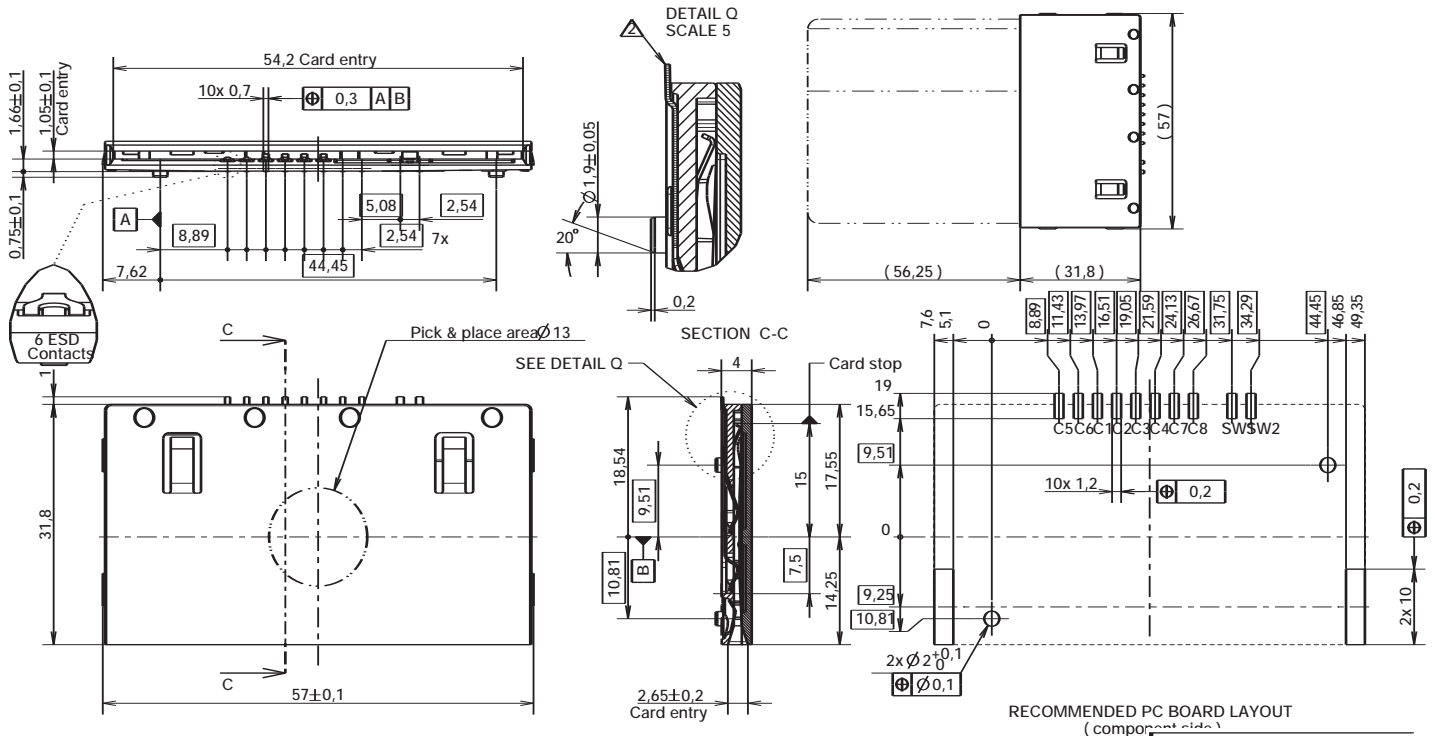
www.ck-components.com

CCM01 MK5 Series

CCM01-2604 LFT T25 Metal cover, short tails



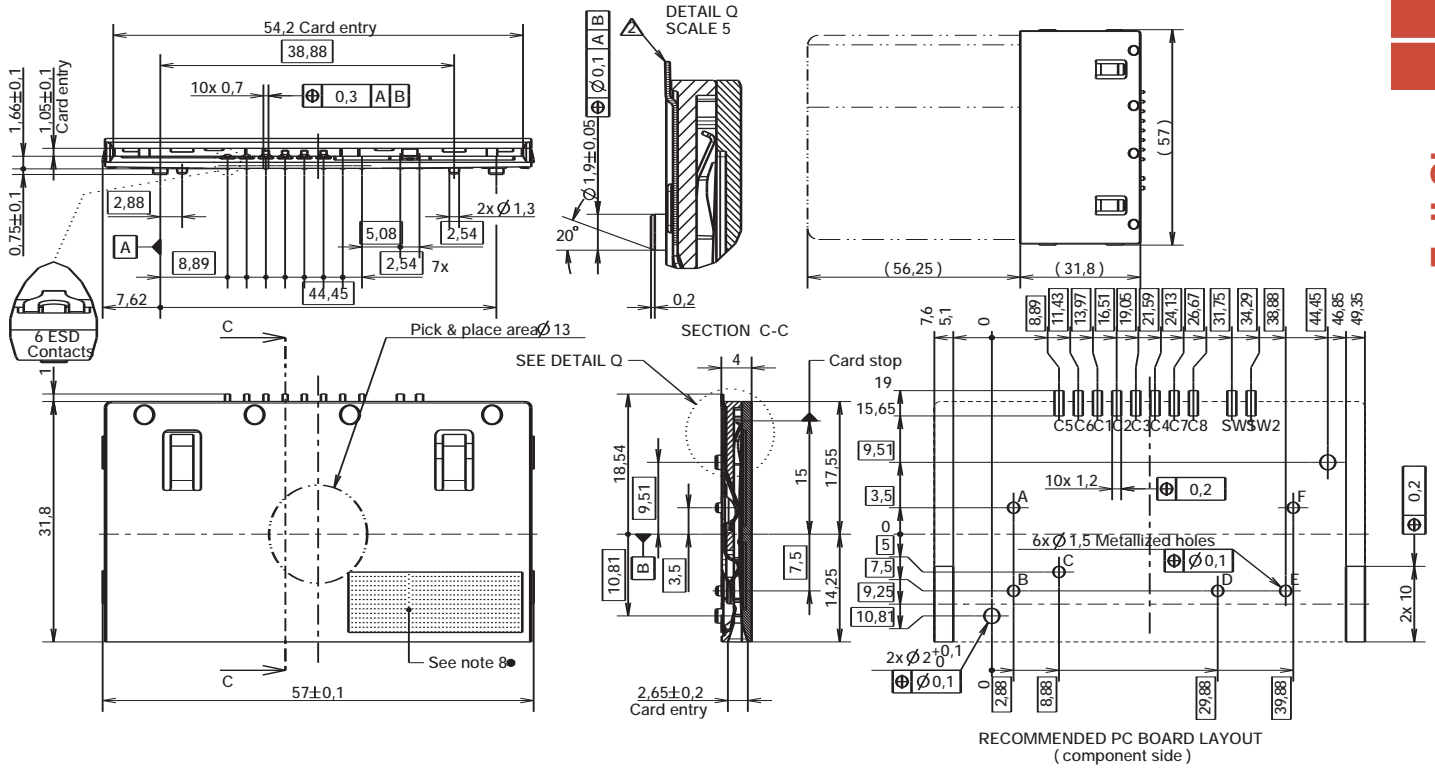
CCM01-2513 LFT T25 Plastic cover, long tails, full ESD protection



First Angle Projection
 Dimensions are shown in mm
 Specifications and dimensions subject to change

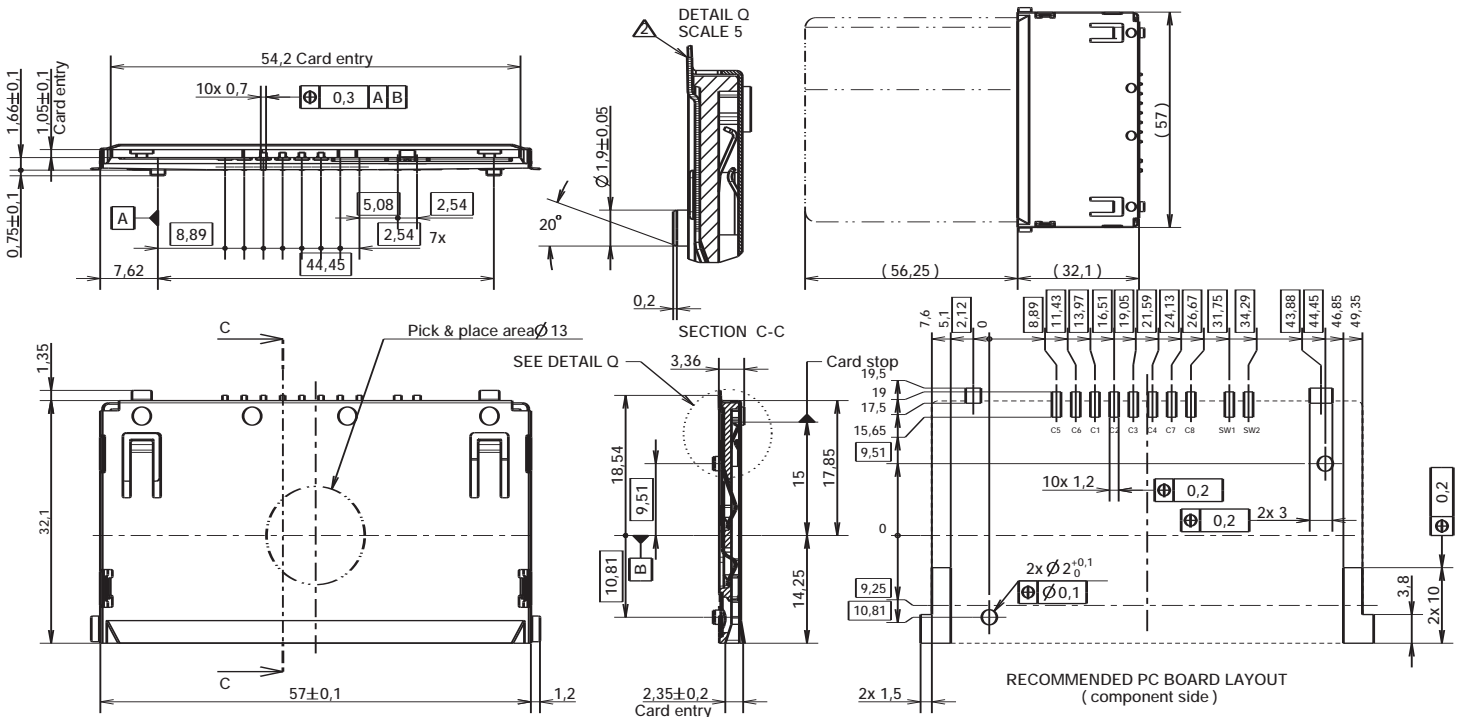
CCM01 MK5 Series

CCM01-2523 LFT T25 Plastic cover, long tails, metal pegs



Full Size

CCM01-2614 LFT T25 Metal cover, long tails, no ESD protection



Dimensions are shown in mm
Specifications and dimensions subject to change

www.ck-components.com