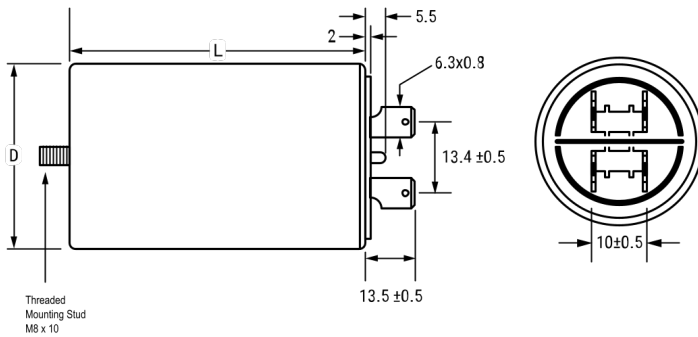


Double Faston



Click [here](#) for the 3D model.

Dimensions

D	35mm +1mm
L	94.5mm +/-2mm

Packaging Specifications

Mounting	Bolt-M8x26
Packaging	Bulk, Bag

General Information

Series	C27
Dielectric	Film/Foil Polypropylene
Style	Can
Description	Plastic Case and Cover, Ultra Sonically Welded Seal
Features	Ultra Sonically Welded Seal, Safety Class P0, UL_94 V0 Disk
RoHS	Yes
Lead	Fast On (2+2)
Qualifications	UL, VDE, UL (Construction Only), UL_94 V0 Disk
AEC-Q200	No
Component Weight	86.37 g

Specifications

Capacitance	25 uF
Capacitance Tolerance	5%
Voltage AC	450 VAC
Temperature Range	-25/+85°C
Rated Temperature	85°C
Max dV/dt	15 V/us