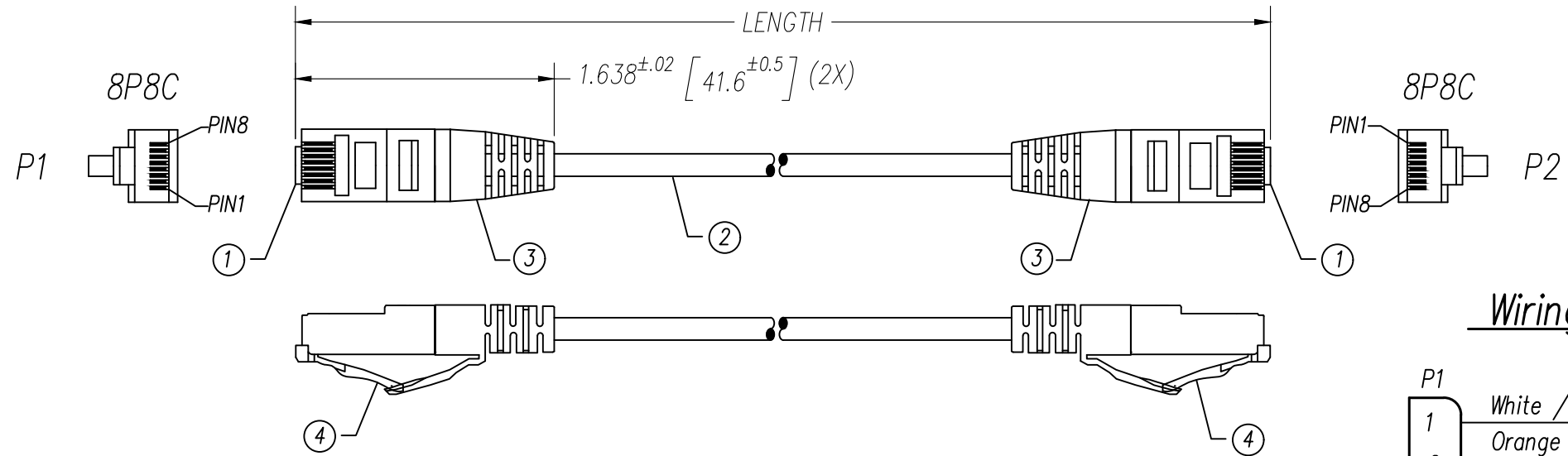


DATE	REV	ECN	APP'D. BY
11/22/21	AO	11896	AB
09/13/22	A1	12042	GWL



Notes:

- 1) 8P8C MODULAR PLUG, GOLD PLATING 50μ" ON CONTACTS,
- 2) CABLE CONSTRUCTION:
 - 4 TWISTED PAIRS MINI CAT. 6 28AWG UTP, OD 3.6MM,
 - PVC JACKET
- 3) TRANSPARENT BOOT (OD 4.5MM)
- 4) SNAGLESS STRAIN RELIEF
- 5) EACH CABLE ASSEMBLY TO BE INDIVIDUALLY BAGGED.
- 6) 100% TRANSMISSION TESTED FOR PERFORMANCE.
- 7) MARKING:
 (UL) E305668 TYPE CM 28AWG 75°C C(UL) E305668
 CM 28AWG 75°C ETL VERIFIED ANSI/TIA-568.2-D
 MINI UTP CAT. 6 RoHS COMPLIANCE MSL BATCH NO.
- 8) BLUE IS THE STANDARD CABLE COLOR. OTHER LISTED COLORS MAY HAVE A MINIMUM ORDER QUANTITY.

P/N Key:

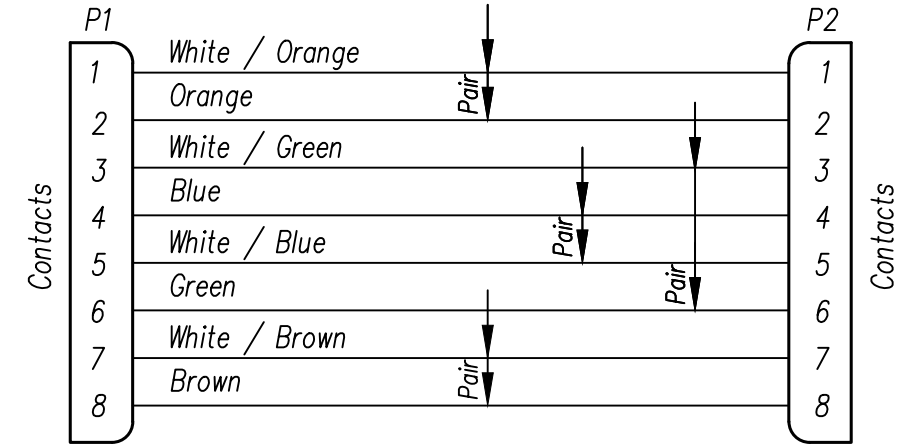
BC-R6UyxxxF

UOM
F = Feet

Color
 E = Blue (Standard)
 K = Black
 N = Green
 G = Gray
 R = Red
 Y = Yellow
 W = White
 P = Purple
 O = Orange

Length		Tolerance
XXX	Feet	Inch
000 ~ 003	0 ~ 3	± .8
004 ~ 006	4 ~ 6	± 1.2
007 ~ 050	7 ~ 50	± 1.6

Wiring Map: 568B Standard



Example Part Numbers

P/N	Color	Length
BC-R6UE001F	Blue	1'
BC-R6UE010F	Blue	10'
BC-R6UE015F	Blue	15'

For Part Numbers Not Shown Follow Part Number Key Format

ASSEMBLY FORMAT REV. 6/3/05



THIRD ANGLE PROJECTION 		206 Van Vorst Street Jersey City, NJ 07302 +1 201 432 0463 http://www.belfuse.com	
DO NOT SCALE DRAWING DRAWING IS SUBJECT TO CHANGE WITHOUT NOTICE DIMENSIONS: INCHES [METRIC] UNLESS OTHERWISE SPECIFIED TOLERANCES ARE ±.005 [0.13] ANGLES ARE ± 1°		TITLE: BEL PATCHCORD ASSEMBLY, C6 U/UTP, 28 AWG	
SHEET NO. 1 OF 1	THIS DRAWING AND THE SUBJECT MATTER SHOWN THEREON ARE CONFIDENTIAL AND THE PROPRIETARY PROPERTY OF BEL FUSE, INC. AND SHALL NOT BE REPRODUCED, COPIED, OR USED IN ANY MANNER WITHOUT PRIOR WRITTEN CONSENT OF BEL FUSE, INC.	DRN BY: GWL	DATE 11/17/21
		APPD BY: AB	DATE 11/22/21
		DWG NO. CT999272	REV. A1