

LAYOUT SHOWN AS EXAMPLE

Keying Shown as example

CHARACTERISTICS

- Standard : Based on MIL-DTL-38999 Series III
- Shell Material : Stainless Steel
- Shell Plating : Nickel
- Insulator : Thermoplastic
- Contacts : Copper Alloy
- Seals & Grommet : Silicon Elastomer
- Contact Plating : Gold over copper Alloy 0.8µm minimum
- Durability : 500 Mating cycles
- Delivered without Souriau contacts
- Temperature Range : -65°C to +200°C
- Salt Spray : 500 hours
- Mass : 67.5 g ± 10%

Connector dimension	
Dim	Nominal
P	3.25±0.2
PP	4.93±0.2
R1	29.36
R2	26.97
S	36.5±0.3
V	20.83+0/-1.25
W	2.1/2.5
Z	31.5 Max
VV THREAD	M28x1-6g

SOURIAU shall not be liable for any non-conformity or damage due to a use of the Products which does not comply with the Specifications issued by either of the Parties or by a third party (professional recommendation, technical notice.)

Country	Jurisdiction & Control List
FR	Not Listed

PN: 8D019S32SEL

A	08-10-2016	First Release	
ISS	DATE	Latest modification - by	MOD N°
Designed By:		Date:	CUSTOMER DRAWING

TITLE Stainless Steel Receptacle 8D series

SCALE		General linear Tolerances: ±--	NPRDS / PROJECT
NA			859

SOURIAU WWW.SOURIAU.COM

This document is the property of SOURIAU it must not be reproduced or communicated without permission

FORMAT	SOURIAU DRG N° 8D019S32SEL-C		SHEET
A3			1/2

BASIC SERIES: 8D 0 - 19 S 32 S E L

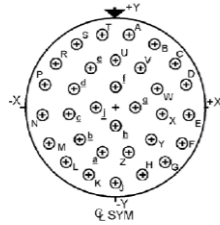
SHELL TYPE : Square Flange Receptacle Delivered W/O Contacts

CONTACT TYPE : Standard Crimp Contact ORIENTATION : E

SHELL SIZE : 19 CONTACT TYPE : SOCKET(500 Matings)

PLATING : S = Nickel CONTACT LAYOUT : 19-32

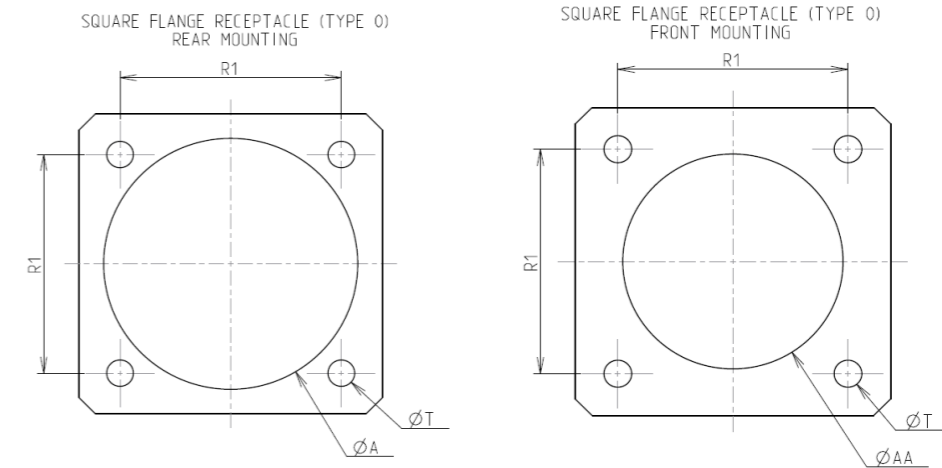
Contact Layout



Contacts (insert arrangement 19-32)					
Contact position ID	Contact location		Contact position ID	Contact location	
	X-axis (mm)	Y-axis (mm)		X-axis (mm)	Y-axis (mm)
A	+066 (1.68)	+353 (8.97)	T	-066 (1.68)	+353 (8.97)
B	+189 (4.80)	+305 (7.75)	U	+000 (0.00)	+230 (5.84)
C	+286 (7.26)	+217 (5.51)	V	+124 (3.15)	+193 (4.90)
D	+345 (8.79)	+098 (2.49)	w	+209 (5.31)	-095 (2.41)
E	+357 (9.07)	-033 (0.84)	X	+228 (5.79)	-033 (0.84)
F	+321 (8.15)	-160 (4.06)	Y	+174 (4.42)	-151 (3.84)
G	+242 (6.15)	-265 (6.73)	Z	+065 (1.65)	-221 (5.61)
H	+130 (3.30)	-335 (8.51)	a	-065 (1.65)	-221 (5.61)
J	-000 (0.00)	-359 (9.12)	b	-174 (4.42)	-151 (3.84)
K	-130 (3.30)	-335 (8.51)	c	-228 (5.79)	-033 (0.84)
L	-242 (6.15)	-265 (6.73)	d	-209 (5.31)	+095 (2.41)
M	-321 (8.15)	-160 (4.06)	e	-124 (3.15)	+193 (4.90)
N	-357 (9.07)	-033 (0.84)	f	+000 (0.00)	+096 (2.44)
P	-345 (8.76)	+098 (2.49)	g	+096 (2.44)	+000 (0.00)
R	-286 (7.26)	+217 (5.51)	h	+000 (0.00)	-096 (2.44)
S	-189 (4.80)	+305 (7.75)	j	-096 (2.44)	+000 (0.00)

Shell size	Arrangement no.	Number of contacts	Size contacts	Service rating	Contact location	Supersedes
19	-32	32	20	I	All	MS20054-32

Panel Cutout



Dim	Nominal
ØA	32.96 min
ØAA	28.98 min
R1	29.36
ØT	3.25 ±0.13

SOURIAU shall not be liable for any non-conformity or damage due to a use of the Products which does not comply with the Specifications issued by either of the Parties or by a third party (professional recommendation, technical notice.)

Country	Jurisdiction & Control List
FR	Not Listed

PN: 8D019S32SEL

A	08-10-2016	First Release	
ISS	DATE	Latest modification - by	MOD N°
Designed By:		Date:	CUSTOMER DRAWING
TITLE	Stainless Steel Receptacle 8D series		
SCALE		General linear Tolerances:	NPRDS / PROJECT
NA		±--	859
SOURIAU	WWW.SOURIAU.COM		This document is the property of SOURIAU it must not be reproduced or communicated without permission
FORMAT	SOURIAU DRG N° 8D019S32SEL-C		SHEET 2/2