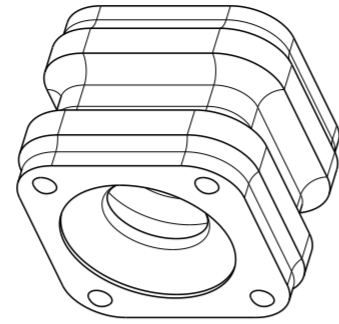
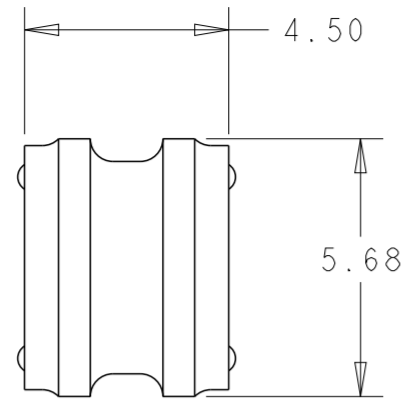
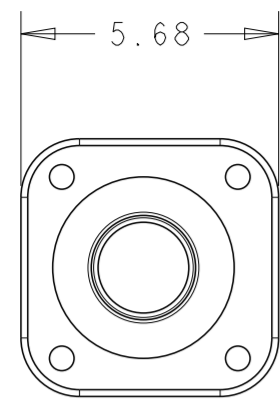
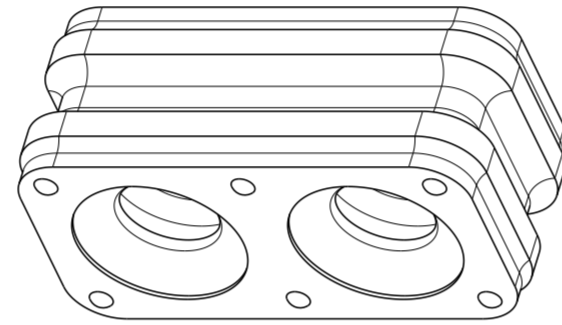
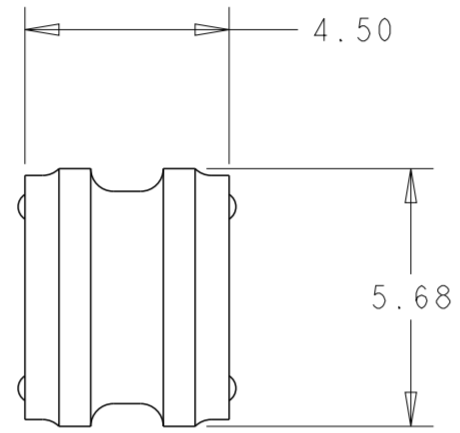
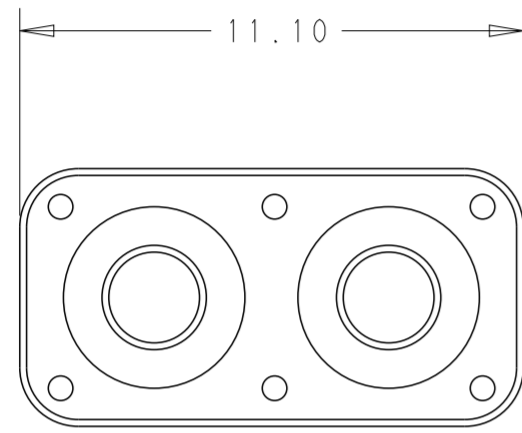


THIS DRAWING IS UNPUBLISHED. RELEASED FOR PUBLICATION 2018  
 © COPYRIGHT 2018 BY - ALL RIGHTS RESERVED.

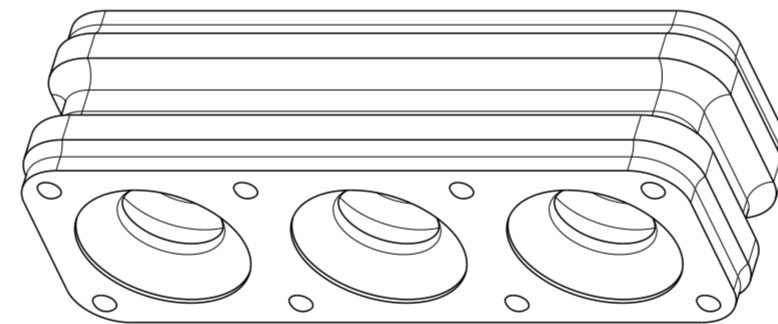
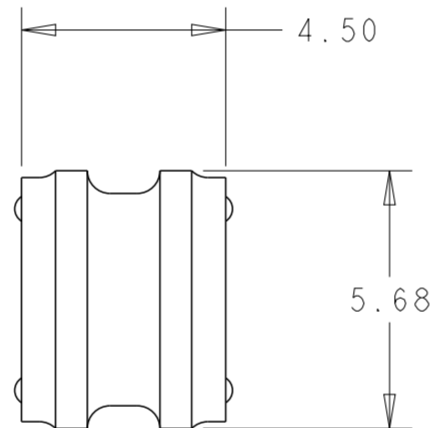
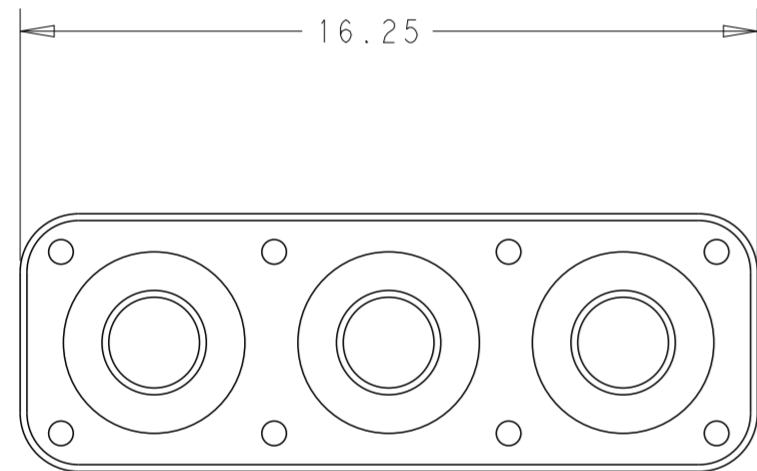
| REVISIONS |     |                            |           |        |
|-----------|-----|----------------------------|-----------|--------|
| P         | LTR | DESCRIPTION                | DATE      | APVD   |
|           | A   | RELEASED PER ECO-19-016370 | 25OCT2019 | BKW DS |
|           | A1  | REVISED PER ECR-20-100211  | 08AUG2020 | JP VS  |
|           | A2  | REVISED PER ECR-22-126000  | 07JAN2022 | SS VS  |
|           | A3  | REVISED PER ECR-22-146203  | 18JUL2022 | AVN VS |



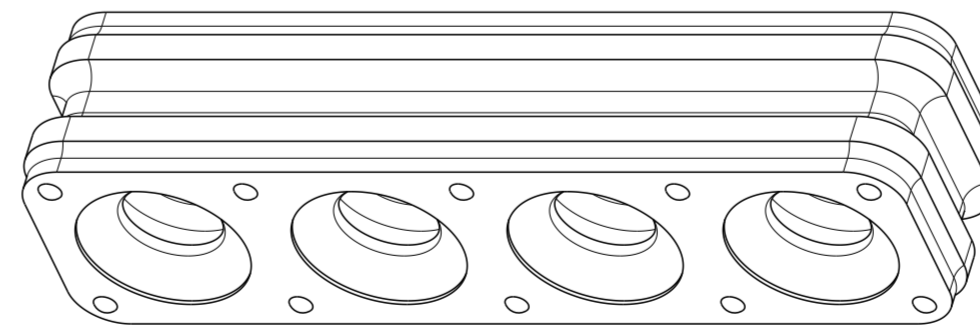
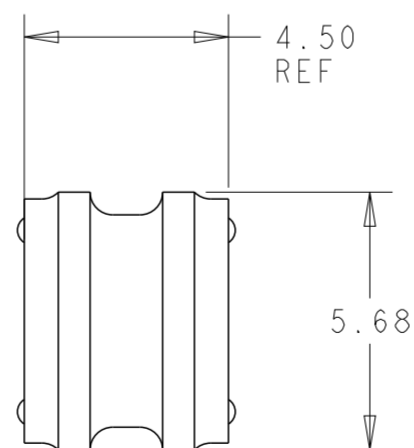
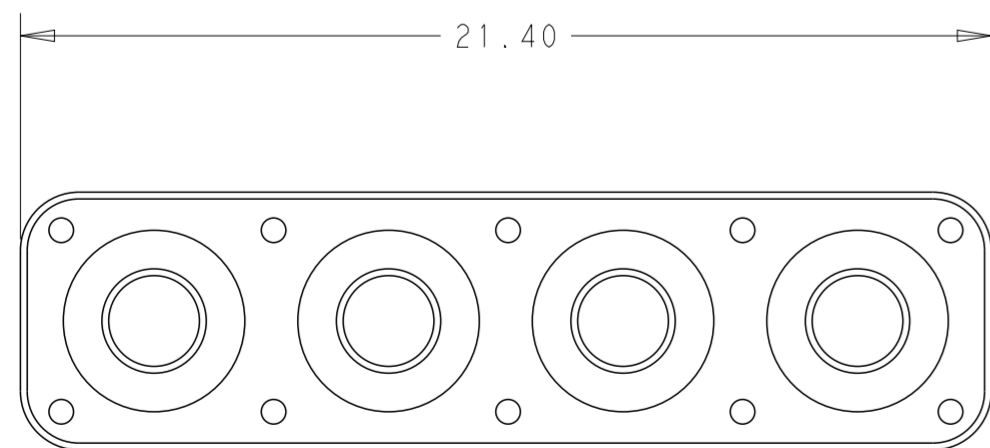
1\*1 POSITION



1\*2 POSITION



1\*3 POSITION



1\*4 POSITION

1 MATERIAL: SILICONE RUBBER, INHERENTLY LUBRICATED  
 COLOR - SEE CHART

2 SEE CHART FOR INSULATION OD RANGE

3 MATING CONNECTOR P/N'S:  
 CAP HSG - \*-2325350-\*/\*-2325043-\*/\*-2336231-\*/  
 \*-2337219-\*/\*-2345729-1  
 PLUG HSG - \*-2332040-\*/\*-2336229-\*/\*-2345728-1  
 CONTACTS - 2329907-\*/2329908-\*/2329911-\*/2329914-\*/  
 2329916-\*/2329917-\*/  
 BACK COVER (OPTIONAL) - 2324614-\*/2340648-6

4 PRELIMINARY PART - NOT RELEASED FOR PRODUCTION  
 THIS PRODUCT HAS NOT COMPLETED QUALIFICATION TESTING

5 THIS PRODUCT HAS NOT COMPLETED QUALIFICATION TESTING

|         |                       |           |               |
|---------|-----------------------|-----------|---------------|
| GREEN   | 1.30-2.40             | 1*4       | 4 1-2325349-4 |
| GREEN   | 1.30-2.40             | 1*3       | 5 1-2325349-3 |
| GREEN   | 1.30-2.40             | 1*2       | 4 1-2325349-2 |
| GREEN   | 1.30-2.40             | 1*1       | 4 1-2325349-1 |
| BLUE    | 2.45-3.60             | 1*4       | 5 2325349-4   |
| BLUE    | 2.45-3.60             | 1*3       | 2325349-3     |
| BLUE    | 2.45-3.60             | 1*2       | 2325349-2     |
| BLUE    | 2.45-3.60             | 1*1       | 2325349-1     |
| COLOR 1 | INSULATION OD RANGE 2 | POSITIONS | PART NUMBER   |

THIS DRAWING IS A CONTROLLED DOCUMENT.

|             |  |                              |  |
|-------------|--|------------------------------|--|
| DIMENSIONS: | TOLERANCES UNLESS OTHERWISE SPECIFIED: | DWN B. WEAVER 15 JUN 2018    | TE Connectivity  |
| mm          | 0 PLC ±                                | CHK S. FERNANDES 15 JUN 2018 |  |
|             | 1 PLC ±                                | APVD C. YI 15 JUN 2018       |  |
|             | 2 PLC ±0.50                            | PRODUCT SPEC 108-143081      |  |
|             | 3 PLC ±                                | APPLICATION SPEC 114-143082  | NAME GANG SEAL, POWER VERSA-LOCK                             |
|             | 4 PLC ±                                | WEIGHT -                     | SIZE A2 CAGE CODE 00779 DRAWING NO C-2325349 RESTRICTED TO - |
| MATERIAL 1  | FINISH -                               | CUSTOMER DRAWING             | SCALE 6:1 SHEET 1 OF 1 REV A3                                |