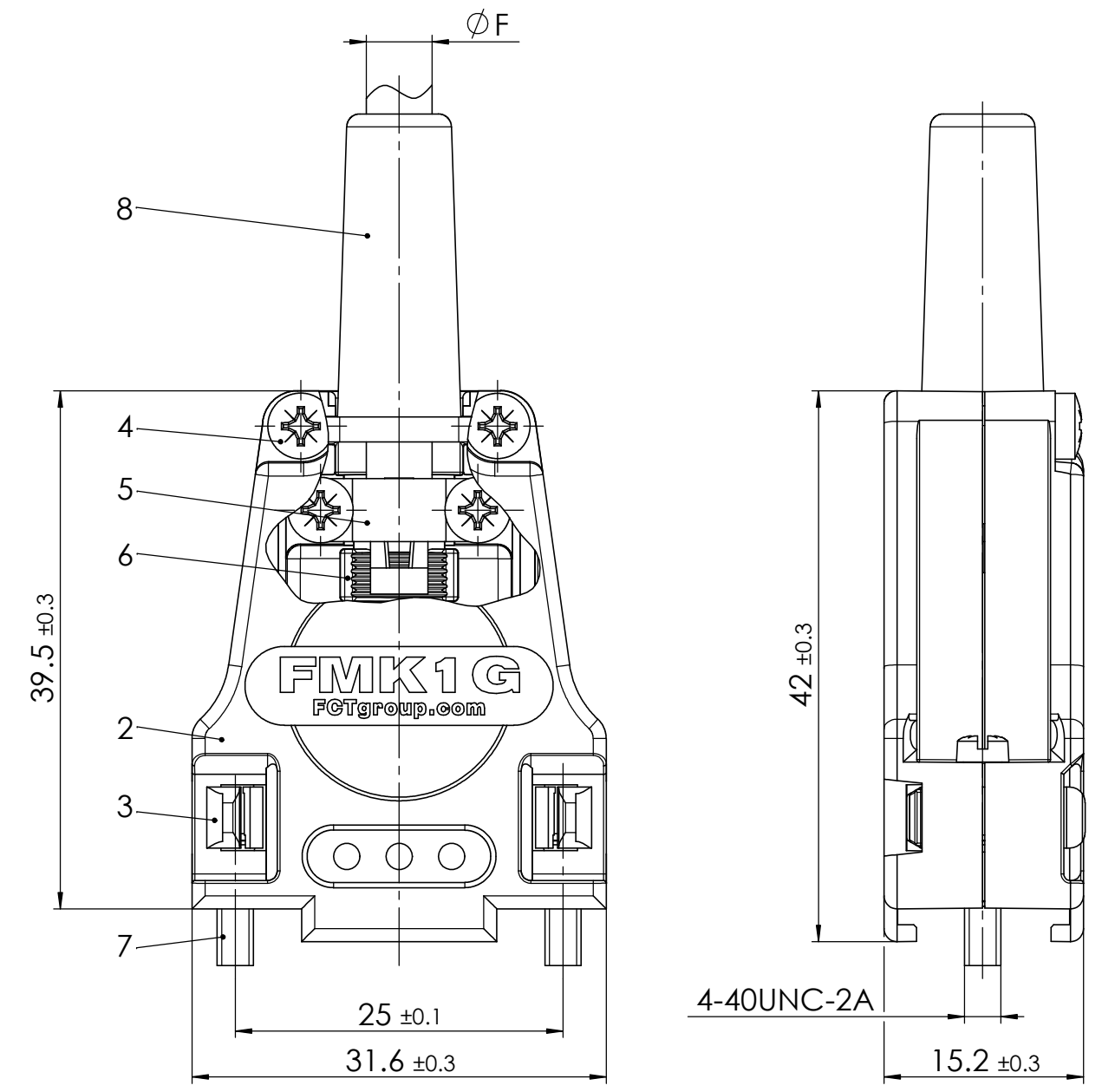


RoHS compliant

max. torque are 40 Ncm
Part-No. 8, 9 and 10 not mounted

ØF1 = Cable diameter without rubber bushing ø3 - ø9.5mm
ØF2 = Cable diameter with rubber bushing max. ø6.5mm



No.	St.	Part	Type	Description/Material	Surface plating/Colour/Class
10	1	High power contact	FMP006S204		AuroPur / 20A / AWG 12-16
9	1	High power contact	FMP006P204		AuroPur / 20A / AWG 12-16
8	1	Rubber bushing	TPE		black
7	2	Locking screw	FVS1/5-K1163 4-40 / Steel		nickel plated
6	1	Strain relief	ABS		nickel plated
5	1	Cable clamp	Steel		tin plated
4	4	Screw	Case hardened steel		zinc plated
3	2	Catch spring	PEI		black
2	1	Hood	FMK1G / Zinc die-cast		nickel plated
1	1	Mixed-Layout Connector	F2W2SC-K121		

	Measurement without tolerance occ. to ISO 2768-m	SCALE	TITLE
		2:1	Hood Connector Set
	DRAWN	ameyerrichte	
CHECKED	BWittek		
	14-10-2016		



DWG.NO.	REV.
FMK1G-2W2SCA-5934	1
REPLACEMENT FOR:	PAGES
	1

COMMENT: ALL RIGHTS ARE RESERVED BY US FOR THIS DRAWING. WITHOUT OUR PRIOR CONSENT, IT MAY NEITHER BE DUBLICATED NOR MADE AVAILABLE TO A THIRD PARTY. AND IT ALSO MAY NOT BE IMPROPERLY USED BY THE RECEIVER, OR A THIRD PARTY.