

Flush-type connector - SACC-DSI-MINFS-3CON-M26 PCB - 1457830

Please be informed that the data shown in this PDF Document is generated from our Online Catalog. Please find the complete data in the user's documentation. Our General Terms of Use for Downloads are valid (<http://phoenixcontact.com/download>)



Sensor/actuator flush-type socket, 3-pos., 7/8", PCB mounting with M26 fastening thread



Key Commercial Data

Packing unit	1 pc
GTIN	
GTIN	4046356616942

Technical data

Ambient conditions

Ambient temperature (operation)	-40 °C ... 85 °C (Socket)
Degree of protection	IP67

General

Rated current at 40°C	12 A
Rated voltage	250 V
Number of positions	3
Insulation resistance	≥ 100 MΩ
Coding	A - standard
Status display	No
Overvoltage category	II
Degree of pollution	3
Connection method	Solder pins
Mounting type	PCB mounting M26

Material

Flammability rating according to UL 94	HB
Contact material	CuZn
Contact surface material	Au

Flush-type connector - SACC-DSI-MINFS-3CON-M26 PCB - 1457830

Technical data

Material

Contact carrier material	PUR
Material, knurls	Zinc die-cast, nickel-plated
Sealing material	Viton

Standards and Regulations

Connection in acc. with standard	CUL
Flammability rating according to UL 94	HB

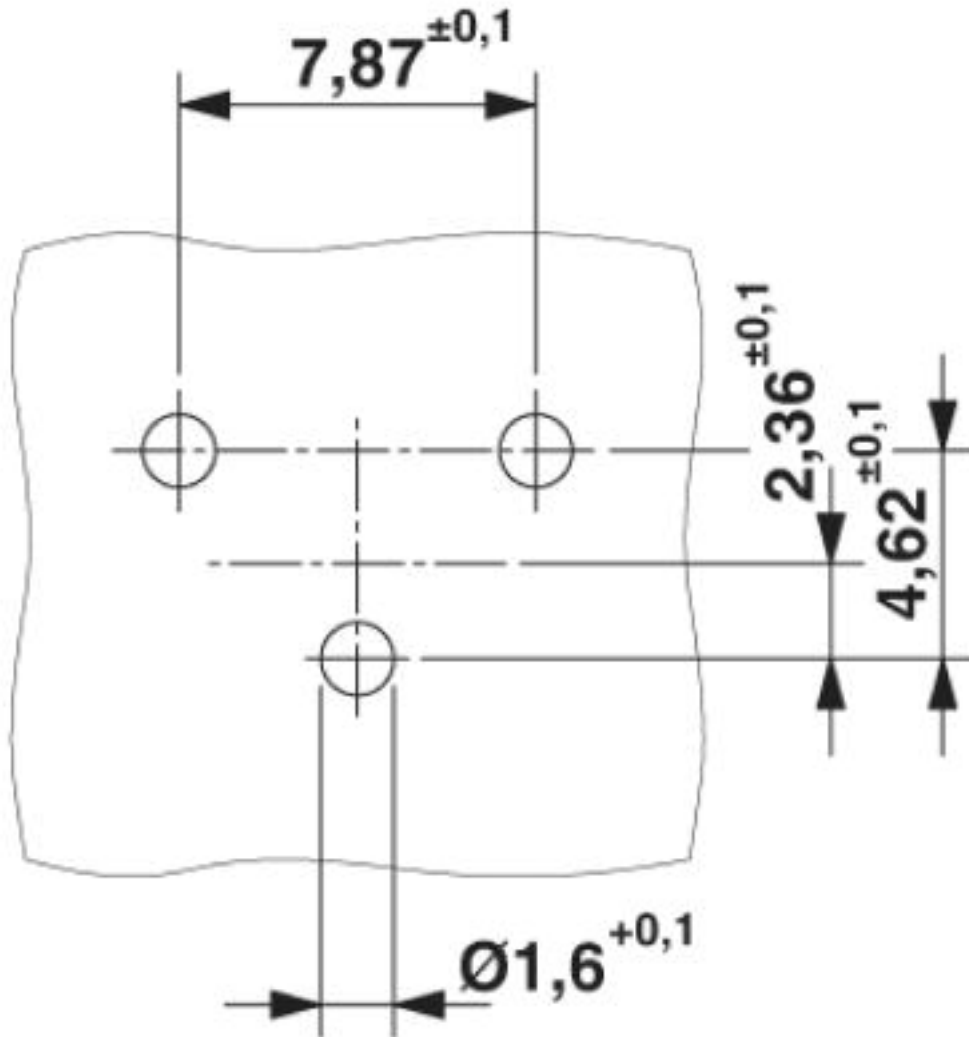
Environmental Product Compliance

China RoHS	Environmentally Friendly Use Period = 50
	For details about hazardous substances go to tab "Downloads", Category "Manufacturer's declaration"

Drawings

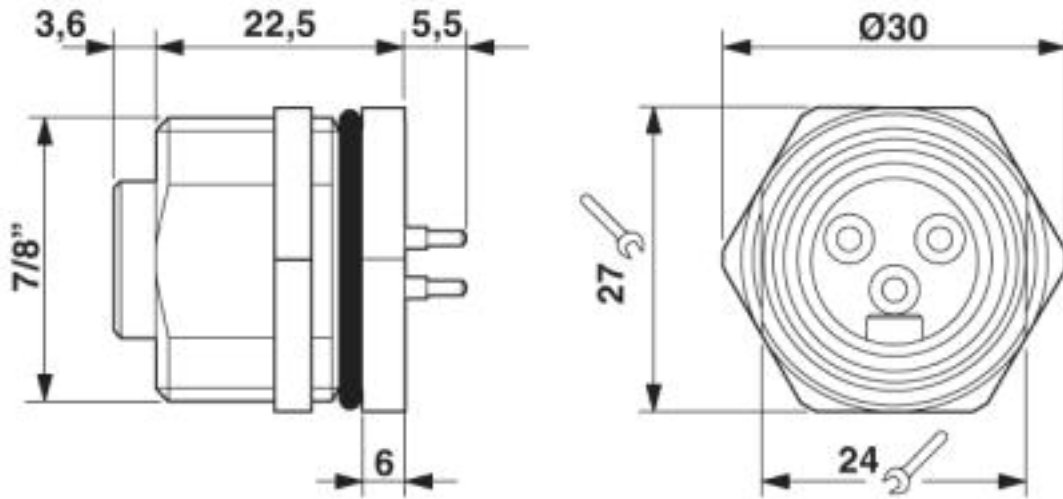
Flush-type connector - SACC-DSI-MINFS-3CON-M26 PCB - 1457830

Drilling diagram



Flush-type connector - SACC-DSI-MINFS-3CON-M26 PCB - 1457830

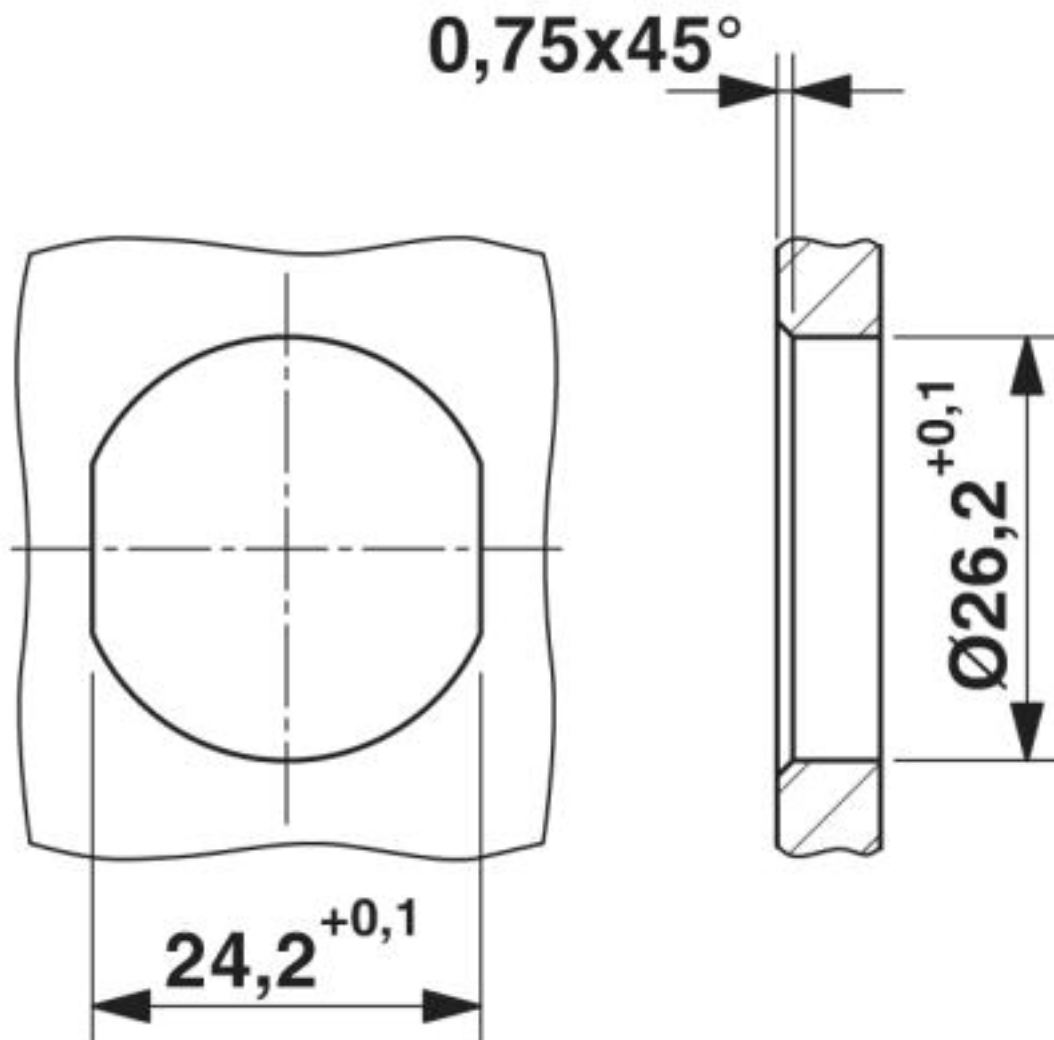
Dimensional drawing



7/8" flush-type socket

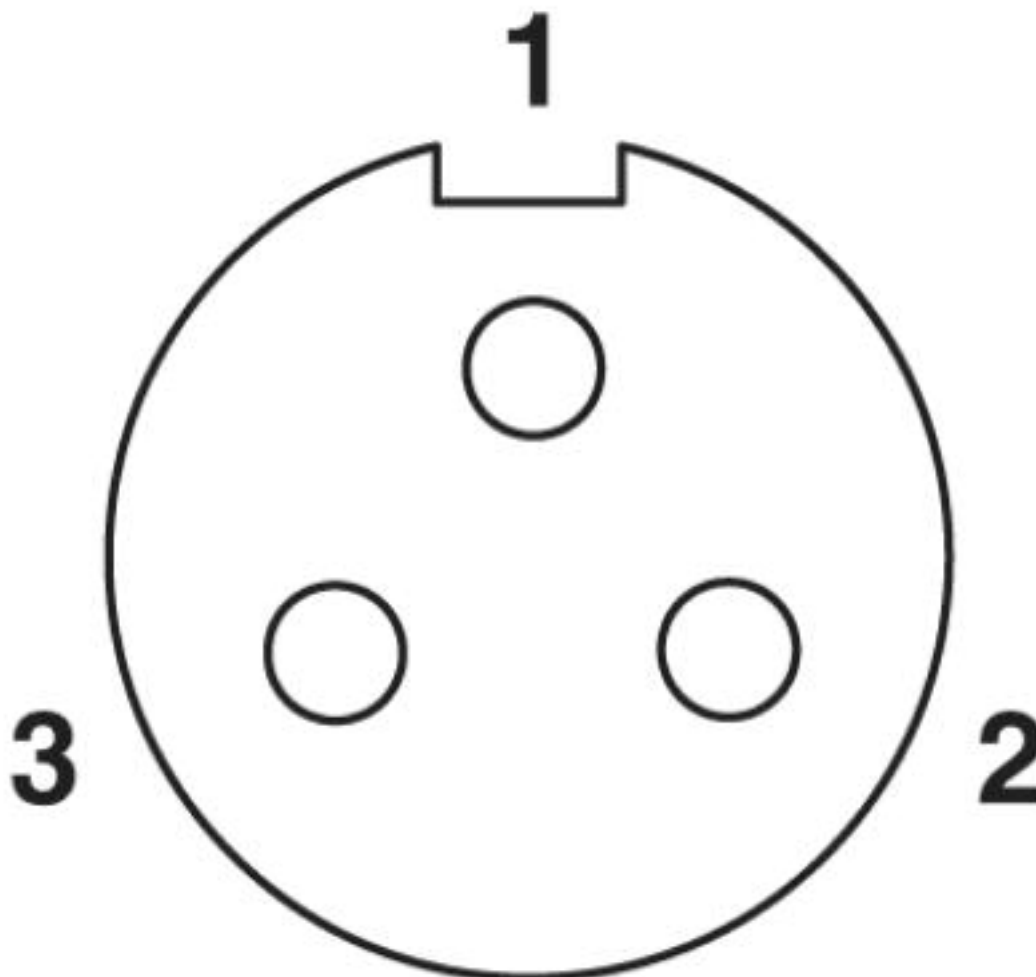
Flush-type connector - SACC-DSI-MINFS-3CON-M26 PCB - 1457830

Dimensional drawing



Flush-type connector - SACC-DSI-MINFS-3CON-M26 PCB - 1457830

Schematic diagram



Connector pin assignment

Phoenix Contact 2019 © - all rights reserved
<http://www.phoenixcontact.com>

PHOENIX CONTACT GmbH & Co. KG
Flachsmarktstr. 8
32825 Blomberg
Germany
Tel. +49 5235 300
Fax +49 5235 3 41200
<http://www.phoenixcontact.com>