

7	LABEL	PLASTIC FILM	BLACK/YELLOW
6	INSERT	PUR	BLACK
5	PIN CONTACT	COPPER ALLOY	GOLD PLATED
4	COUPLING NUT MA SW13	BRASS	NICKEL PLATED
3	OVERMOLD	PUR	BLACK
2	RJ45 PLUG	N/A	BLACK
1	CABLE	TPU JACKET	GREEN
ITEM	DESCRIPTION	MATERIAL	FINISH

CHART 1

1201080521	E16A06012M010
1201080522	E16A06012M020
1201080523	E16A06012M050
1201080524	E16A06012M100

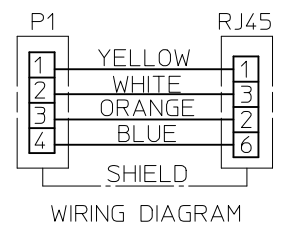


Table of length tolerances

Over (m)	Up to and including (m)	Tolerance (mm)(+)
0	1	+40/0
1	5	+60/0
5	10	+80/0
10	20	+140/0
20	30	+160/0
30	-	1 % of length

NOTES:

- 1) MATERIAL: SEE TABLE
- 2) FINISHES: SEE TABLE
- 3) CABLE: SHIELDED TPU
- 4) ELECTRICAL DATA:
ACCORDING TO CAT5e ETHERNET STANDARD
MAX. VOLTAGE: 30V
MAX. CURRENT 1.5A
- 5) ENVIRONMENTAL:
PROTECTION IP67
TEMPERATURE RANGE: SEE SHEET 2
- 6) WRAP LABEL IS MARKED WITH P/N, DATE CODE, VOLTAGE & AMPERAGE.
- 7) ASSEMBLY IS RoHS COMPLIANT.

ENTER DESCRIPTION EC NO: IPG2015-0596 DRWN: SCHALAI DOPOU 2014/09/30 CHK'D: FSCHAFHAUSER 2014/10/15 APPR: CBURGER 2014/10/16	QUALITY SYMBOLS 	GENERAL TOLERANCES (UNLESS SPECIFIED)		DIMENSION STYLE IN/MM	SCALE 1:2	DESIGN UNITS INCH	FIRST ANGLE PROJECTION
		4 PLACES ± --- ± --- 3 PLACES ± --- ± --- 2 PLACES ± 0.05 ± --- 1 PLACE ± 0.3 ± --- 0 PLACE ± 0.5 ± ---	mm INCH	DRAWN BY DATE SCHALAI DOPOU 2014/09/30	TITLE CSE M12 ETH 4P DC MA STR RJ45 STR WSOR XM		
		ANGULAR ± 1 ° DRAFT WHERE APPLICABLE MUST REMAIN WITHIN DIMENSIONS	CHECKED BY DATE FSCHAFHAUSER 2014/10/15	APPROVED BY DATE CBURGER 2014/10/16	MATERIAL NO. SEE CHART 1		
		DOCUMENT NO. SD-120108-074	SHEET NO. 1 OF 2				

molex

THIS DRAWING CONTAINS INFORMATION THAT IS PROPRIETARY TO MOLEX INCORPORATED AND SHOULD NOT BE USED WITHOUT WRITTEN PERMISSION

F

E

D

C

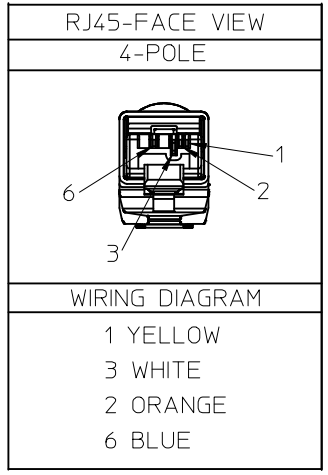
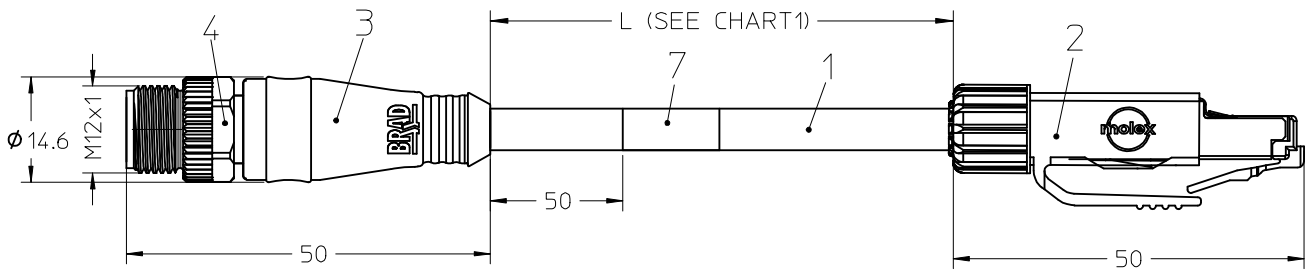
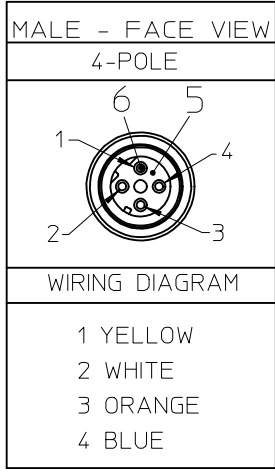
B

A

CABLE TYPE	WIRE GAUGE	CABLE JACKET	UL	CSA	static	flexing	drag chain tested	other
CAB-12 4P	0.34mm ²	TPU GREEN	STYLE 21215	yes	-40°C to +80°C >5x0.D	-20°C to +60°C >15x0.D	2 mio cycles	WELD SLAG RESISTANCE

FOR CABLE SPECIFICATION SEE 1202098313 / SD-120209-007

ENTER DESCRIPTION EC NO: IPG2015-0596 DRWNS: SCHALADPOU 2014/09/30 CHKD: FSCHAFHAUSER 2014/10/15 APPR: CBURGER 2014/10/16 REV DESCRIPTION	QUALITY SYMBOLS	GENERAL TOLERANCES (UNLESS SPECIFIED)	DIMENSION STYLE	SCALE	DESIGN UNITS	FIRST ANGLE PROJECTION	
	▽=0	mm INCH	IN/MM	1:2	INCH		
	◻=0	4 PLACES ± --- ± ---	DRAWN BY DATE	TITLE			
		3 PLACES ± --- ± ---	SCHALADPOU 2014/09/30	CSE M12 ETH 4P DC MA STR RJ45 STR WSOR XM			
		2 PLACES ± 0.05 ± ---	CHECKED BY DATE				
	1 PLACE ± 0.3 ± ---	FSCHAFHAUSER 2014/10/15					
	0 PLACE ± 0.5 ± ---	APPROVED BY DATE					
	ANGULAR ± 1 °	CBURGER 2014/10/16					
	DRAFT WHERE APPLICABLE MUST REMAIN WITHIN DIMENSIONS	MATERIAL NO.	-		DOCUMENT NO.	SHEET NO.	
		SIZE	THIS DRAWING CONTAINS INFORMATION THAT IS PROPRIETARY TO MOLEX INCORPORATED AND SHOULD NOT BE USED WITHOUT WRITTEN PERMISSION				
1		A3			SD-120108-074	2 OF 2	



7	LABEL	PLASTIC FILM	BLACK/YELLOW
6	INSERT	PUR	BLACK
5	PIN CONTACT	COPPER ALLOY	GOLD PLATED
4	COUPLING NUT MA SW13	BRASS	NICKEL PLATED
3	OVERMOLD	PUR	BLACK
2	RJ45 PLUG	N/A	BLACK
1	CABLE	TPU JACKET	GREEN
ITEM	DESCRIPTION	MATERIAL	FINISH

CHART 1

1201080521	E16A06012M010
1201080522	E16A06012M020
1201080523	E16A06012M050
1201080524	E16A06012M100

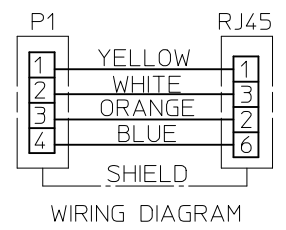


Table of length tolerances

Over (m)	Up to and including (m)	Tolerance (mm)(+)
0	1	+40/0
1	5	+60/0
5	10	+80/0
10	20	+140/0
20	30	+160/0
30	-	1 % of length

NOTES:

- 1) MATERIAL: SEE TABLE
- 2) FINISHES: SEE TABLE
- 3) CABLE: SHIELDED TPU
- 4) ELECTRICAL DATA:
ACCORDING TO CAT5e ETHERNET STANDARD
MAX. VOLTAGE: 30V
MAX. CURRENT 1.5A
- 5) ENVIRONMENTAL:
PROTECTION IP67
TEMPERATURE RANGE: SEE SHEET 2
- 6) WRAP LABEL IS MARKED WITH P/N, DATE CODE, VOLTAGE & AMPERAGE.
- 7) ASSEMBLY IS RoHS COMPLIANT.

ENTER DESCRIPTION EC NO: IPG2015-0596 DRWN: SCHALAI DOPOU 2014/09/30 CHK'D: FSCHAFHAUSER 2014/10/15 APPR: CBURGER 2014/10/16	QUALITY SYMBOLS 	GENERAL TOLERANCES (UNLESS SPECIFIED)		DIMENSION STYLE IN/MM	SCALE 1:2	DESIGN UNITS INCH	FIRST ANGLE PROJECTION
		4 PLACES ± --- ± --- 3 PLACES ± --- ± --- 2 PLACES ± 0.05 ± --- 1 PLACE ± 0.3 ± --- 0 PLACE ± 0.5 ± ---	mm INCH	DRAWN BY DATE SCHALAI DOPOU 2014/09/30	TITLE CSE M12 ETH 4P DC MA STR RJ45 STR WSOR XM		
		ANGULAR ± 1 °	CHECKED BY DATE FSCHAFHAUSER 2014/10/15	APPROVED BY DATE CBURGER 2014/10/16	molex		
		DRAFT WHERE APPLICABLE MUST REMAIN WITHIN DIMENSIONS	MATERIAL NO.	DOCUMENT NO.	SHEET NO.		
1	REV	SEE CHART 1	SD-120108-074	1 OF 2	THIS DRAWING CONTAINS INFORMATION THAT IS PROPRIETARY TO MOLEX INCORPORATED AND SHOULD NOT BE USED WITHOUT WRITTEN PERMISSION		

F

E

D

C

B

A

CABLE TYPE	WIRE GAUGE	CABLE JACKET	UL	CSA	static	flexing	drag chain tested	other
CAB-12 4P	0.34mm ²	TPU GREEN	STYLE 21215	yes	-40°C to +80°C >5x0.D	-20°C to +60°C >15x0.D	2 mio cycles	WELD SLAG RESISTANCE

FOR CABLE SPECIFICATION SEE 1202098313 / SD-120209-007

ENTER DESCRIPTION EC NO: IPG2015-0596 DRWNS: SCHALADPOU 2014/09/30 CHKD: FSCHAFHAUSER 2014/10/15 APPR: CBURGER 2014/10/16 REV DESCRIPTION	QUALITY SYMBOLS	GENERAL TOLERANCES (UNLESS SPECIFIED)	DIMENSION STYLE	SCALE	DESIGN UNITS	FIRST ANGLE PROJECTION	
	▽=0	mm INCH	IN/MM	1:2	INCH	☐	
	◻=0	4 PLACES ± --- ± ---	DRAWN BY DATE	TITLE			
		3 PLACES ± --- ± ---	SCHALADPOU 2014/09/30	CSE M12 ETH 4P DC MA STR RJ45 STR WSOR XM			
		2 PLACES ± 0.05 ± ---	CHECKED BY DATE				
	1 PLACE ± 0.3 ± ---	FSCHAFHAUSER 2014/10/15					
	0 PLACE ± 0.5 ± ---	APPROVED BY DATE					
	ANGULAR ± 1 °	CBURGER 2014/10/16					
	DRAFT WHERE APPLICABLE MUST REMAIN WITHIN DIMENSIONS	MATERIAL NO.	-		DOCUMENT NO.	SHEET NO.	
		SIZE	THIS DRAWING CONTAINS INFORMATION THAT IS PROPRIETARY TO MOLEX INCORPORATED AND SHOULD NOT BE USED WITHOUT WRITTEN PERMISSION				
1		A3			SD-120108-074	2 OF 2	

