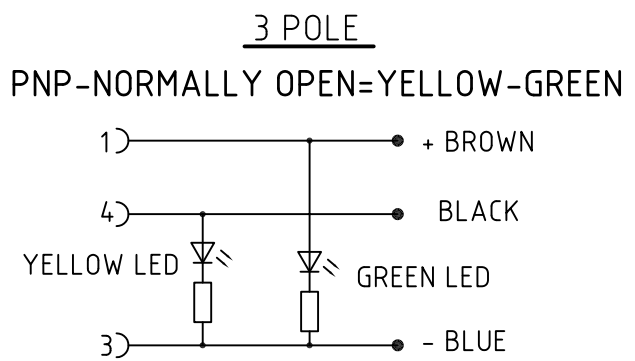
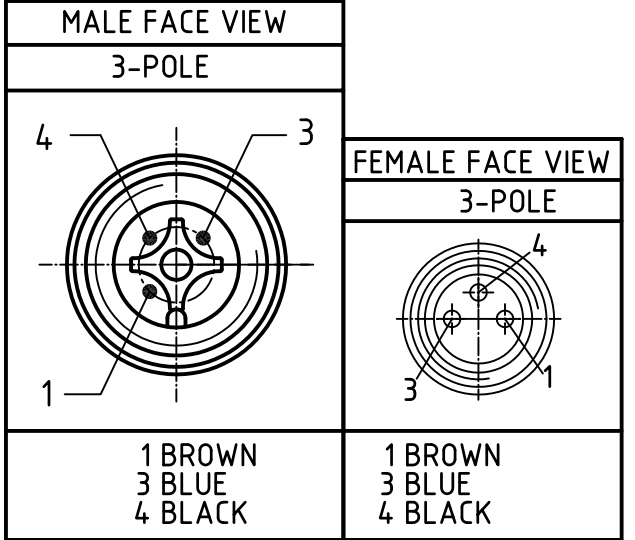


POLE	MATERIAL NUMBER	ENGINEERING NUMBER	FINISHED LENGHT IN/MM
3	1200878070	4830P7P03M006	1.97' +1.75" -0 [0.6M +44.5 -0]
3	1200875023	4830P7P03M010	3.28' +2.19" -0 [1.0M +55.6 -0]
3	1200875012	4830P7P03M020	6.56' +3.50" -0 [2.0M +88.9 -0]



CONNECTOR SPECIFICATION:	
VOLTAGE RATING	10-30V/DC
AMPERAGE RATING	3 AMPS
PROTECTION	IP68
OPERATING TEMPERATURE	-30°C TO +80°C
UL CERTIFICATIONS	UL listed, File #E152210
CSA CERTIFICATIONS	CSA CERTIFIED, File LR6837

ITEM	COMPONENT	MATERIAL	FINISH
1	INSERT	POLYURETHANE (PUR)	BLACK
2	CONTACT SOCKET	COPPER ALLOY	GOLD OVER NICKEL
3	COUPLING NUT	BRASS	NICKEL PLATED
4	MALE/OVERMOLD	TPU	YELLOW
4	FEMALE/OVERMOLD	PVC	CLEAR
5	O-RING	VITON	RED
6	CABLE 0.25mm <sup>2</sup> /24AWG, (COPPER STRANDING) 3 CONDUCT. 300V	JACKET: PUR/PVC	BLACK

DESCRIPTION EC NO.: WEU2010-0328 DRWN: REISSNER 2010/02/04 CHKD: FP APPR: NSTAUDIG 2010/02/11	QUALITY SYMBOLS ▽ = 0 ▽/C = 0	GENERAL TOLERANCES (UNLESS SPECIFIED) mm INCH 4 PLACES ±--- ±--- 3 PLACES ±--- ±--- 2 PLACES ±--- ±.01 1 PLACE ±0.3 ±--- ANGULAR ± --- °	DIMENSION STYLE IN/MM DRAWN BY DATE REISSNER 2010/02/04 CHECKED BY DATE FP 2010/02/04 APPROVED BY DATE NSTAUDIG 2010/02/10	SCALE 2:1 DESIGN UNITS METRIC THIRD ANGLE PROJECTION
	DRAFT WHERE APPLICABLE MUST REMAIN WITHIN DIMENSIONS		SEE TABLE	NC/MIC 3P F/M 90/ST AWG 24 PUR/PVC
	SIZE A3		THIS DRAWING CONTAINS INFORMATION THAT IS PROPRIETARY TO MOLEX INCORPORATED AND SHOULD NOT BE USED WITHOUT WRITTEN PERMISSION	
	MOLEX INCORPORATED DOCUMENT NO. SD-120087-034 SHEET NO. 1			