

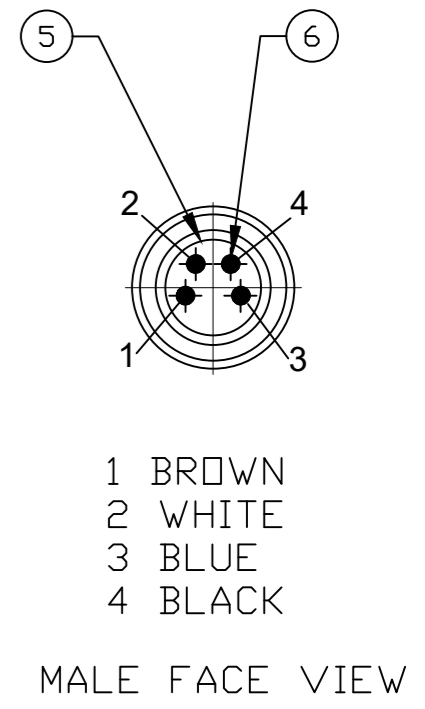
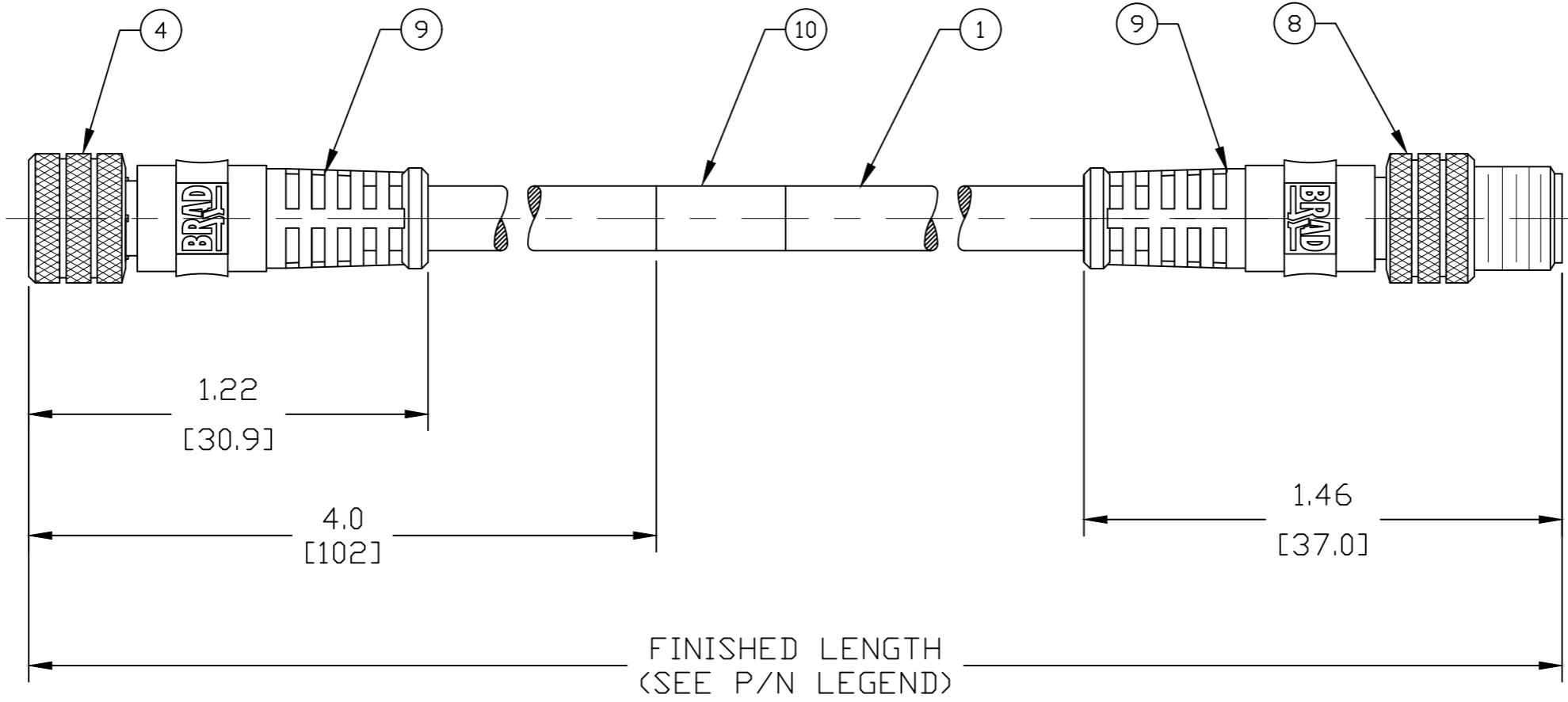
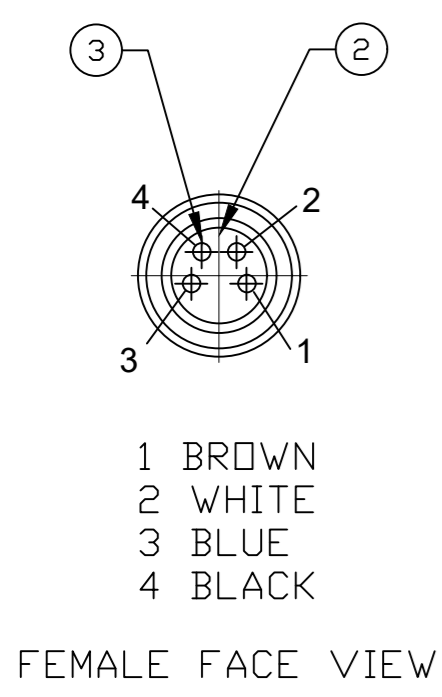
MATERIAL NUMBER	ENG. PART NO.	FINISHED LENGTH
1200868547	444030K05M006	2 FT 0 IN [0.6M]
1200870999	444030K05M010	3 FT 3 IN [1.0M]
1200868548	444030K05M020	6 FT 7 IN [2.0M]
1200871078	444030K05M030	9 FT 10 IN [3.0M]
1200870992	444030K05M050	16 FT 5 IN [5.0M]

PART NO. LEGEND
444030K05M010

↓
cable length
M005= 0.5 Meters
M010= 1 Meter
M100= 10 Meters

CABLE LENGTH TOLERANCES

>.3M [1FT]:	+19mm-0 [+ .75in-0]
.3 - .9M [1 - 3FT]:	+44.5mm-0 [+1.75in-0]
.9 - 1.8M [3 - 6FT]:	+55.6mm-0 [+2.19in-0]
1.8 - 3.7M [6 - 12FT]:	+88.9mm-0 [+3.50in-0]
3.7 - 7.3M [12 - 24FT]:	+165.1mm-0 [+6.50in-0]
7.3-14.6M [24 - 48FT]:	+317.5mm-0 [+12.50in-0]
14.6 - 30.5M [48-100FT]:	+622.3mm-0 [+24.50in-0]
OVER 30M [100FT]	+2% OF FINISHED LENGTH



ITEM	DESCRIPTION	MATERIAL	FINISH
9	WRAP LABEL	VINYL	BLACK/YELLOW
8	OVERMOLD	TPC	YELLOW
7	COUPLING NUT, MALE	BRASS	NICKEL PLATED
6	CONTACT PIN	COPPER ALLOY	GOLD PLATED
5	INSERT, MALE, 4P	PUR	BLACK
4	COUPLING NUT, FEM	BRASS	NICKEL PLATED
3	CONTACT SOCKET	COPPER ALLOY	GOLD PLATED
2	INSERT, FEMALE, 4P	PUR	BLACK
1	CABLE, 22AWG	TPE JACKET	YELLOW

- NOTES:**
1. MATERIAL: AS NOTED
 2. FINISH: AS NOTED
 3. ELECTRICAL:
VOLTAGE: 60VAC/75VDC
CURRENT: 4A
 4. TEMP RATING: -25°C TO +105°C
 5. PROTECTION: IP67 (WHEN MATED)
 6. COUPLING THREAD: M8 X 1
 7. UL LISTED FILE: E152210
 8. ALL DIMS ARE FOR REFERENCE UNLESS TOLERANCED OR NOTED OTHERWISE

FUNCTIONAL SYMBOLS F=0 E=0 P=0	THIS DRAWING CONTAINS INFORMATION THAT IS PROPRIETARY TO MOLEX ELECTRONIC TECHNOLOGIES, LLC AND SHOULD NOT BE USED WITHOUT WRITTEN PERMISSION		CURRENT REV DESC: UPDATE BORDER, NOTES PER LATEST DOC STD.				
	DIMENSION UNITS	SCALE	EC NO: 637684				
	INCH/MM	1:1	DRWN: RSTONE	2020/05/14			
	GENERAL TOLERANCES (UNLESS SPECIFIED)		CHK'D: MZIELINSKI	2020/05/15			
DIVISIONAL SYMBOLS	4 PLACES ±----	mm	INCH	APPR: BWOODMAN	2020/05/18		
3 PLACES ±----	±0.005	INITIAL REVISION:					
2 PLACES ±0.25	±0.01	DRWN: GGUSTAFS	2013/10/11	DOCUMENT NUMBER	DOC TYPE/DOC PART/REVISION		
1 PLACE ±0.13	±0.02	APPR: BWOODMAN	2013/11/12	SD-120086-055	PSD 001 B		
0 PLACES ±----	±----	DRAFT WHERE APPLICABLE MUST REMAIN WITHIN DIMENSIONS		MATERIAL NUMBER	CUSTOMER	SHEET NUMBER	
ANGULAR TOL ± 0.5°		THIRD ANGLE PROJECTION	DRAWING	SERIES	SEE P/N LEGEND	GENERAL MARKET	1 OF 1
B-SIZE		120086					