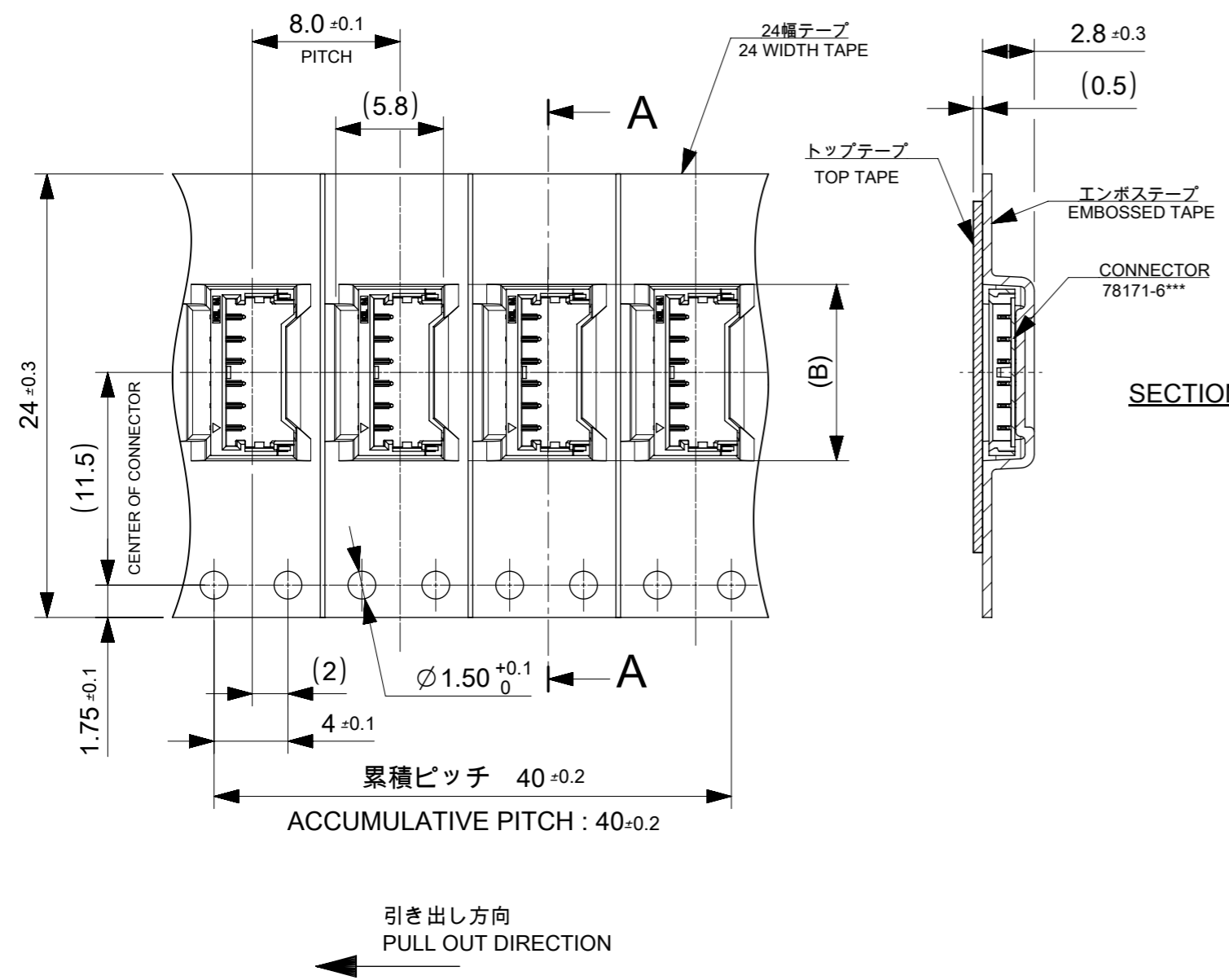


NOTES

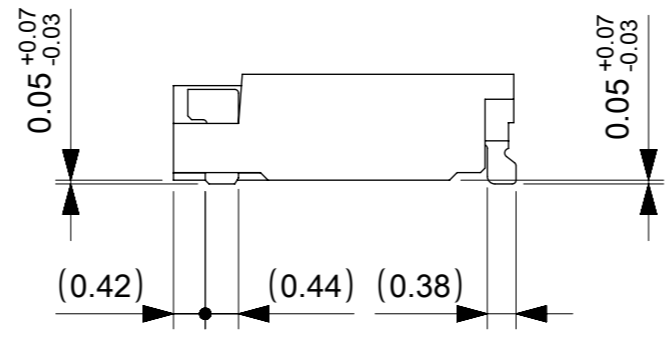
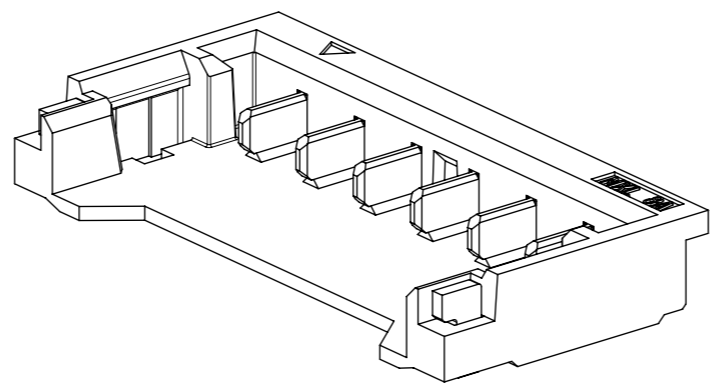
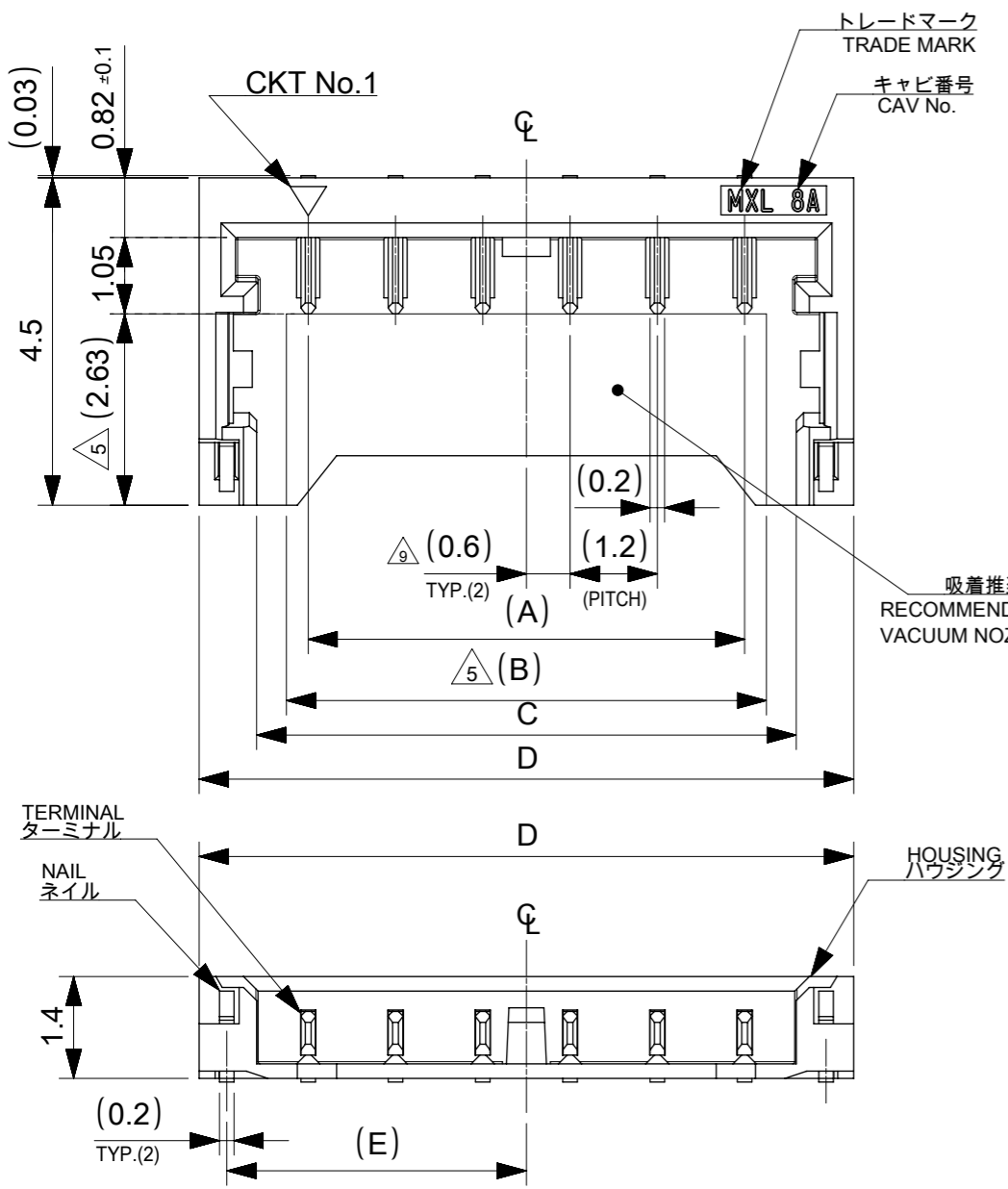
- 製品詳細につきましては、781716007 を参照下さい。
RE DETAILED DIMENSION, SEE 781716007.
- 梱包数量 : 4,500 個/リール
NUMBER OF CONNECTORS : 4,500PCS/REEL.
- リードテープの長さ
LEAD TAPE LENGTH.
 - トップテープ接着部 (空エンボス)
TOP TAPE ONDED PART (EMPTY) 100MIN.
 - 部品挿入部
COMPONENT SUPPLIER 400 MIN.
 - 末端部(空部)
TAIL PART (EMPTY) 160MIN.
- 材料(MATERIAL)
キャリアテープ (CARRIER TAPE): POLYPROPYLENE - PP
トップテープ (TOP TAPE) : PET, PE, PE
リール (REEL) : ポリスチレン (POLYSTYRENE) <リサイクル材を含む>
< RECYCLE MATERIAL CONTAINED. >
- 製品の取扱いについては取扱説明書 "AS-78172-001" を参照願います。
REFER TO INSTRUCTION MANUAL "AS-78172-001"
- ELV及びRoHS適合品
ELV AND RoHS COMPLIANT.



10.5	781716307	781715307	7	781715***
	781716007	781715007		
9.3	781716306	781715306	6	781715***
	781716006	781715006		
B	CONNECTOR	MATERIAL NO.	CKT.	MODEL NO.

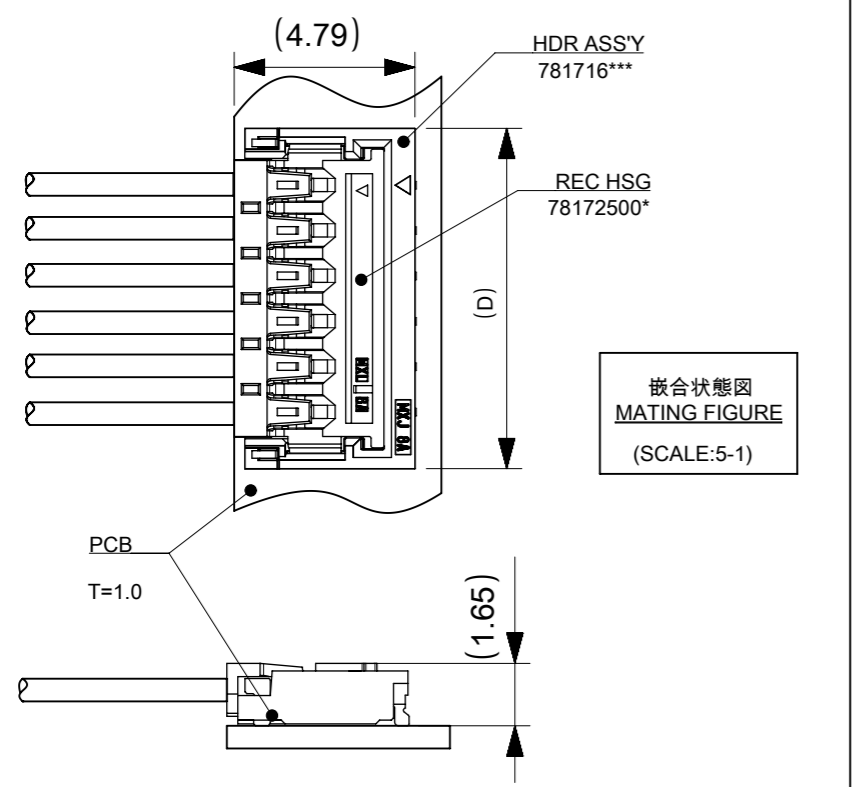
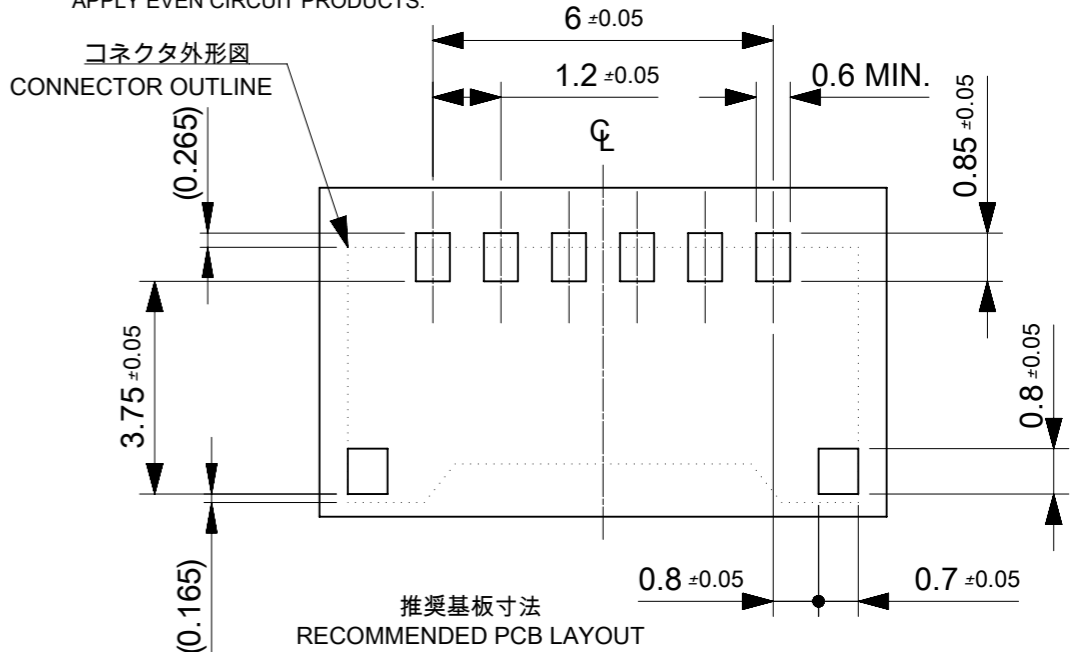
THIS DRAWING CONTAINS INFORMATION THAT IS PROPRIETARY TO MOLEX ELECTRONIC TECHNOLOGIES, LLC AND SHOULD NOT BE USED WITHOUT WRITTEN PERMISSION

EC NO: 105537 DRWN: SSHIMONISHI CHK'D: KOMURAKAMI APPR: TKANEKO	2016/09/13	2016/10/14	2016/10/14	GENERAL TOLERANCES (UNLESS SPECIFIED) ANGULAR TOL ± 3.0 ° 4 PLACES ± 0.03 3 PLACES ± 0.03 2 PLACES ± 0.05 1 PLACE ± 0.1 0 PLACES ± 0.2 DRAFT WHERE APPLICABLE MUST REMAIN WITHIN DIMENSIONS	DIMENSION UNITS	SCALE			
					MM	NTS			
					DRWN BY	DATE		SSHIMONISHI	2016/09/13
					CHK'D BY	DATE		KOMURAKAMI	2016/10/14
					APPR BY	DATE		TKANEKO	2016/10/14
				DRAWING SIZE	THIRD ANGLE PROJECTION		PICO-EZMATE EMBOSES TAPE PKG FOR 78171		
				A3					
							PRODUCT CUSTOMER DRAWING SERIES: 78171 MATERIAL NUMBER: 781715007 CUSTOMER:		
							DOCUMENT NUMBER: 781715007 DOC TYPE: PSD DOC PART: 000 SHEET NUMBER: 1 OF 1		



注記: 1. 材質 ハウジング: PA46, UL94V-0, 色: 黒
 NOTES. MATERIALS HOUSING: PA46, UL94V-0, COLOUR:BLACK
 ターミナル: 銅合金
 TERMINAL: COPPER ALLOY
 ネイル: 銅合金
 FITTING NAIL: COPPER ALLOY

2. 嵌合相手: 78172-5***
MATING WITH: 78172-5***
3. 梱包形態: エンボスリール梱包 (詳細は781715007を参照願います。)
PACKAGING SPECIFICATION: EMBOSSED TAPE (REFER TO 781715007)
4. 製品番号は右記の内容を示す: 781716***
PRODUCT NUMBER INDICATES FOLLOWING
5. 吸着推奨エリアを示す。
SHOWS VACUUM NOZZLE AREA.
6. ソルダータールとネイルの平坦度: 0.10 mm MAX.
SOLDER TAIL AND FITTING NAIL COPLANARITY 0.1mm MAX.
7. ELV 及び RoHS 適合品。
ELV AND RoHS COMPLIANT.
8. 製品の取扱いについては取扱説明書"AS-78172-001"を参照願います。
REFER TO INSTRUCTION MANUAL"AS-78172-001"
9. 偶数極の製品に適用。
APPLY EVEN CIRCUIT PRODUCTS.



1.5µmMIN.	1.0µmMIN.	0.38µmMIN.	1.0µmMIN.	7.2	7.8	8.62	10.2±0.25	4.72	7	781715307	781716307				
		0.1µmMIN.		6.0	6.6	7.42	9.0±0.25	4.12	6	781715007	781716007				
		0.38µmMIN.		Sn(OVERALL)	Ni(OVERALL)	Au(CONTACT)	Ni(OVERALL)	A	B	C	D	E	CKT	PACKING FORM. EMBOSSED TAPE	MATERIAL NO.
		0.1µmMIN.													

THIS DRAWING CONTAINS INFORMATION THAT IS PROPRIETARY TO MOLEX ELECTRONIC TECHNOLOGIES, LLC AND SHOULD NOT BE USED WITHOUT WRITTEN PERMISSION

REVISED	2017/06/29	GENERAL TOLERANCES (UNLESS SPECIFIED)	DIMENSION UNITS	SCALE		
	2017/06/29	ANGULAR TOL ± 3.0 °	MM	10:1		
	2017/06/29	4 PLACES ± 0.03	DRWN BY	DATE		
	SSHIMONISHI	2016/09/13				
EC NO: 118768	DRWN: SSHIMONISHI	3 PLACES ± 0.03	CHK'D BY	DATE	PICO-EZMATE 1.2 W/B CONN. HDR ASS'Y	
		2 PLACES ± 0.05	KOMURAKAMI	2016/10/14		
		1 PLACE ± 0.1	APPR BY	DATE		
		0 PLACES ± 0.2	TKANEKO	2016/10/14		
B	REV	DRAFT WHERE APPLICABLE MUST REMAIN WITHIN DIMENSIONS	DRAWING SIZE	THIRD ANGLE PROJECTION	PRODUCT CUSTOMER DRAWING	
		A3	78171	SERIES	MATERIAL NUMBER	CUSTOMER
		781716007	78171	78171	78171	
		781716007	PSD	000	1 OF 1	