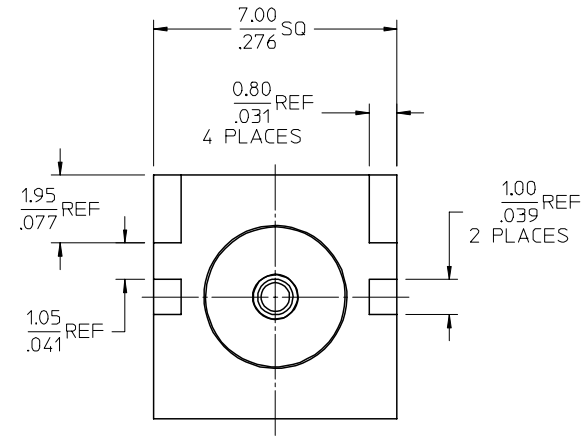
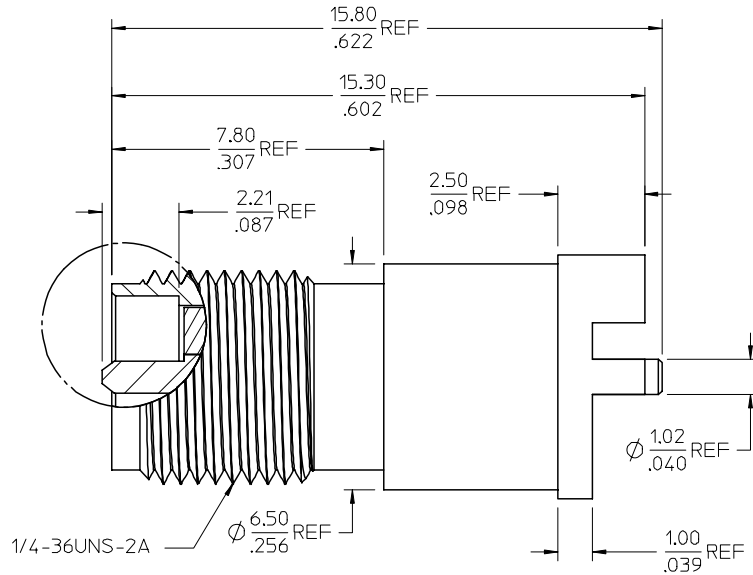
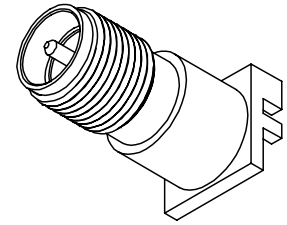


MATERIAL&FINISH
 BODY: BRASS
 PLATED GOLD
 MALE PIN : BRASS
 PLATED GOLD
 INSULATOR
 TEFLON

PACKING: TRAY



NEW RELEASED EWR: REF 2006-04-55 2006/04/19 DRWN: YCHENG 2006/04/21 CHKD: APPR: MJIANG 2006/04/21 REV	QUALITY SYMBOLS	GENERAL TOLERANCES (UNLESS SPECIFIED)	DIMENSION STYLE	SCALE	DESIGN UNITS	THIRD ANGLE PROJECTION															
	$\nabla=0$ $\nabla=0$	<table border="1"> <thead> <tr> <th></th> <th>mm</th> <th>INCH</th> </tr> </thead> <tbody> <tr> <td>4 PLACES</td> <td>± .13</td> <td>± .005</td> </tr> <tr> <td>3 PLACES</td> <td>± .13</td> <td>± .005</td> </tr> <tr> <td>2 PLACES</td> <td>± 0.13</td> <td>± .005</td> </tr> <tr> <td>1 PLACE</td> <td>± 0.25</td> <td>± .010</td> </tr> </tbody> </table>		mm	INCH	4 PLACES	± .13	± .005	3 PLACES	± .13	± .005	2 PLACES	± 0.13	± .005	1 PLACE	± 0.25	± .010	MM/IN	8:1	METRIC	
		mm	INCH																		
	4 PLACES	± .13	± .005																		
3 PLACES	± .13	± .005																			
2 PLACES	± 0.13	± .005																			
1 PLACE	± 0.25	± .010																			
		DRAWN BY DATE	TITLE																		
		DARRY 2006/4/13	SMA JACK EDGE LAUNCHER POLARIZED SMA-J/PCB																		
		CHECKED BY DATE	MOLEX INCORPORATED																		
		JOANNE 2006/4/13	MATERIAL NO. 733910100																		
		APPROVED BY DATE	DOCUMENT NO. SD-73391-010																		
		MISEN 2006/4/13	SHEET NO. 1 OF 1																		
			DRAFT WHERE APPLICABLE MUST REMAIN WITHIN DIMENSIONS																		
			THIS DRAWING CONTAINS INFORMATION THAT IS PROPRIETARY TO MOLEX INCORPORATED AND SHOULD NOT BE USED WITHOUT WRITTEN PERMISSION																		