

34861-1406  
 34861-1206 (SI INSERTS) \*NOT QUALIFIED\*  
 34861-1306 (2 SHIELD TABS)  
 34861-2106 (SMT) \*NOT QUALIFIED\*  
 34861-7009 (TERMINAL AND INSERTS CHANGE)  
 (2 SHIELD TAB) \*NOT QUALIFIED\*  
 34861-8009 SMT VERSION WITH HS INSERTS  
 (NO SHIELD TABS) \*NOT QUALIFIED\*

KEY OPTION 'A'  
 COLOR: BLACK

SALEABLE

34861-1416  
 34861-1216 (SI INSERTS) \*NOT QUALIFIED\*  
 34861-1316 (2 SHIELD TABS)  
 34861-2116 (SMT) \*NOT QUALIFIED\*  
 34861-7019 (TERMINAL AND INSERTS CHANGE)  
 (2 SHIELD TAB)\*NOT QUALIFIED\*  
 34861-8019 SMT VERSION WITH HS INSERTS  
 (NO SHIELD TABS) \*NOT QUALIFIED\*

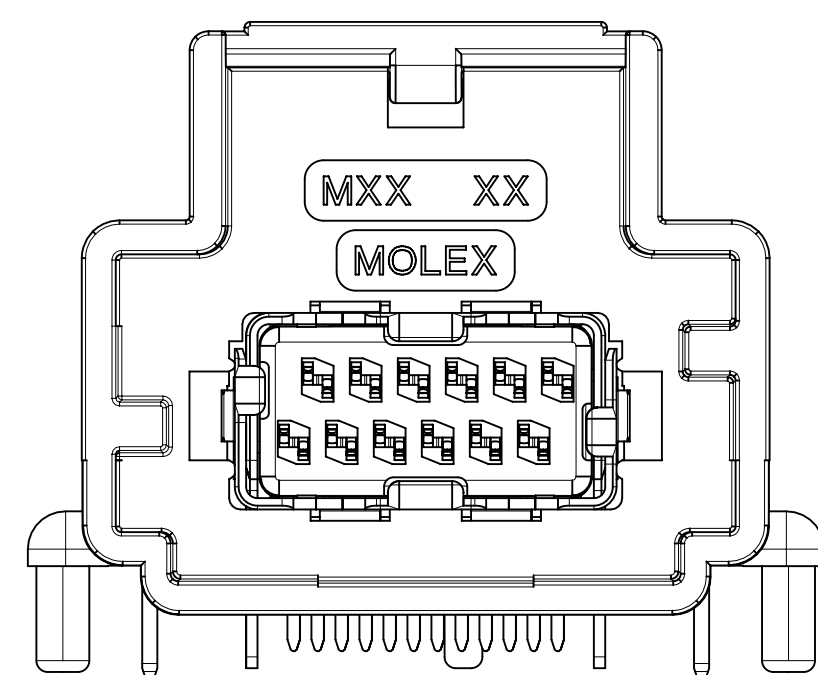
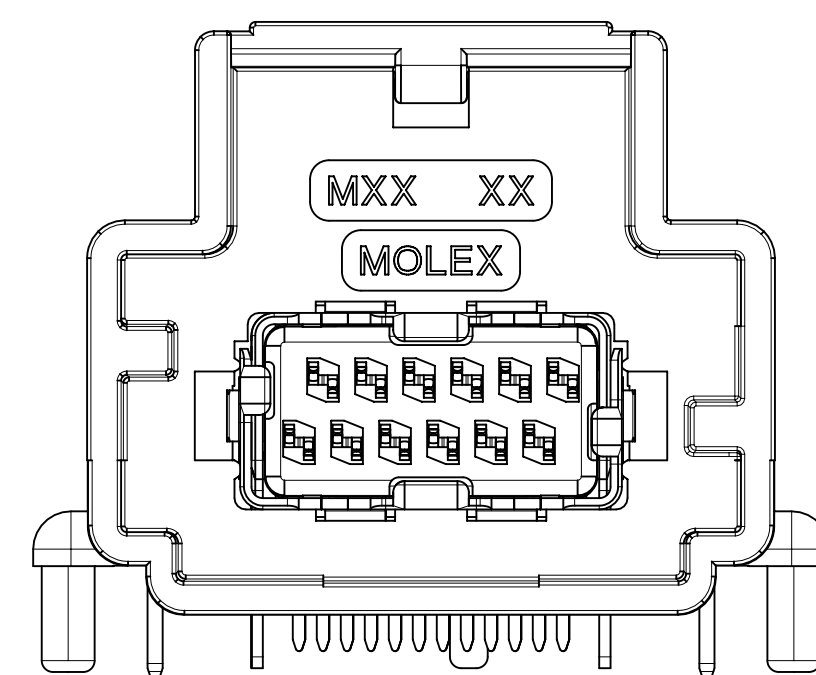
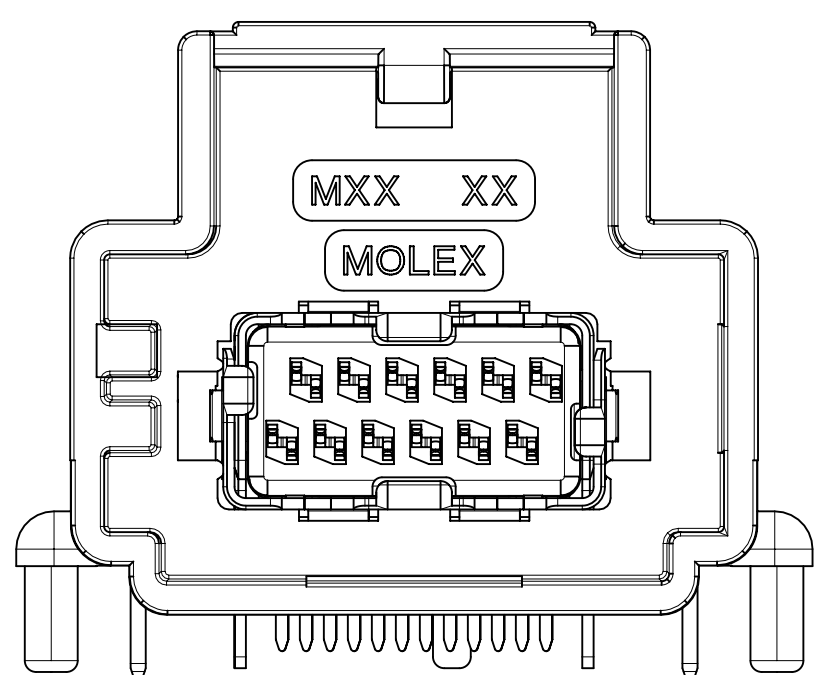
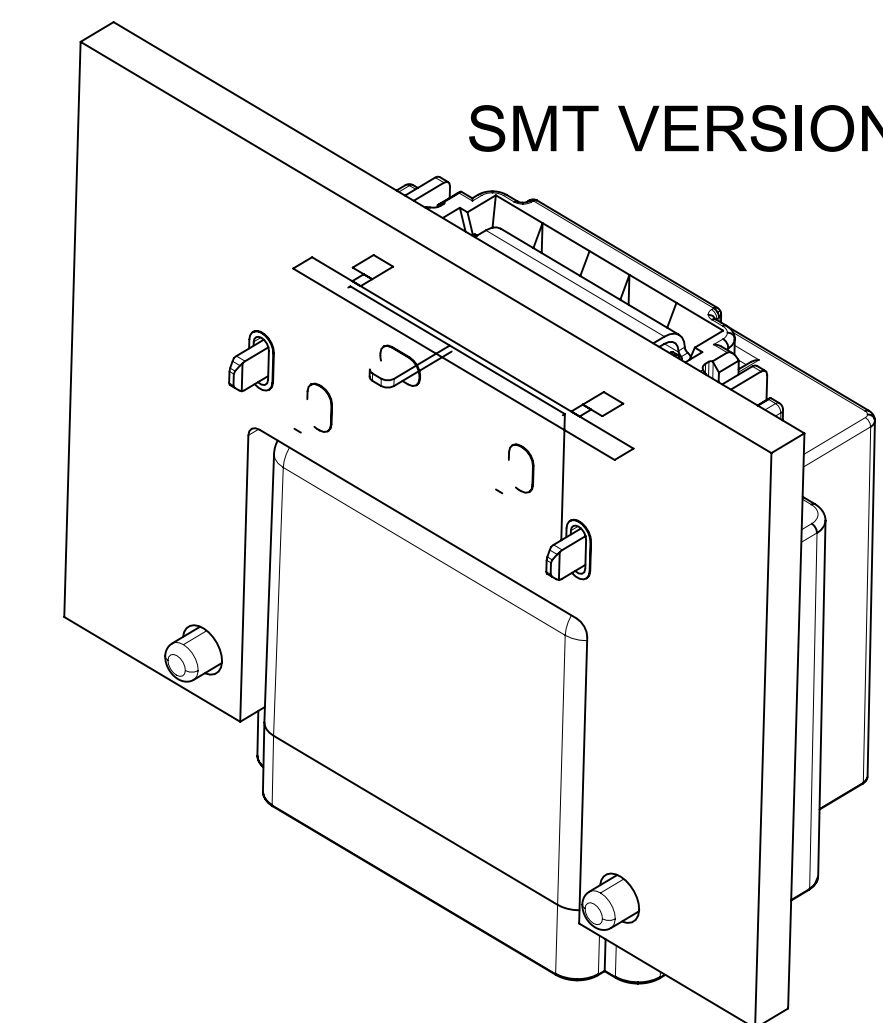
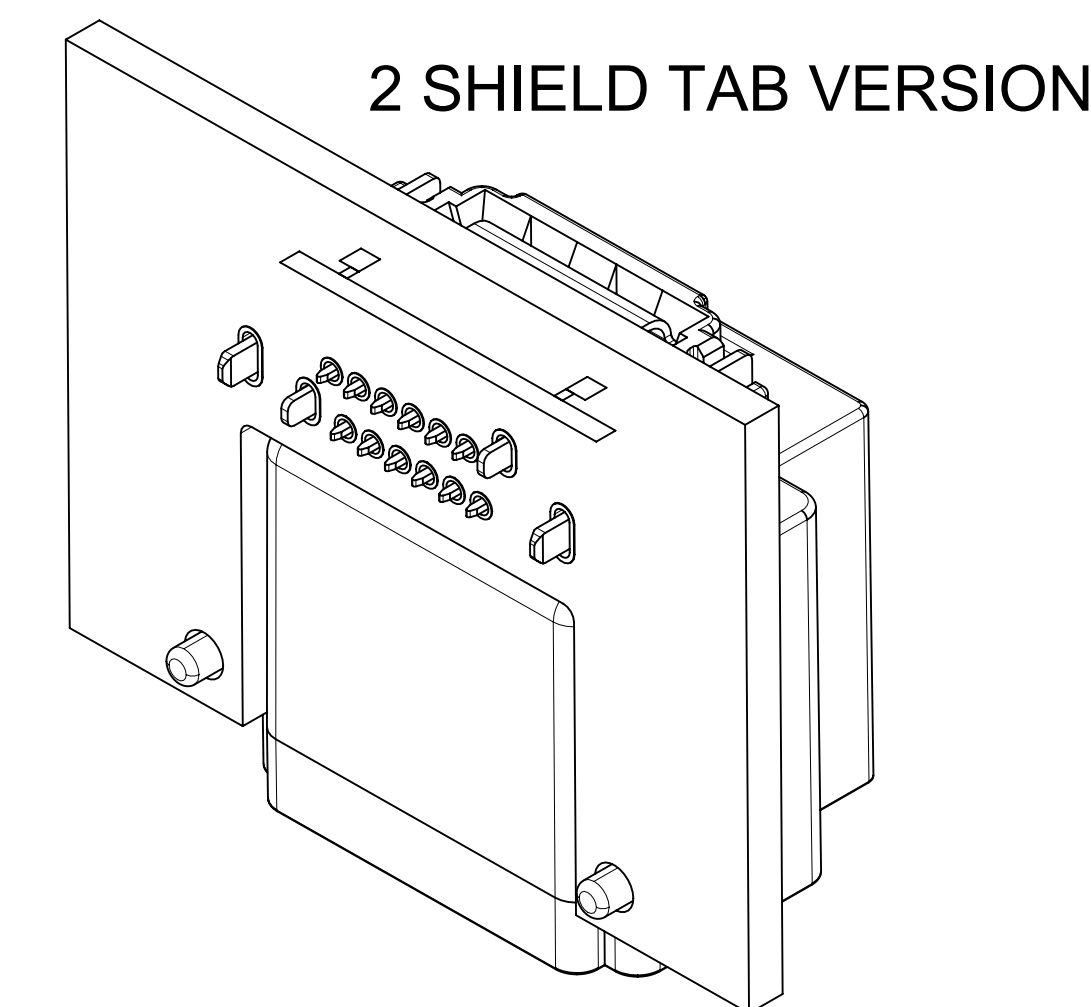
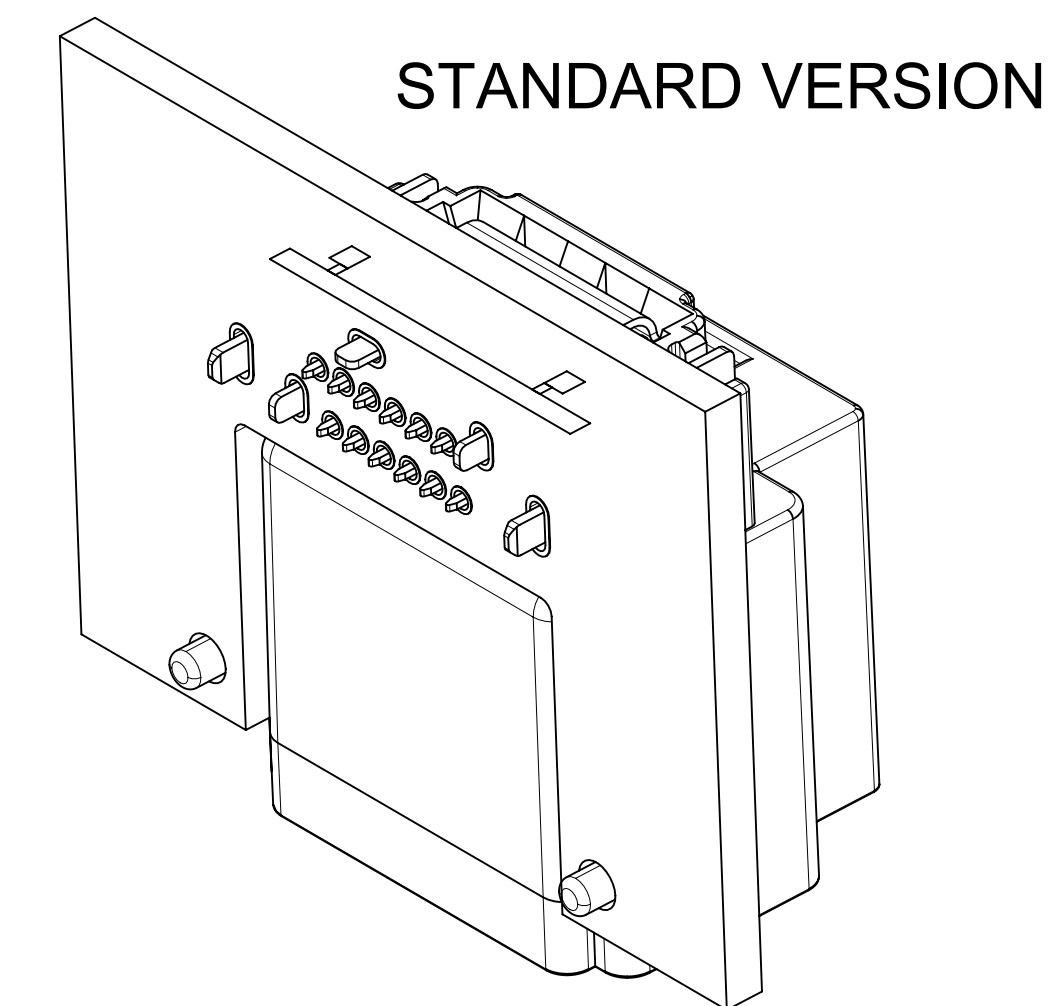
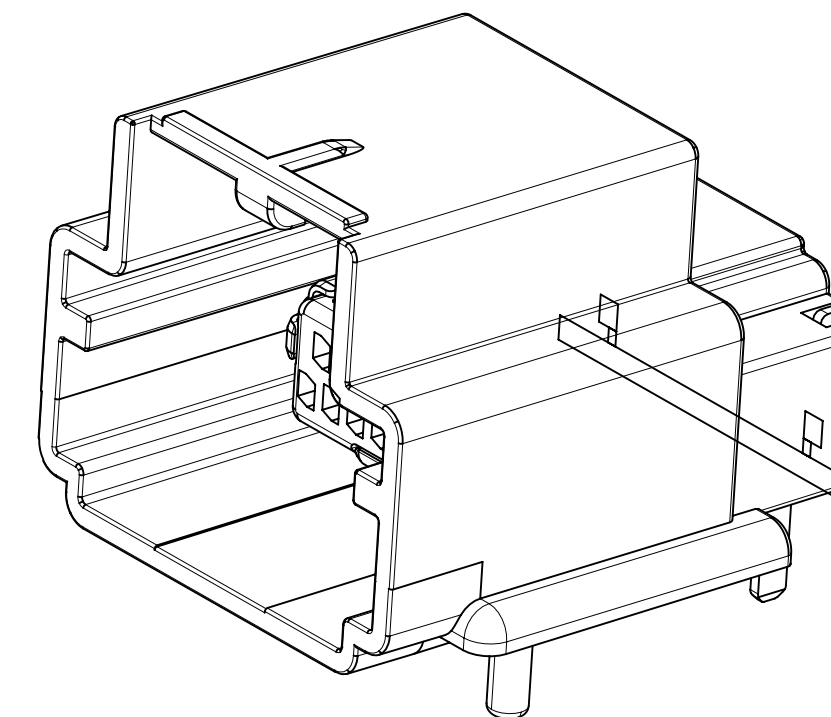
KEY OPTION 'B'  
 COLOR: GRAY

SALEABLE

34861-1426  
 34861-1226 (SI INSERTS) \*NOT QUALIFIED\*  
 34861-1326 (2 SHIELD TABS)  
 34861-2126 (SMT) \*NOT QUALIFIED\*  
 34861-7029 (TERMINAL AND INSERTS CHANGE)  
 (2 SHIELD TAB)\*NOT QUALIFIED\*  
 34861-8029 SMT VERSION WITH HS INSERTS  
 (NO SHIELD TABS) \*NOT QUALIFIED\*

KEY OPTION 'C'  
 COLOR: BROWN

SALEABLE



34861-1436  
 34861-1236 (SI INSERTS) \*NOT QUALIFIED\*  
 34861-1336 (2 SHIELD TABS)  
 34861-2136 (SMT) \*NOT QUALIFIED\*  
 KEY OPTION 'D'

COLOR: GREEN

OK TO TOOL

34861-1446  
 34861-1246 (SI INSERTS) \*NOT QUALIFIED\*  
 34861-1346 (2 SHIELD TABS)  
 34861-2146 (SMT) \*NOT QUALIFIED\*  
 KEY OPTION 'E'

COLOR: BLUE

OK TO TOOL

34861-1456  
 34861-1256 (SI INSERTS) \*NOT QUALIFIED\*  
 34861-1356 (2 SHIELD TABS)  
 34861-2156 (SMT) \*NOT QUALIFIED\*  
 KEY OPTION 'F'  
 34861-7059 (TERMINAL AND INSERTS CHANGE)  
 (2 SHIELD TAB)\*NOT QUALIFIED\*

KEY OPTION 'F'

COLOR: NATURAL

OK TO TOOL

NOTES: VALID UNLESS OTHERWISE SPECIFIED

- MATERIALS:  
 HEADER HOUSING: SPS, 30%GF  
 TERMINALS - COPPER ALLOY  
 OVERMOLDING - LCP, 30%GF  
 BISCUIT - SPS, 30%GF  
 SHIELDS - COPPER ALLOY
- TERMINAL MATE-SIDE PLATING: SELECTIVE GOLD OVER NICKEL  
 TERMINAL PCB SIDE PLATING: TIN OVER NICKEL  
 SHIELDS PLATING - TIN OVER NICKEL
- MATING CONNECTOR MINIMUM CLEARANCE: AREA TO REMAIN CLEAR OF  
 MODULE COMPONENTS, ADHESIVE, DEBRIS, ETC.
- PCB TO BE FR4 0.062" (1.57mm) THICK
- LASER MARKING TO BE MARKED WITH:  
 HUMAN READABLE CODE (HRC)  
 -PERMANENTLY APPLIED ON THE PART WITH 1.5mm LETTER SIZE  
 -INFORMATION TO BE PRINTED  
 5 DIGIT JULIAN MANUFACTURING DATE STAMP YYDDD

THIS DRAWING CONTAINS INFORMATION THAT IS PROPRIETARY TO MOLEX ELECTRONIC TECHNOLOGIES, LLC AND SHOULD NOT BE USED WITHOUT WRITTEN PERMISSION									
DIMENSION UNITS		SCALE		CURRENT REV DESC:					
mm		5:1							
GENERAL TOLERANCES (UNLESS SPECIFIED)									
ANGULAR TOL		± °							
4 PLACES		±							
3 PLACES		±							
2 PLACES		± 0.2							
1 PLACE		±							
0 PLACES		±							
DRAFT WHERE APPLICABLE MUST REMAIN WITHIN DIMENSIONS				THIRD ANGLE PROJECTION		DRAWING		SERIES	
				D-SIZE		34861			
				MATERIAL NUMBER		CUSTOMER		SHEET NUMBER	
				348611406		GENERAL MARKET		1 OF 4	

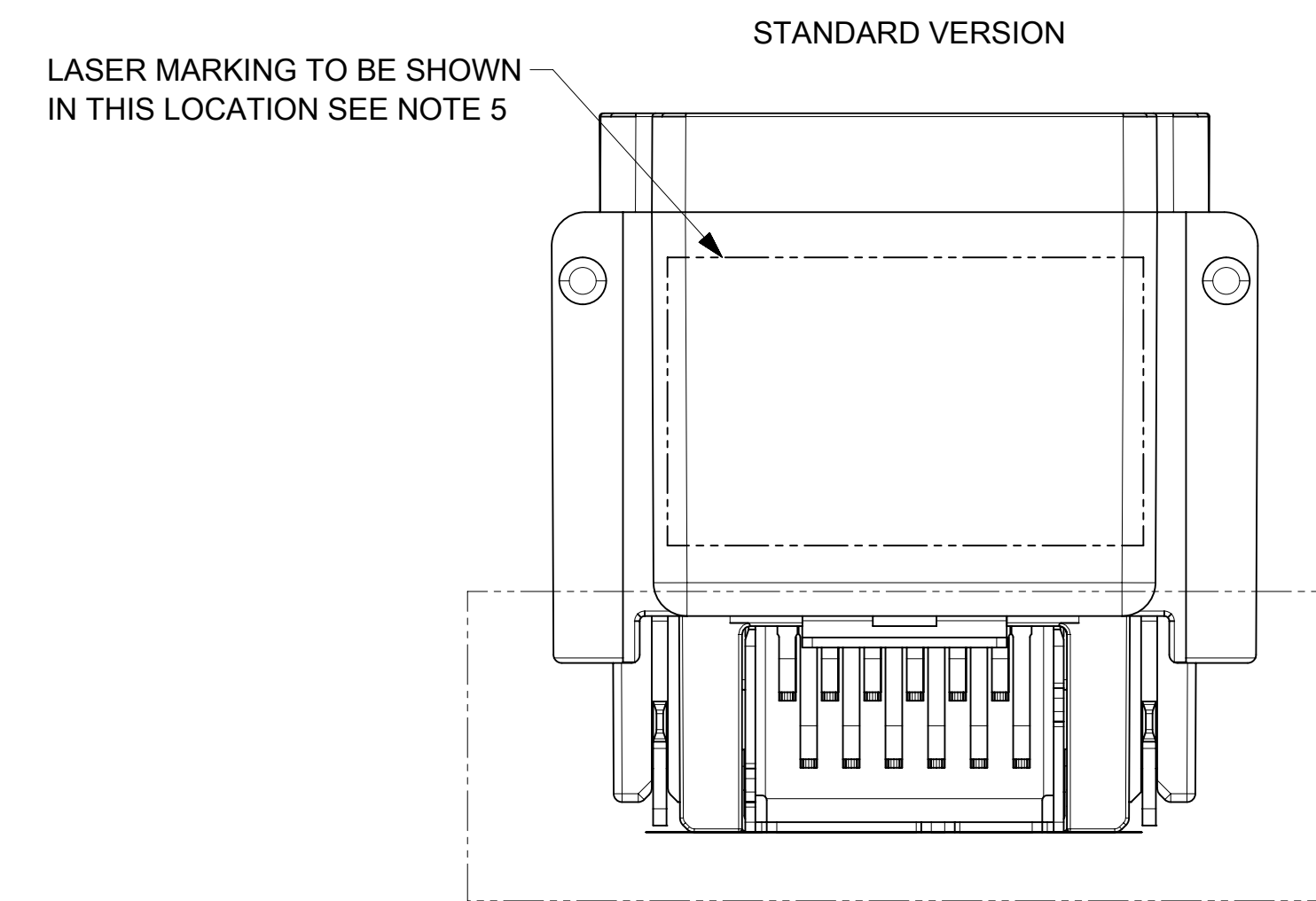
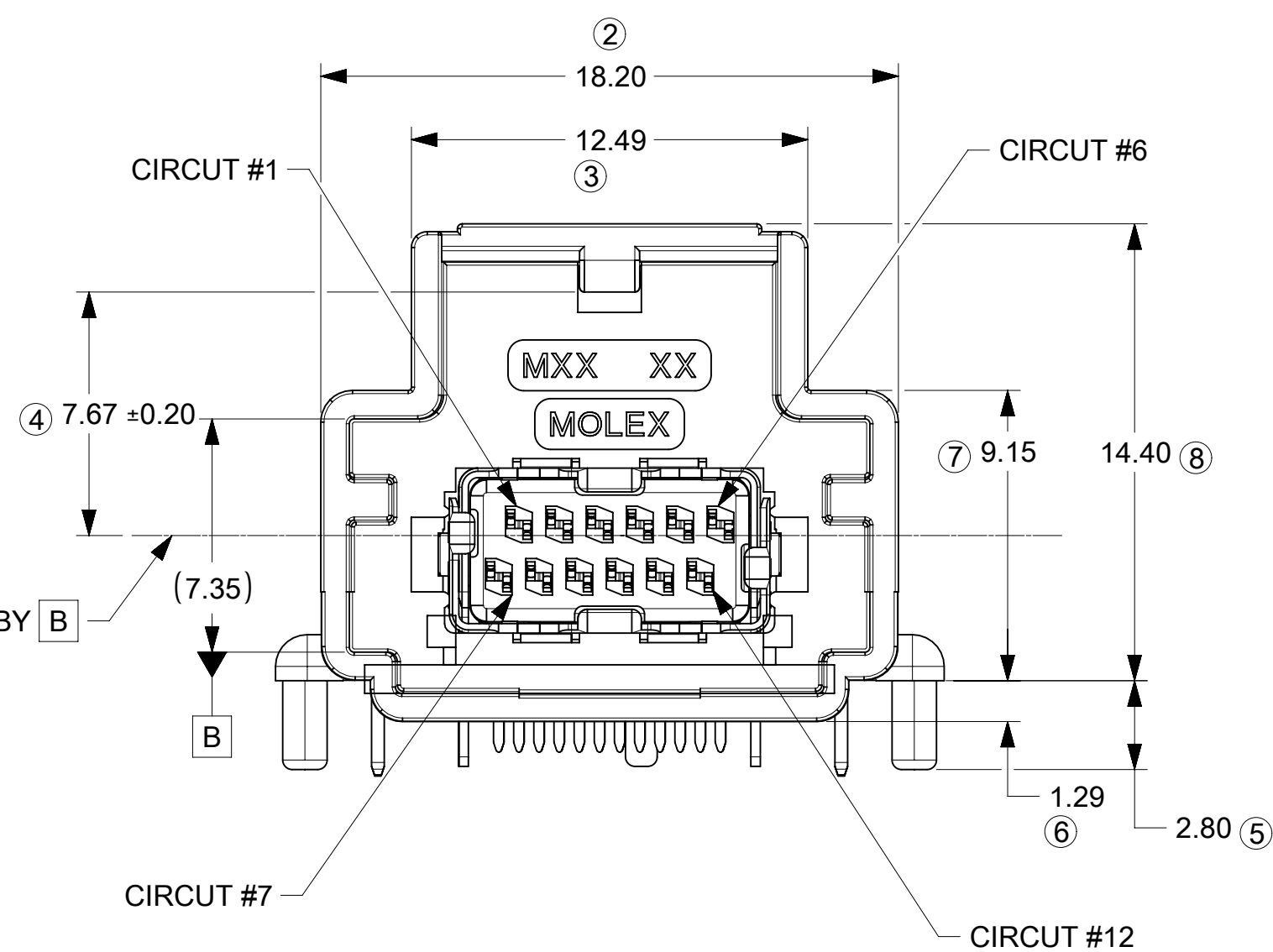
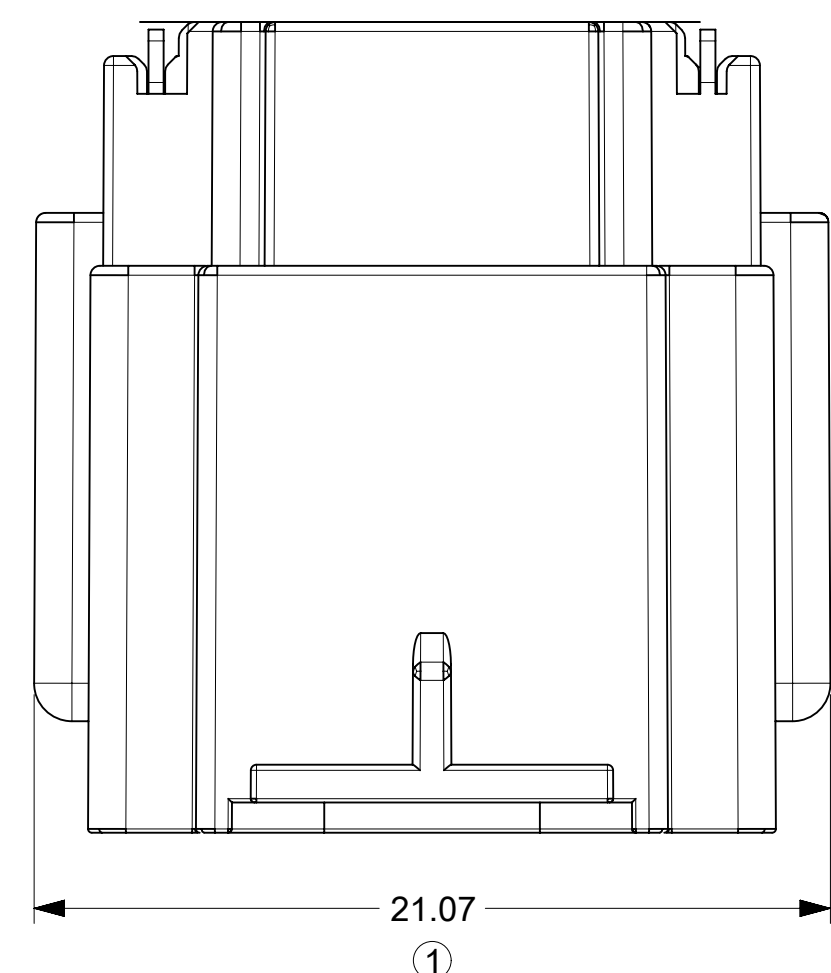
**molex**

12CKT HSALII RIGHT ANGLE HEADER  
 HEADER ASSEMBLY

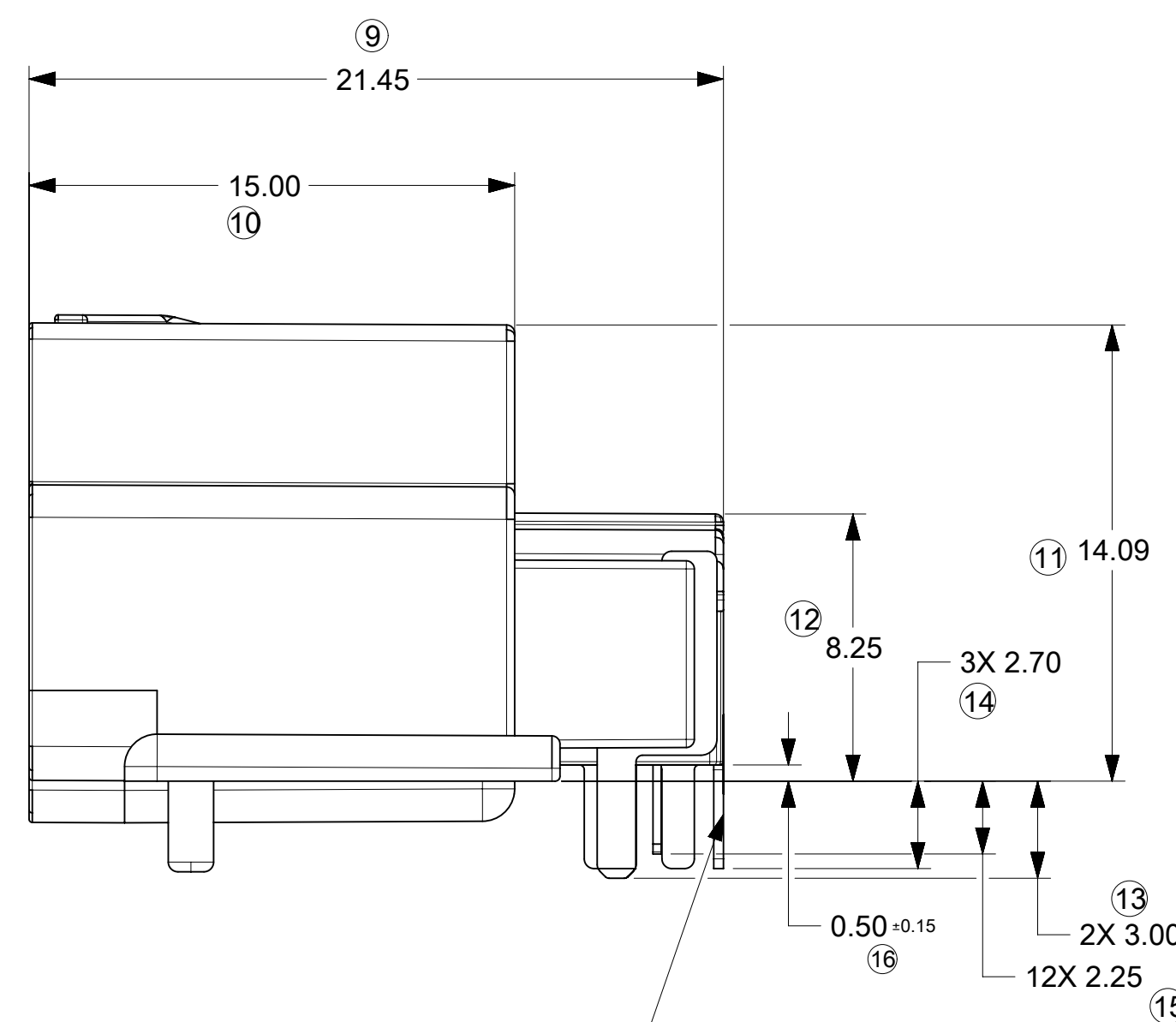
PRODUCT CUSTOMER DRAWING

DOCUMENT NUMBER	DOC TYPE	DOC PART	REVISION
348611406	PSD	000	C6

C6	ADDED PART NUMBER 34861-8009/8019/8029 ADDED DIM 16	MSUBHASH	15JULY2021
C4	UPDATED PCB LAYOUT - PIN HOLE DIA	SUDAYGUNAGI	01JULY2020
REV	DESCRIPTION	ENGINEER	DATE
DOCUMENT STATUS	P1	RELEASE DATE	2021/06/21 17:04:05

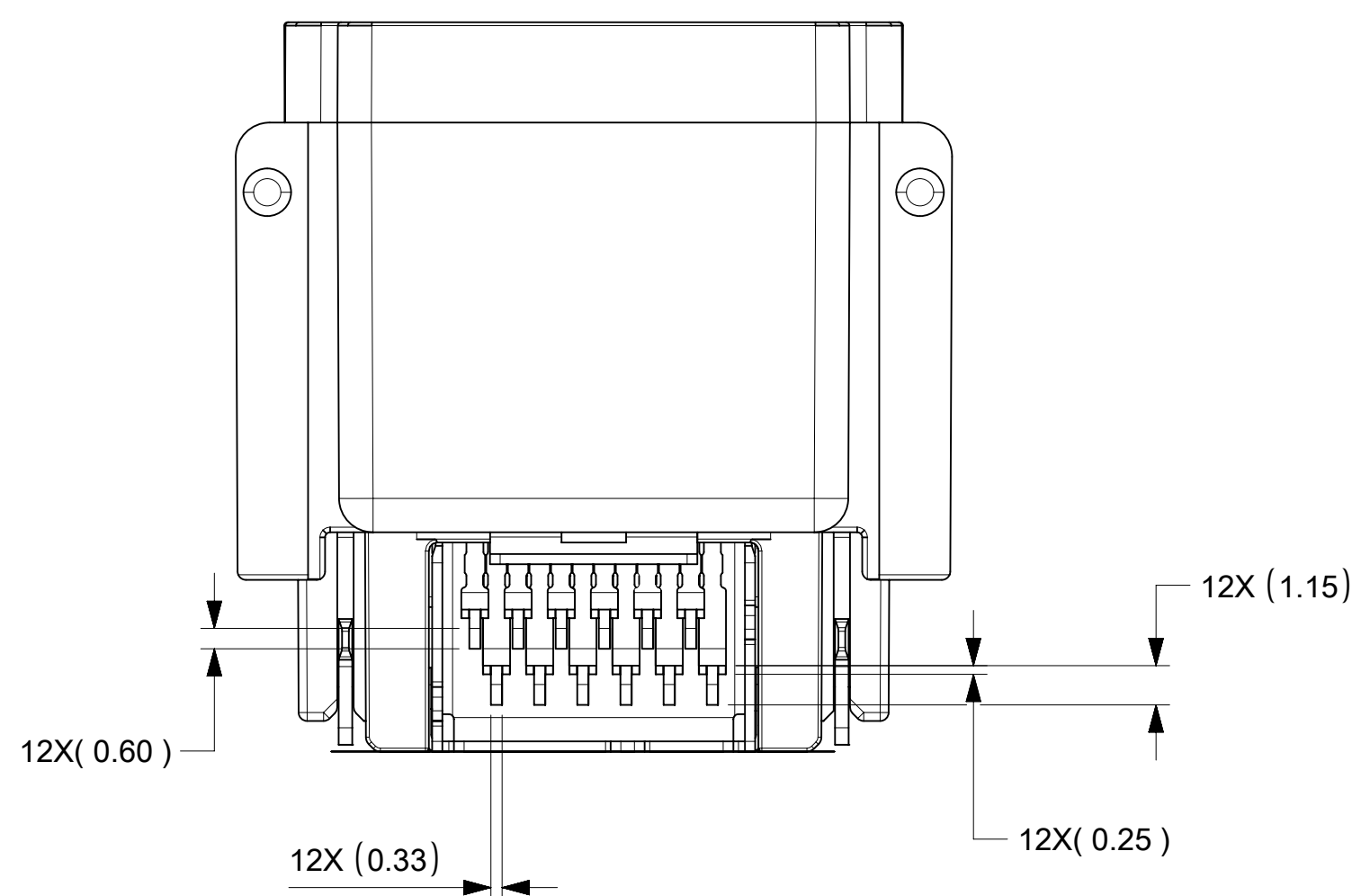


DETAIL G  
SEE SHEET 3

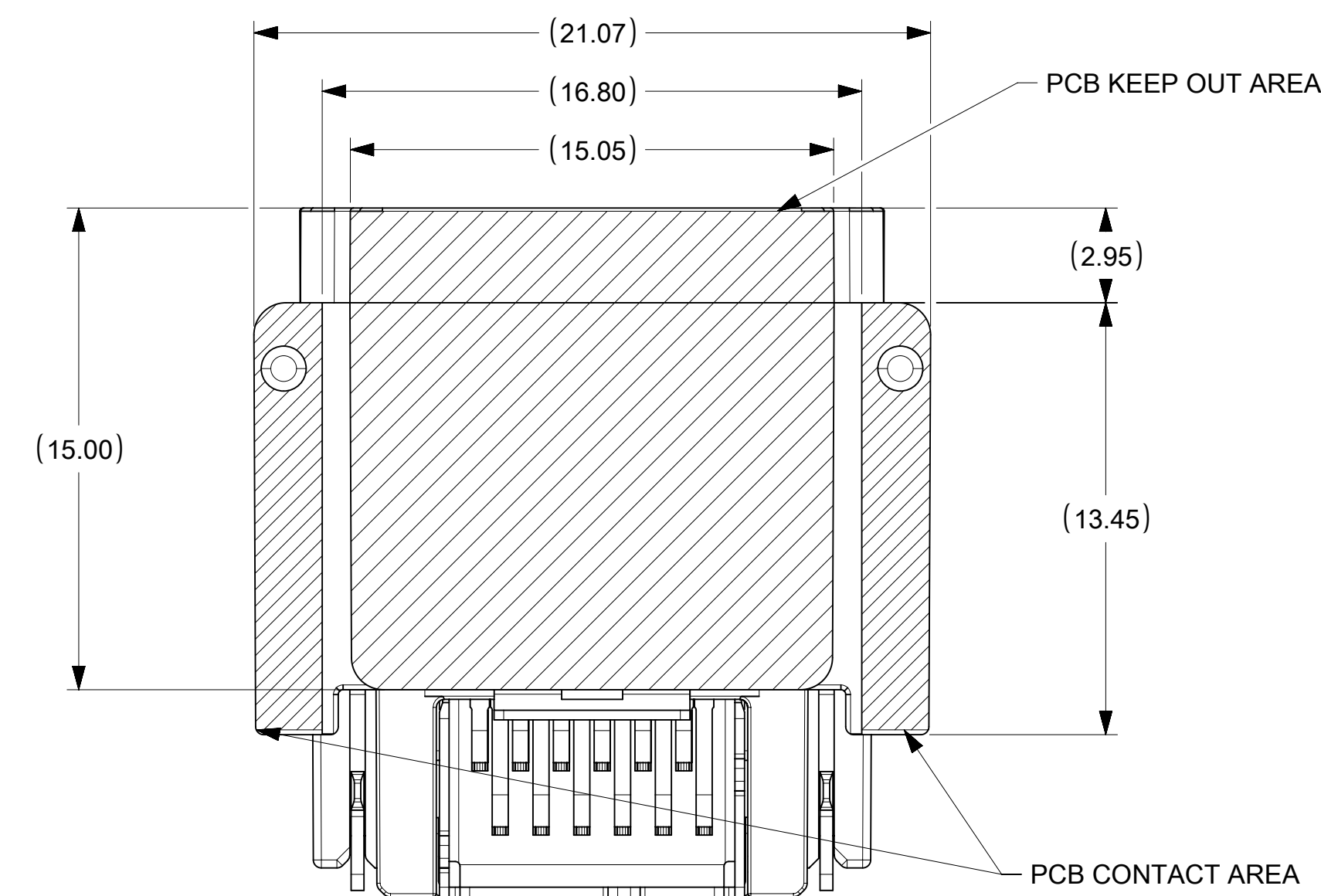


THIS SHIELD TAB IS REMOVED ON  
PART NUMBERS 34861-1306, 34861-1316, 34861-1326  
34861-7009, 34861-7019, 34861-7029  
34861-7059

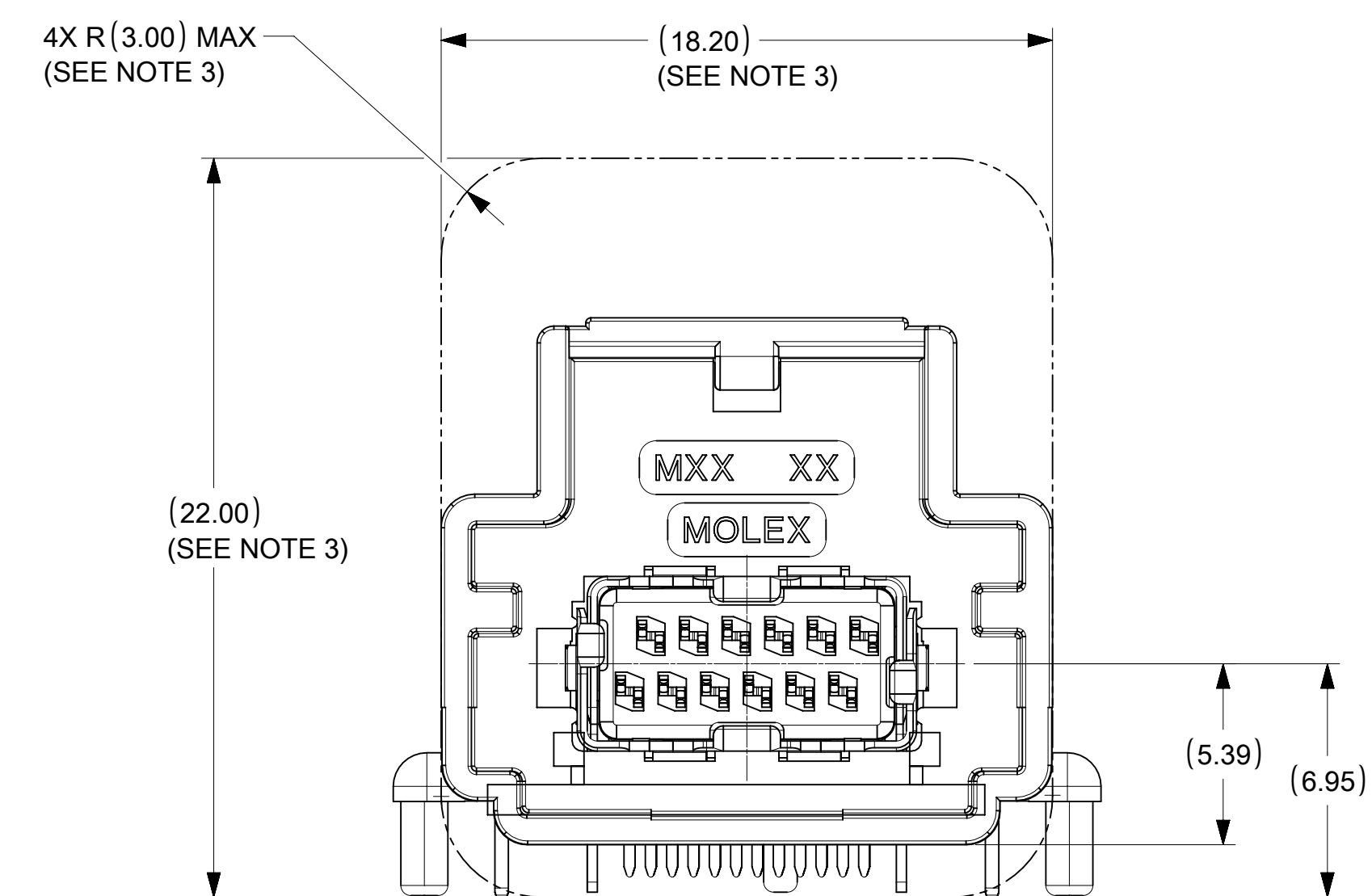
SMT VERSION \*NOT QUALIFIED\*



### PCB CLEAROUT REGIONS



### HEADER-TO-MODULE INTERFACE REQUIREMENTS



THIS DRAWING CONTAINS INFORMATION THAT IS PROPRIETARY TO MOLEX ELECTRONIC TECHNOLOGIES, LLC AND SHOULD NOT BE USED WITHOUT WRITTEN PERMISSION											
DIMENSION UNITS		SCALE		CURRENT REV DESC:							
mm		5:1									
GENERAL TOLERANCES (UNLESS SPECIFIED)											
ANGULAR TOL ± °											
4 PLACES ±				EC NO: 666583							
3 PLACES ±				DRWN: SMAMIDINAGAV 2021/03/17							
2 PLACES ± 0.2				CHK'D: DGILKEY 2021/06/21							
1 PLACE ±				APPR: DGILKEY 2021/06/21							
0 PLACES ±				INITIAL REVISION:							
DRAFT WHERE APPLICABLE MUST REMAIN WITHIN DIMENSIONS				THIRD ANGLE PROJECTION		DRAWING		SERIES		MATERIAL NUMBER	
				D-SIZE		34861		2018/06/25		348611406	
				DRAFT WHERE APPLICABLE MUST REMAIN WITHIN DIMENSIONS		D-SIZE		2018/06/27		GENERAL MARKET	
DOCUMENT STATUS				RELEASE DATE				SHEET NUMBER			
P1				2021/06/21 17:04:05				2 OF 4			

**molex**

12CKT HSALII RIGHT ANGLE HEADER  
HEADER ASSEMBLY

PRODUCT CUSTOMER DRAWING

DOCUMENT NUMBER DOC TYPE DOC PART REVISION

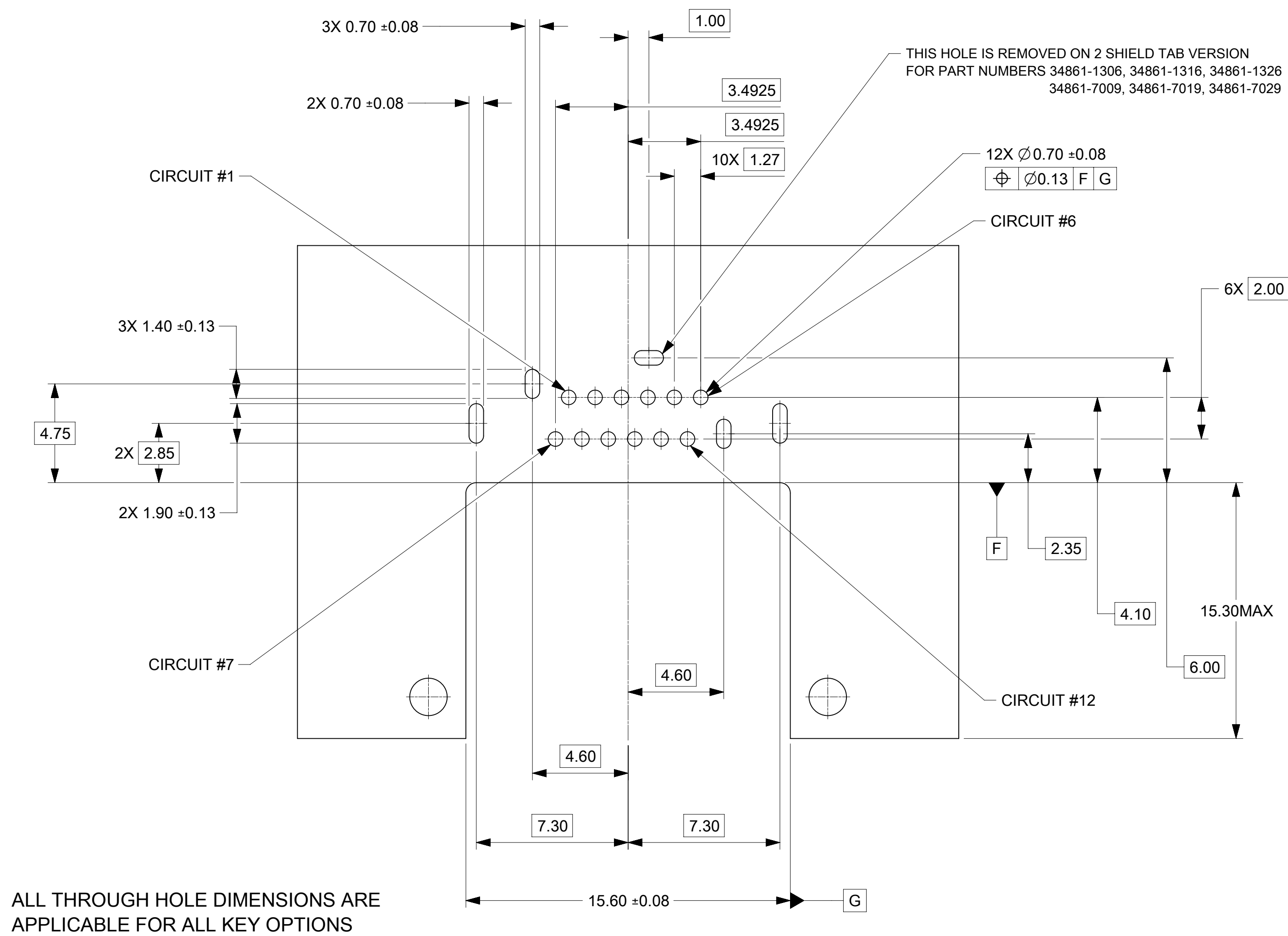
348611406

PSD 000 C6

MATERIAL NUMBER CUSTOMER SHEET NUMBER

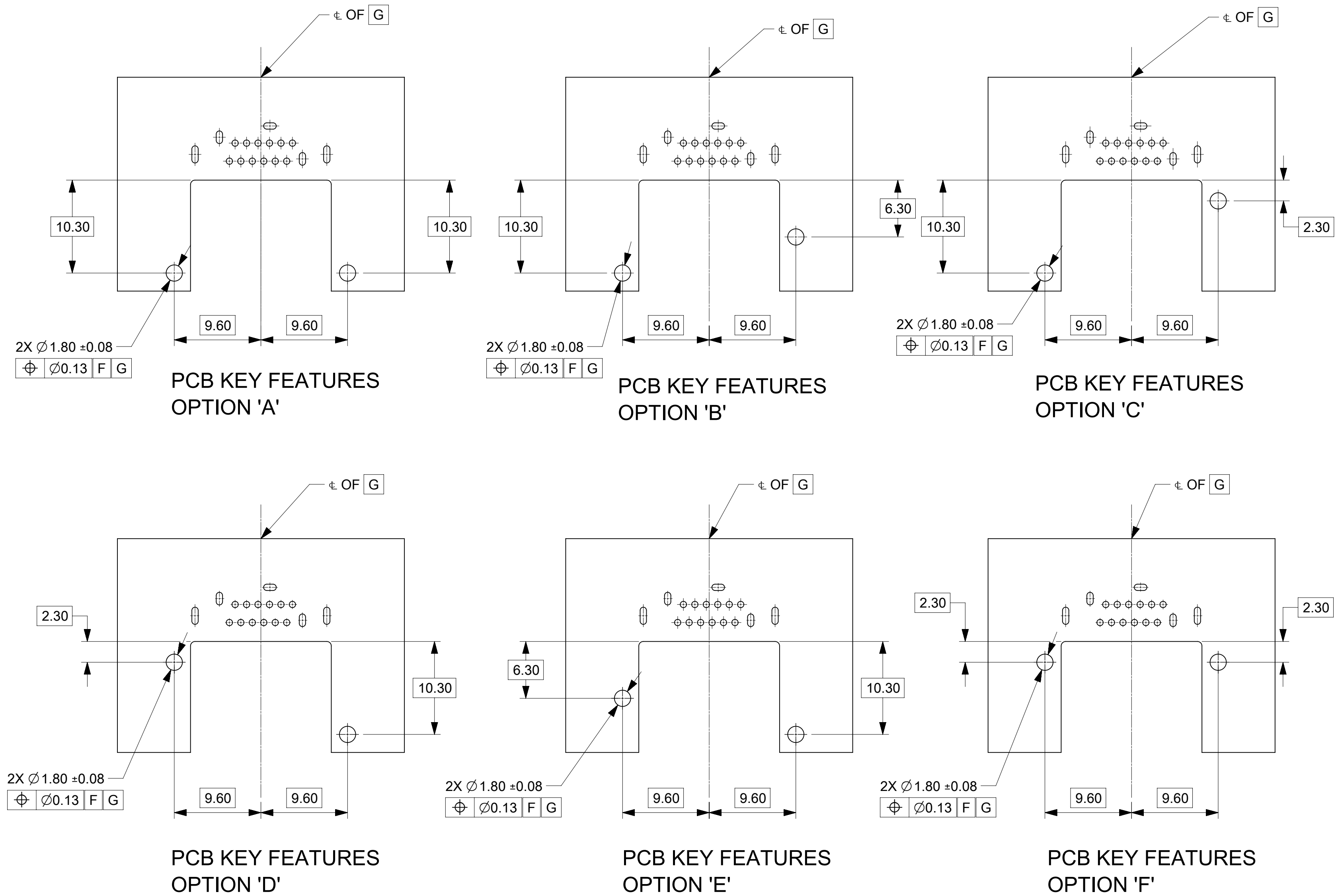
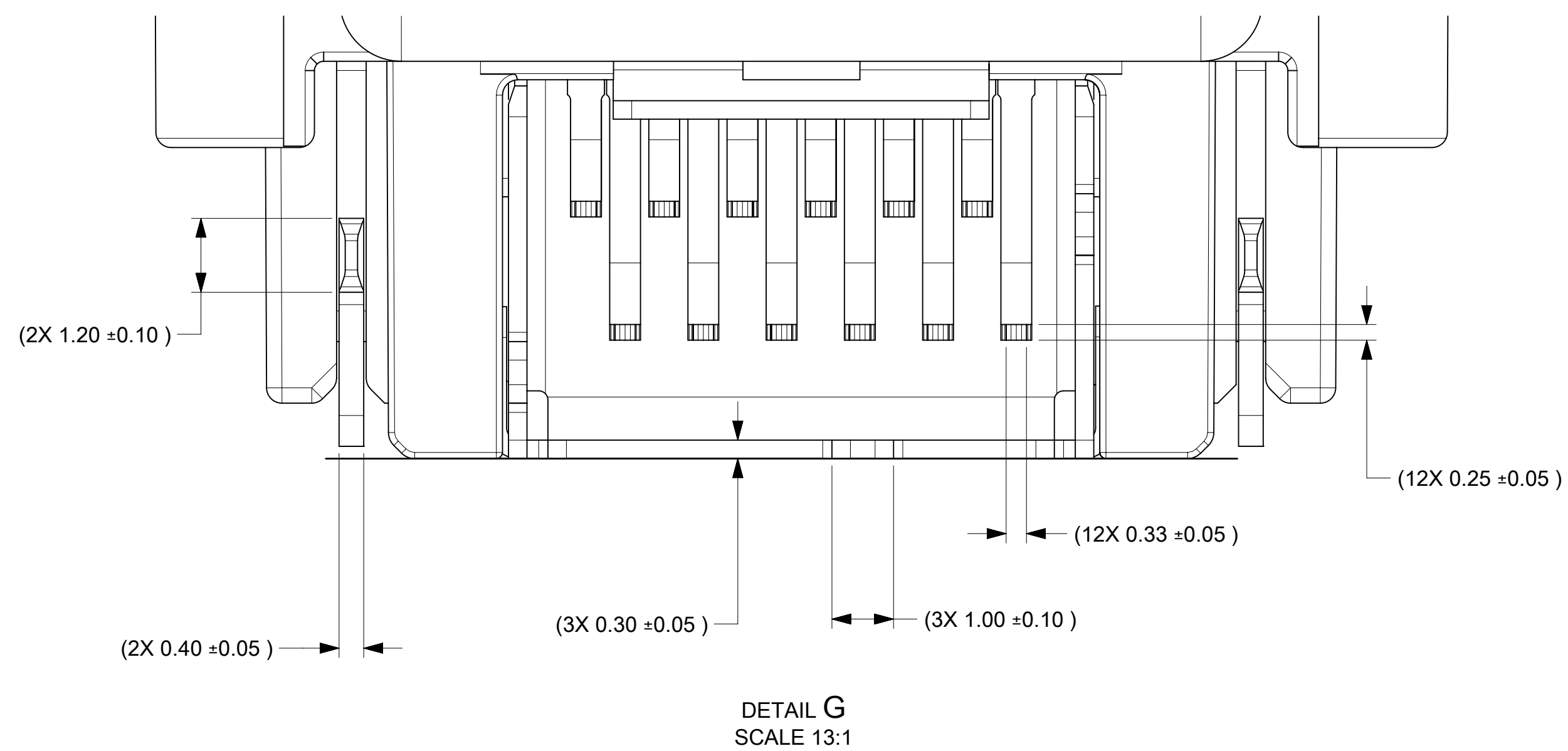
SEE SHEET 1 GENERAL MARKET 2 OF 4

# RECOMMENDED PCB LAYOUT - HEADER SIDE PCB



ALL THROUGH HOLE DIMENSIONS ARE APPLICABLE FOR ALL KEY OPTIONS

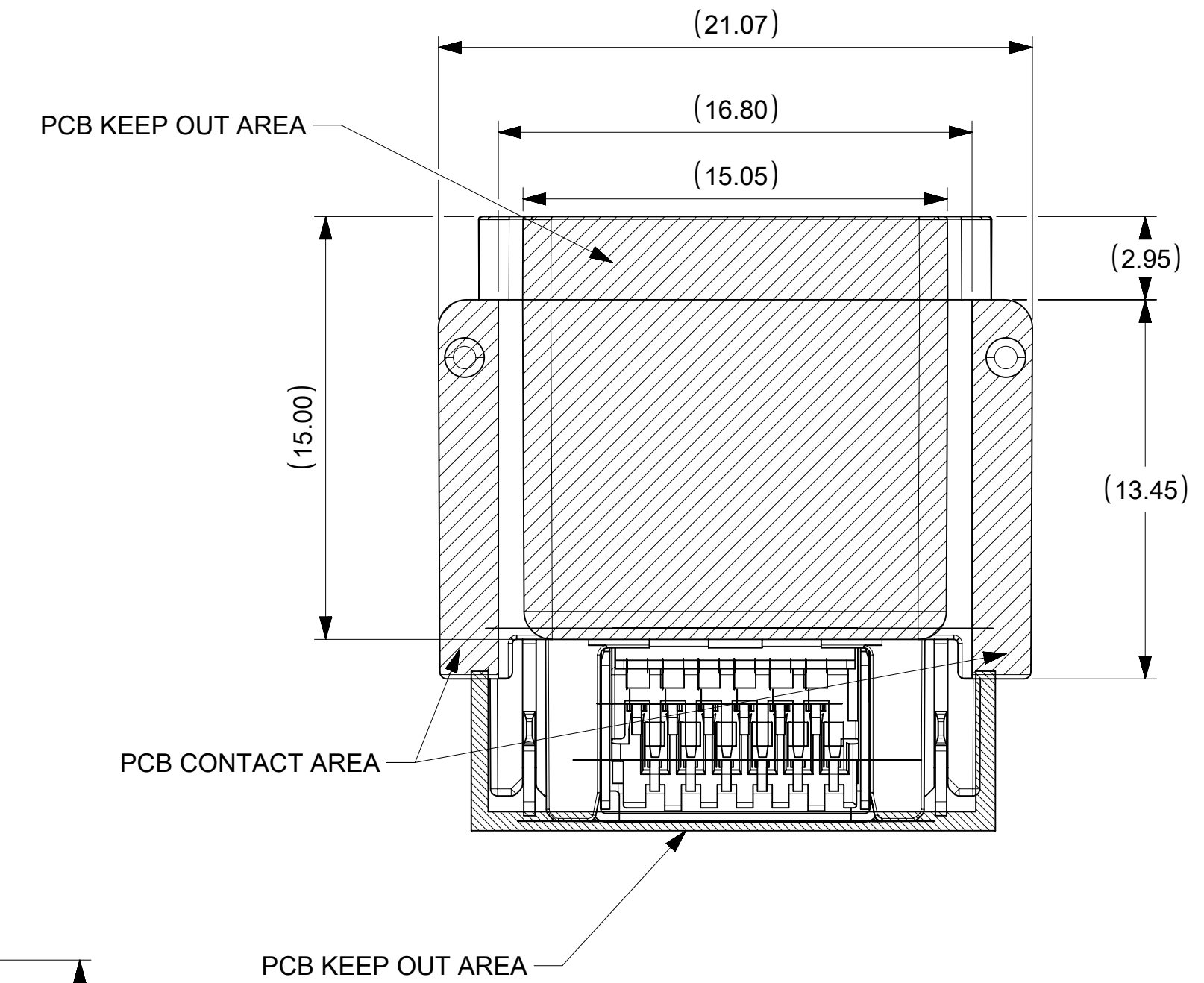
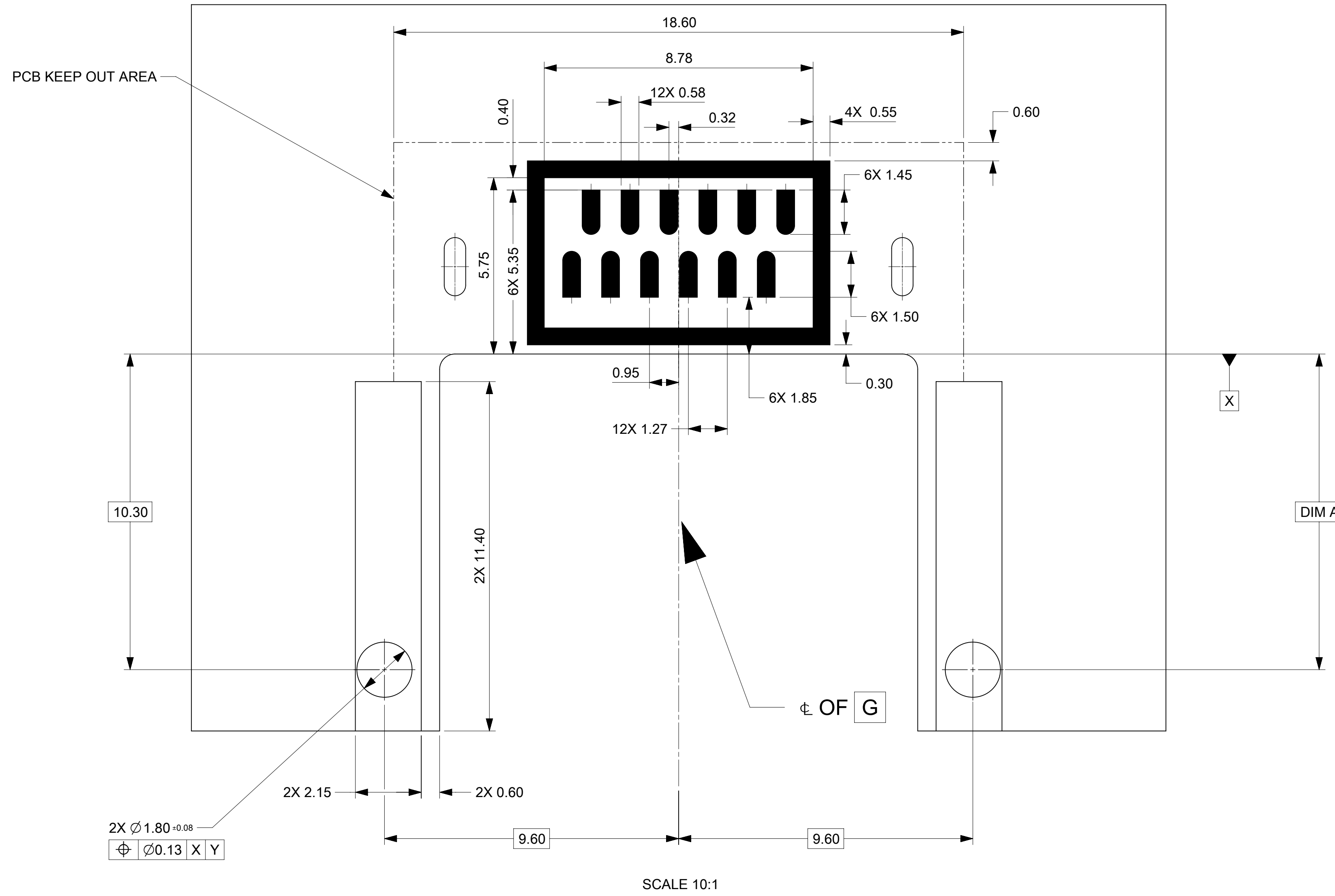
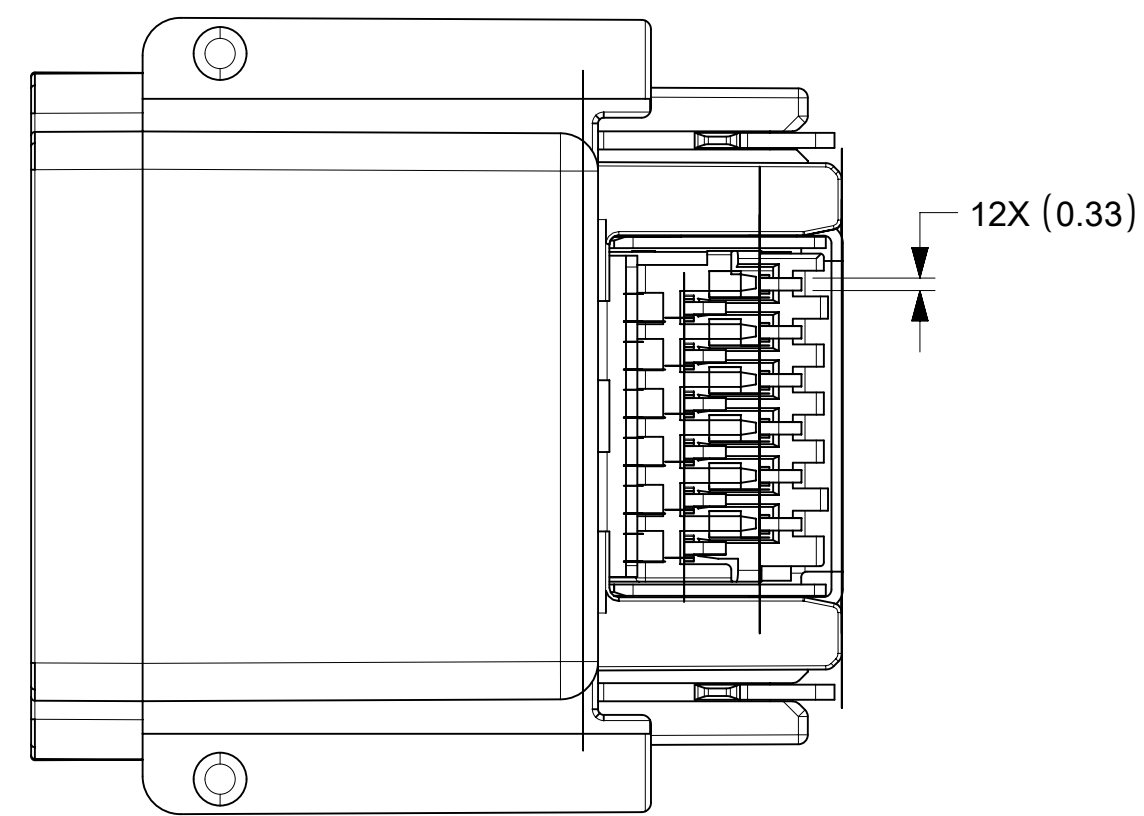
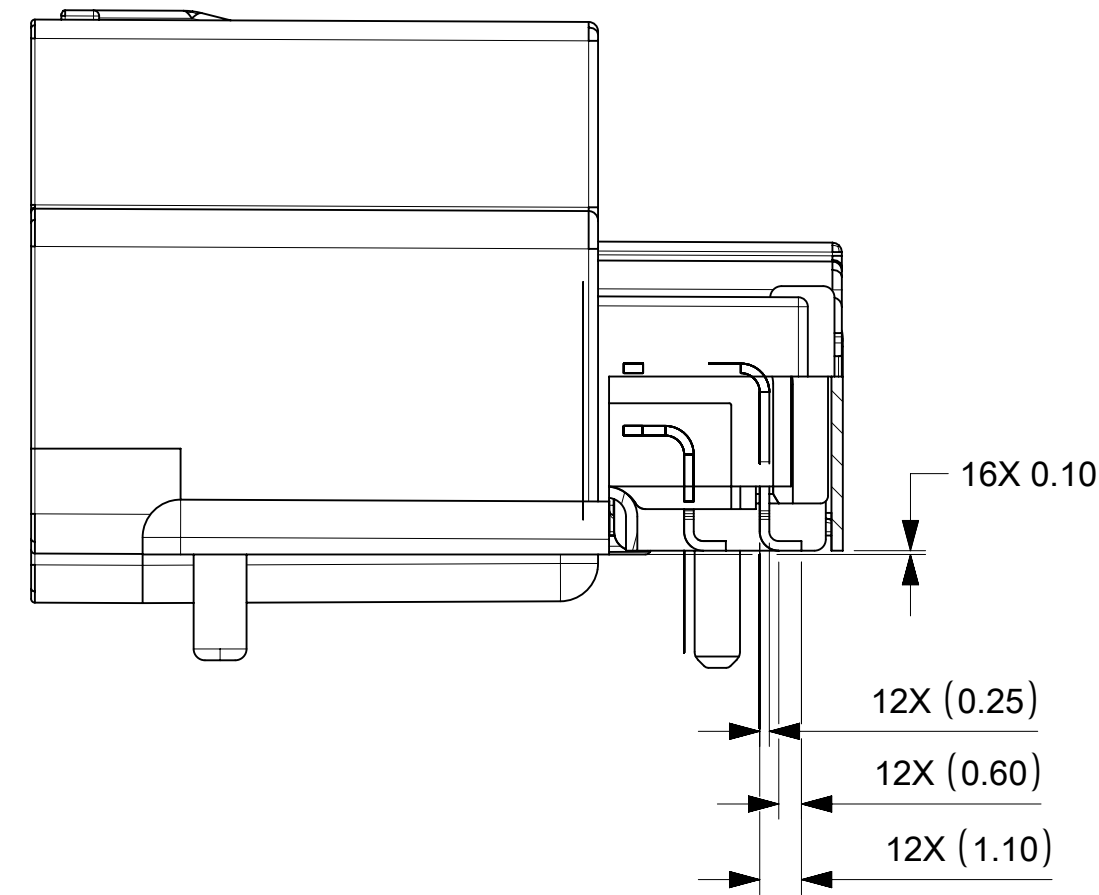
# SOLDER TAILS SIZE FOR REFERENCE ONLY



THIS DRAWING CONTAINS INFORMATION THAT IS PROPRIETARY TO MOLEX ELECTRONIC TECHNOLOGIES, LLC AND SHOULD NOT BE USED WITHOUT WRITTEN PERMISSION											
DIMENSION UNITS		SCALE		CURRENT REV DESC:							
mm		4:1									
GENERAL TOLERANCES (UNLESS SPECIFIED)											
ANGULAR TOL				± °							
4 PLACES				±							
3 PLACES				±							
2 PLACES				± 0.2							
1 PLACE				±							
0 PLACES				±							
DRAFT WHERE APPLICABLE MUST REMAIN WITHIN DIMENSIONS				THIRD ANGLE PROJECTION		DRAWING		SERIES		MATERIAL NUMBER	
		D-SIZE		34861		SEE SHEET 1		GENERAL MARKET		SHEET NUMBER	
										3 OF 4	
EC NO: 666583				DRWN: SMAMIDINAGAV				2021/03/17			
CHK'D: DGILKEY				APPR: DGILKEY				2021/06/21			
INITIAL REVISION:				DRWN: XLHE14				2018/06/25			
				APPR: DNAYLIS				2018/06/27			
DOCUMENT NUMBER				DOC TYPE		DOC PART		REVISION			
348611406				PSD		000		C6			

SMT VERSION WITH  
HIGH SPEED INSERTS  
(NOT QUALIFIED)

# RECOMMENDED SMT PCB LAYOUT HEADER SIDE PCB \*NOT QUALIFIED\*



THIS DRAWING CONTAINS INFORMATION THAT IS PROPRIETARY TO MOLEX ELECTRONIC TECHNOLOGIES, LLC AND SHOULD NOT BE USED WITHOUT WRITTEN PERMISSION

DIMENSION UNITS <b>mm</b>	SCALE <b>10:1</b>	CURRENT REV DESC:	<b>molex</b>		
GENERAL TOLERANCES (UNLESS SPECIFIED)					
ANGULAR TOL	± °	EC NO: 666583	PRODUCT CUSTOMER DRAWING		
4 PLACES	±	DRWN: SMAMIDINAGAV 2021/03/17	DOCUMENT NUMBER		
3 PLACES	±	CHK'D: DGILKEY 2021/06/21	DOC TYPE DOC PART REVISION		
2 PLACES	± 0.2	APPR: DGILKEY 2021/06/21	348611406 PSD 000 C6		
1 PLACE	±	INITIAL REVISION:	MATERIAL NUMBER CUSTOMER SHEET NUMBER		
0 PLACES	±	DRWN: XLHE14 2018/06/25	34861 GENERAL MARKET 4 OF 4		
DRAFT WHERE APPLICABLE MUST REMAIN WITHIN DIMENSIONS		THIRD ANGLE PROJECTION	DRAWING <b>D-SIZE</b>	SERIES <b>34861</b>	