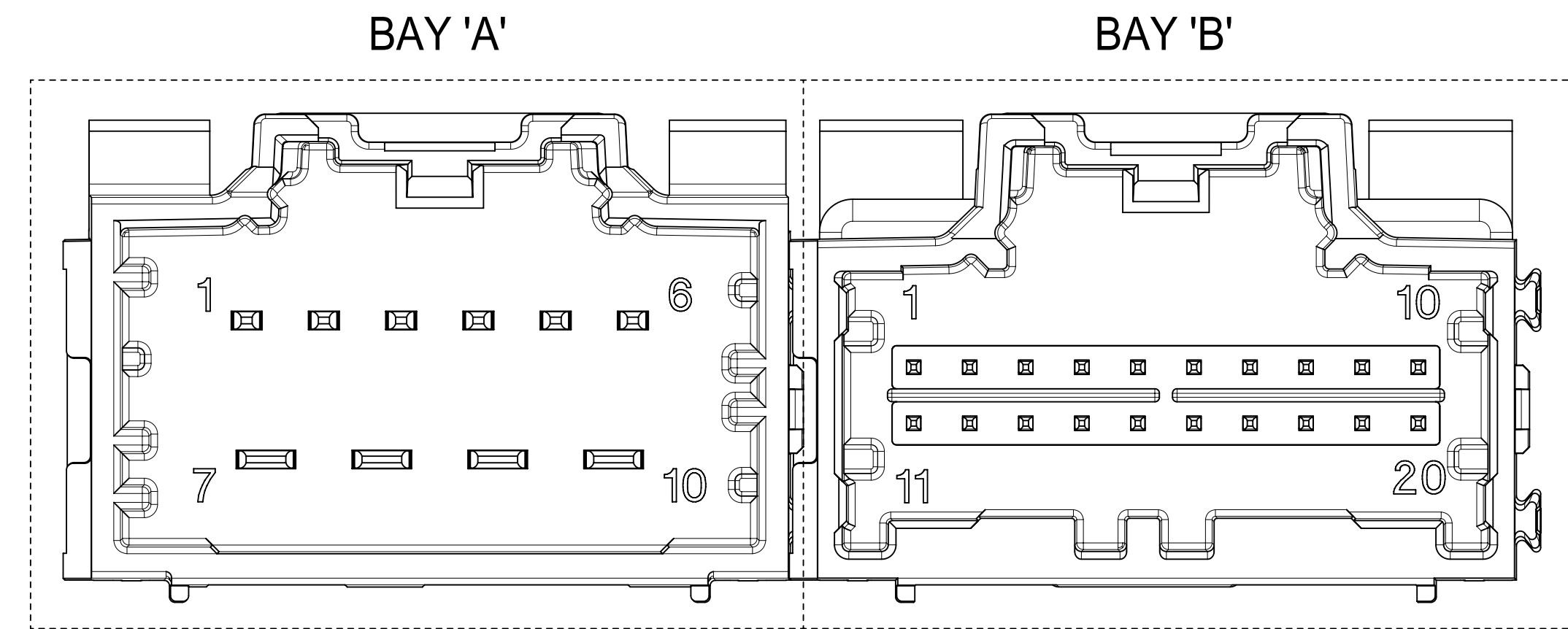


2 BAY STAC64 VERTICAL HEADER ASSEMBLY (P/N: 34707-2012 SHOWN)

DIMENSIONAL CHART FOR MULTIBAY CONFIGURATION:

PART NUMBER (TUBE PKG)	PART NUMBER (TRAY PKG)	BAY A			BAY B			DIM 'A'	DIM 'B'	DIM 'C'	DIM 'D'
		CKT	TYPE	POL	CKT	TYPE	POL				
34707-7000	34707-2000	20	0.64mm	A	20	0.64mm	B	66.94	64.47	27.94	27.94
TBD	34707-2001	20	0.64mm	A	20	0.64mm	C	66.94	64.47	27.94	27.94
TBD	34707-2002	20	0.64mm	C	20	0.64mm	D	66.94	64.47	27.94	27.94
TBD	34707-2003	20	0.64mm	C	20	0.64mm	A	66.94	64.47	27.94	27.94
TBD	34707-2004	12	0.64mm	A	20	0.64mm	A	56.78	54.31	17.78	27.94
TBD	34707-2005	12	0.64mm	A	10	HYBRID	A	56.78	54.31	17.78	27.94
TBD	34707-2006	12	0.64mm	B	10	HYBRID	A	56.78	54.31	17.78	27.94
TBD	34707-2007	10	HYBRID	A	20	0.64mm	B	66.94	64.47	27.94	27.94
34707-7012	34707-2012	10	HYBRID	A	20	0.64mm	C	66.94	64.47	27.94	27.94
TBD	34707-2022	20	0.64mm	C	10	HYBRID	A	66.94	64.47	27.94	27.94
TBD	34707-2023	20	0.64mm	A	20	0.64mm	D	66.94	64.47	27.94	27.94
TBD	34707-2030	10	HYBRID	B	10	HYBRID	A	66.94	64.47	27.94	27.94
TBD	34707-2040	12	0.64mm	A	12	0.64mm	B	46.62	44.15	17.78	17.78
TBD	34707-2050	20	0.64mm	A	16	0.64mm	A	61.86	59.39	27.94	22.86
TBD	34707-2060	20	0.64mm	A	12	0.64mm	A	56.78	54.31	27.94	17.78
TBD	34707-2070	16	0.64mm	A	8	0.64mm	C	46.62	44.15	22.86	12.70
34707-7080	34707-2080	12	0.64mm	A	20	0.64mm	B	56.78	54.31	17.78	27.94
TBD	34707-2090	16	0.64mm	A	16	0.64mm	B		54.31		



NOTES: VALID UNLESS OTHERWISE SPECIFIED

1. GENERAL:

a. CONNECTOR HEADER MUST BE VALIDATED TO THE FOLLOWING FUNCTIONAL REQUIREMENTS:

PRODUCT SPECIFICATION:
8-20 CKT 0.64mm PRODUCT SPEC: PS-34729-100/PS-31408-100
10/14 CKT HYBRID PRODUCT SPEC: PS-31372-100

b. APPLICATION REQUIREMENTS (REFERENCE ONLY):

APPLICATION SPECIFICATION: AS-34729-020/AS-31408-100

c. PACKAGING SPECIFICATION PER MOLEX DRAWING PK-31300-892 (TRAY)

d. PACKAGING SPECIFICATION PER MOLEX DRAWING PK-31301-063 (TUBE)

2. DESIGN: MATERIALS:

a. SHROUD (PLASTIC HOUSING):

RESIN - SPS 30%GF

COLORS:

POL A - BLACK

POL B - GRAY

POL C - BROWN

POL D - GREEN

b. 0.64mm PINS:

BASE MATERIAL: C26000

PLATING TYPE: AS NOTED

1.50/2.80mm BLADES:

BASE MATERIAL: C19400

PLATING TYPE: AS NOTED

3. PLATING REQUIREMENTS:

a. UNDERPLATING - OVERALL NICKEL

b. OVERPLATING - OVERALL TIN

4. FOR DESCRIPTION OF INDIVIDUAL BAYS, REFER TO THE FOLLOWING

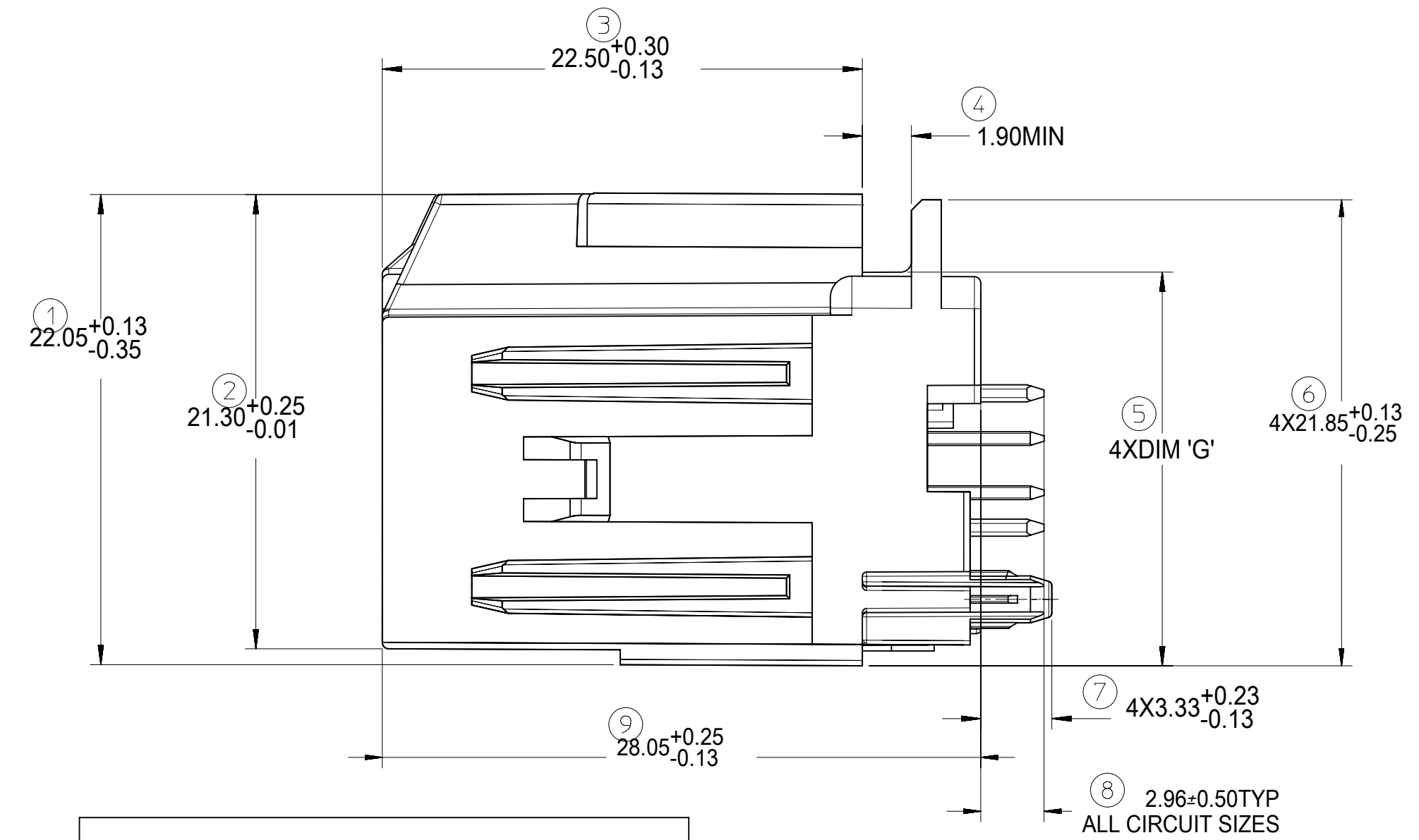
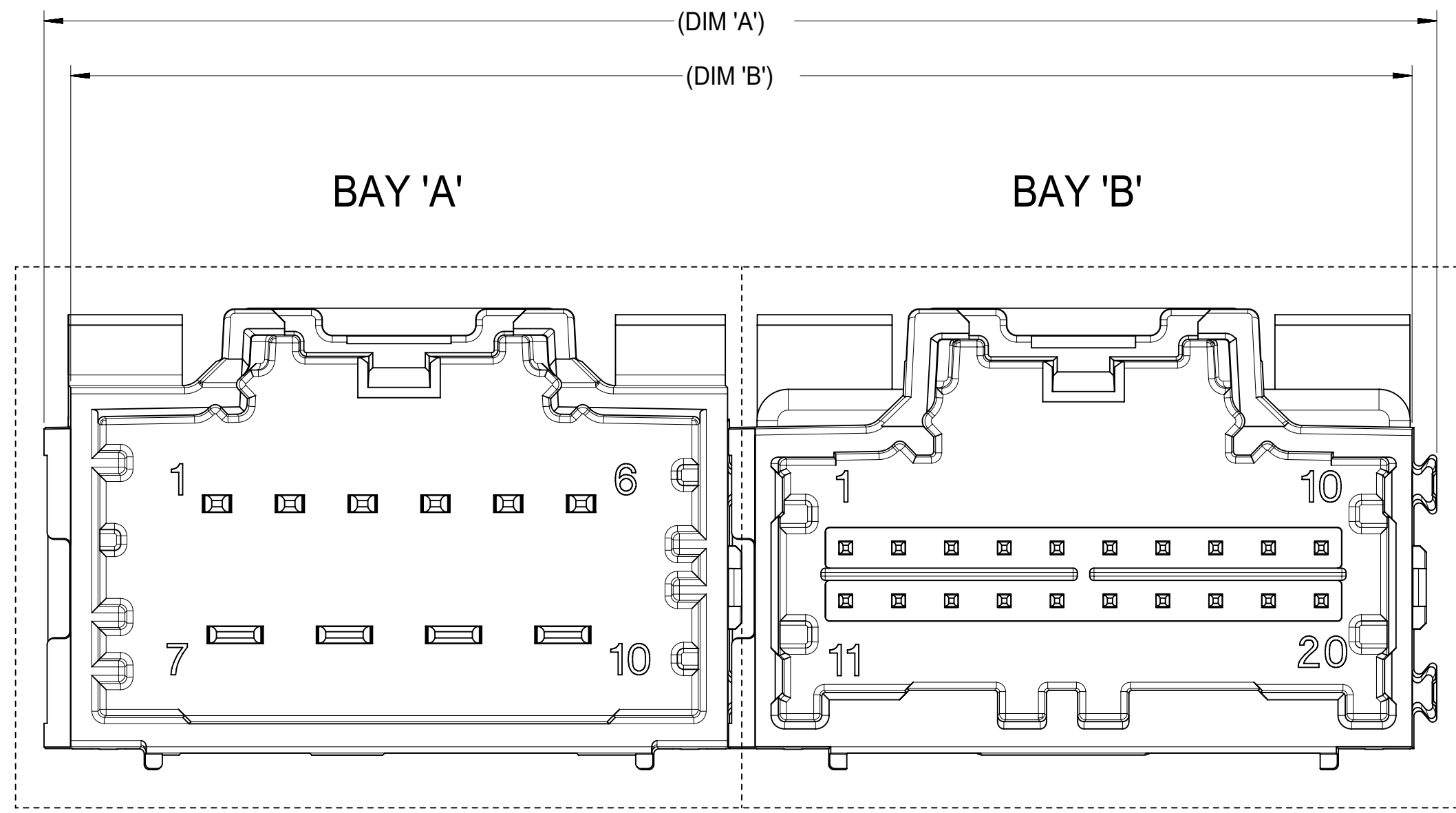
SINGLE BAY DRAWINGS:

8-20 CKT 0.64: SD-34690-100

10 CKT HYBRID: SD-34695-100

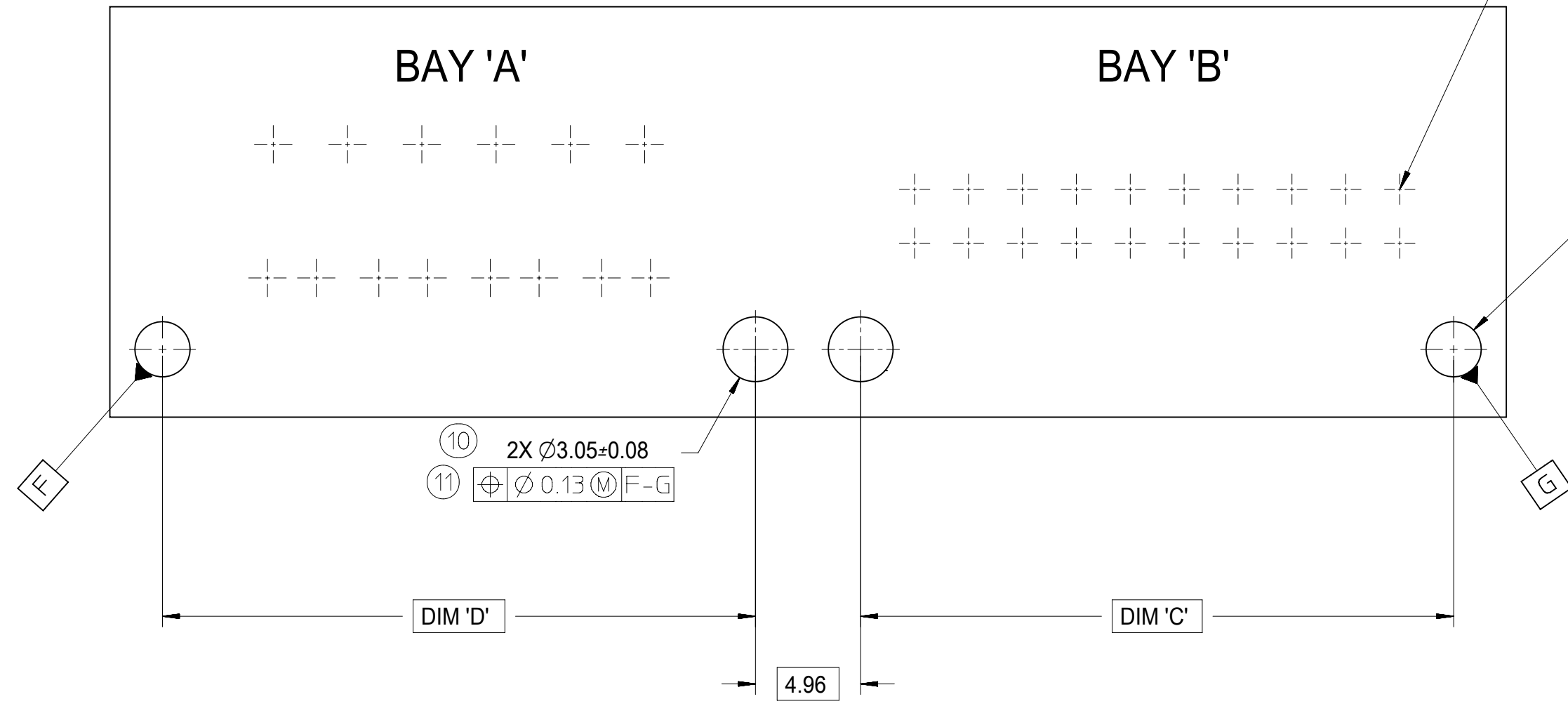
14 CKT HYBRID: SD-34772-200

SYMBOLS	THIS DRAWING CONTAINS INFORMATION THAT IS PROPRIETARY TO MOLEX ELECTRONIC TECHNOLOGIES, LLC AND SHOULD NOT BE USED WITHOUT WRITTEN PERMISSION		CURRENT REV DESC:		molex
	DIMENSION UNITS	SCALE			
▽ = 0	mm	4:1			2-BAY STAC64 VERTICAL HEADER ASSEMBLY SALES DRAWING
▽ = 0	GENERAL TOLERANCES (UNLESS SPECIFIED)				
▽ = 0	ANGULAR TOL ± 3.0°		EC NO: 612618		PRODUCT CUSTOMER DRAWING
▽ = 0	4 PLACES ±		DRWN: SHANDITHAVAL 2019/02/22		
▽ = 0	3 PLACES ±		CHK'D: RBAUMAN 2019/02/23		
▽ = 0	2 PLACES ± 0.13		APPR: RBAUMAN 2019/02/23		
▽ = 0	1 PLACE ± 0.25		INITIAL REVISION:		
▽ = 0	0 PLACES ±		DRWN: MBAILEY 2008/08/14		
▽ = 0	DRAFT WHERE APPLICABLE MUST REMAIN WITHIN DIMENSIONS		APPR: SMARCEAU 2008/08/14		
▽ = 0	THIRD ANGLE PROJECTION	DRAWING	SERIES	MATERIAL NUMBER	CUSTOMER
		D-SIZE	34707	SEE TABLE	GENERAL MARKET
					SHEET NUMBER
					1 OF 4



RECOMMENDED PCB LAYOUT

INSERT NECESSARY BAY'S USING THE CHART ON SHEET 1.



FOR HOLE LOCATION REFER TO TEMPLATE ON SHEET 4

FOR DIM G:

8-20CKT 0.64mm	18.40 MAX
10/14CKT Hybrid	18.59 MAX

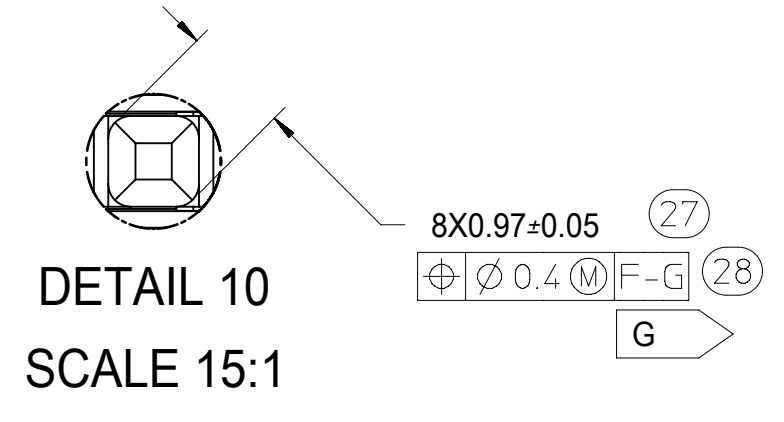
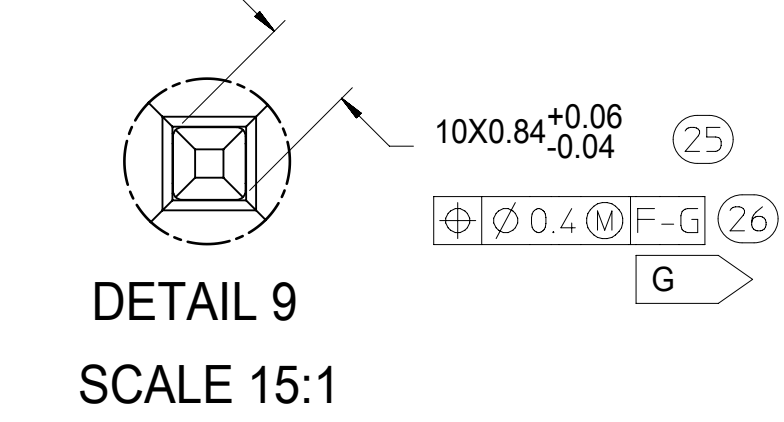
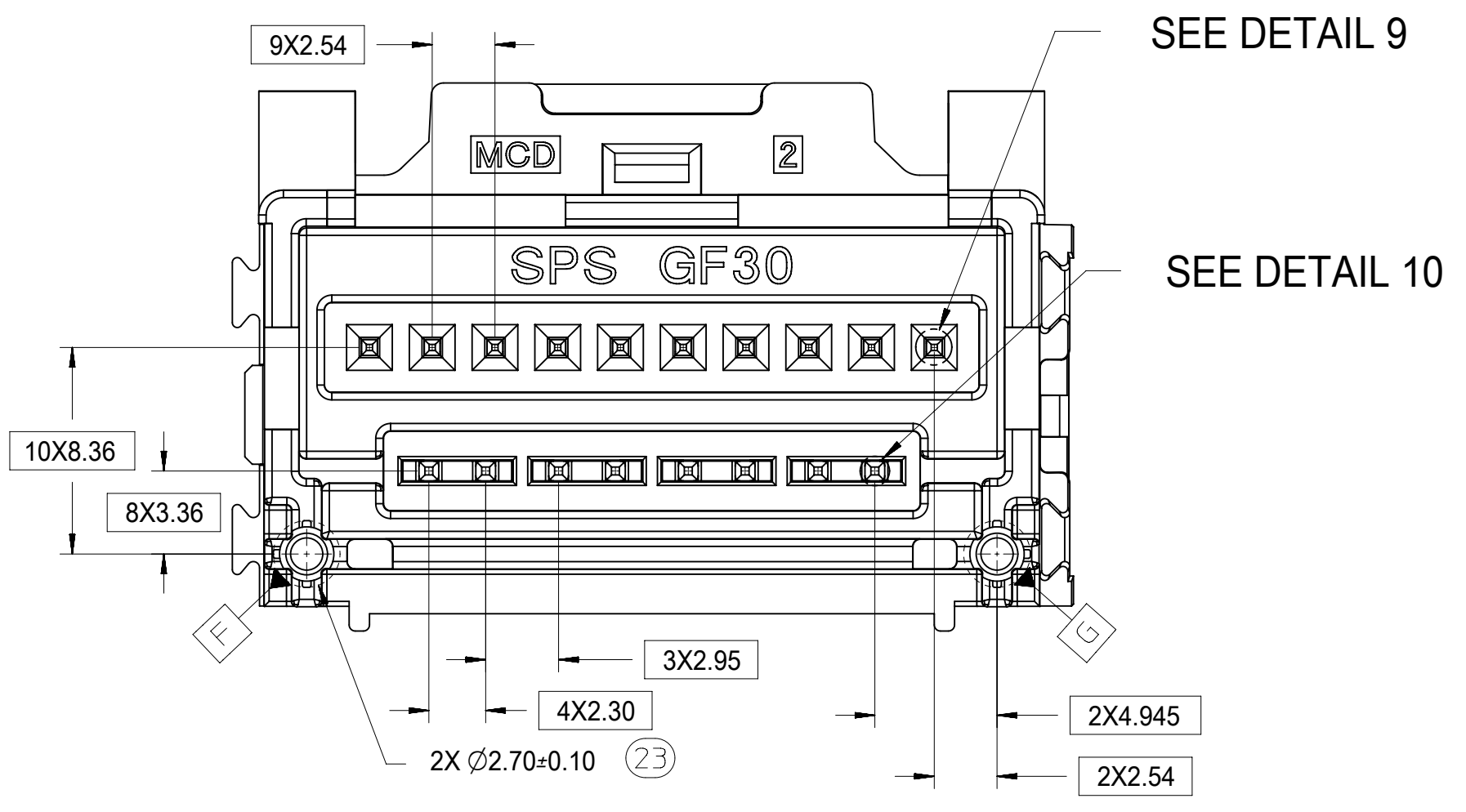
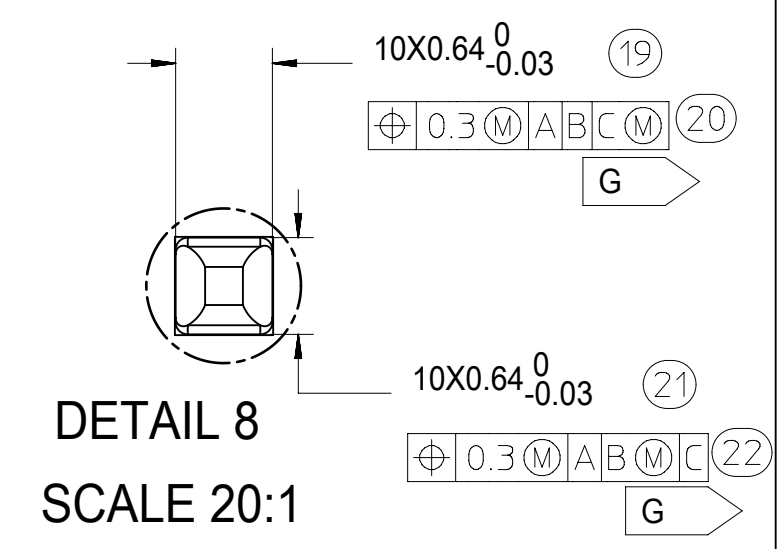
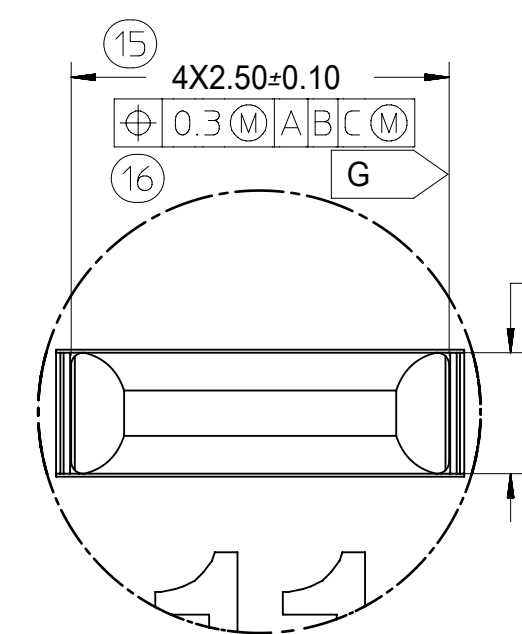
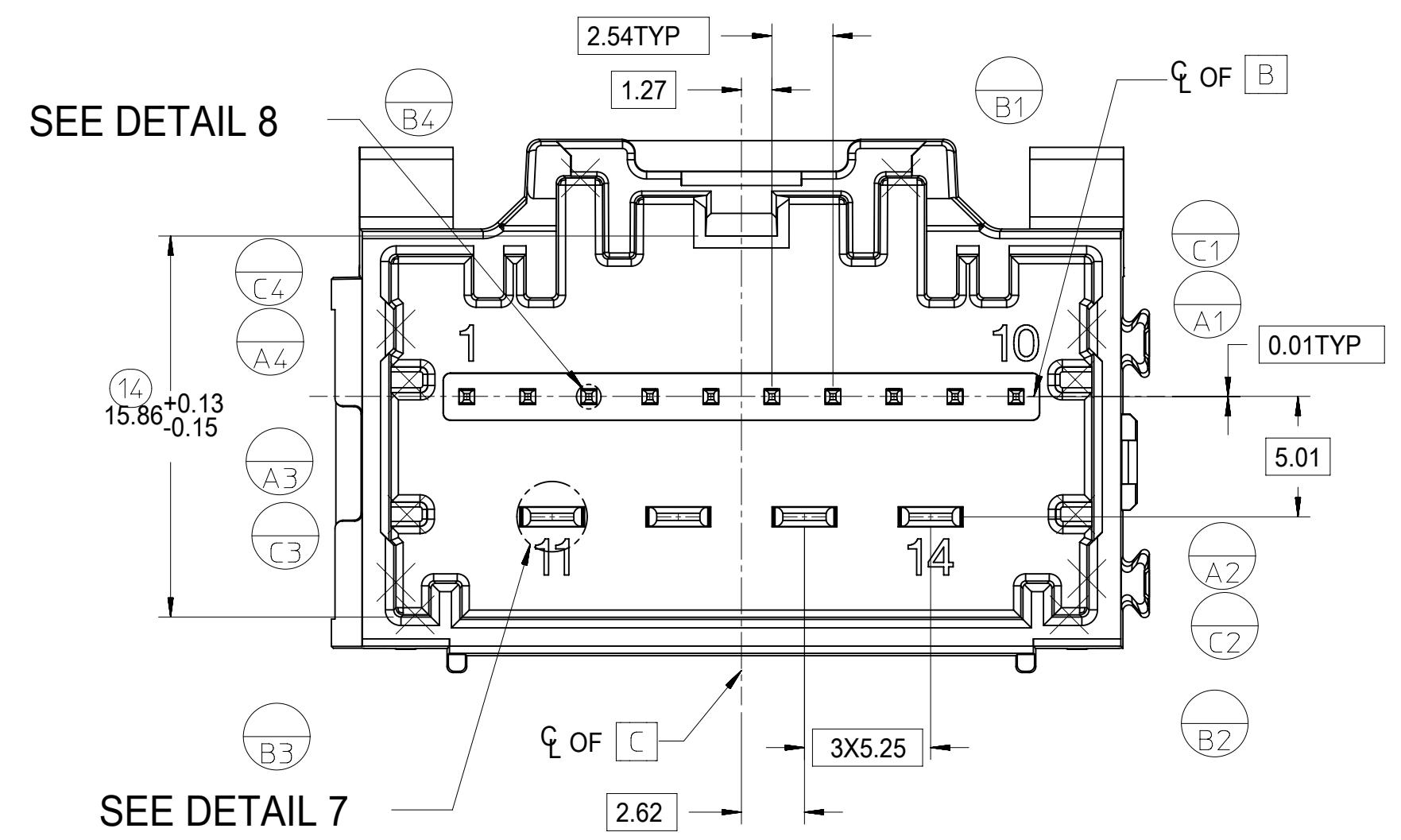
POST HOLE TABLE:

FOR DIM Z:

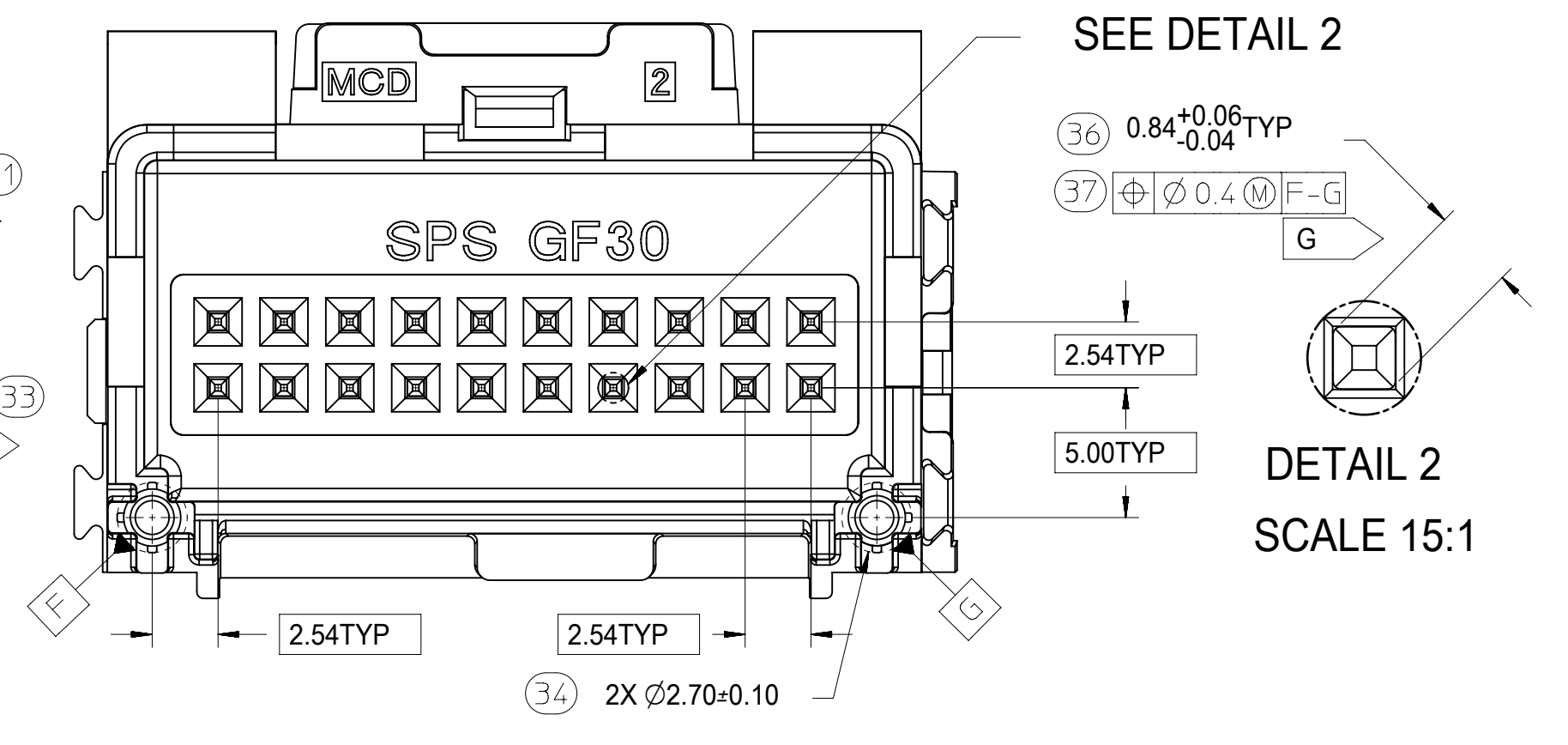
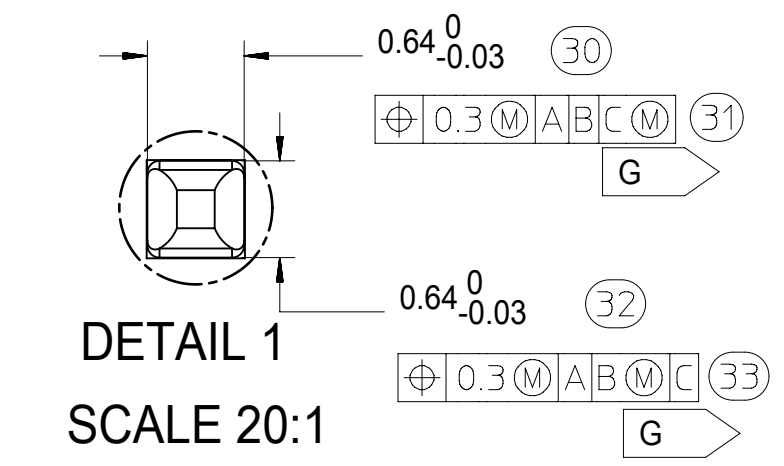
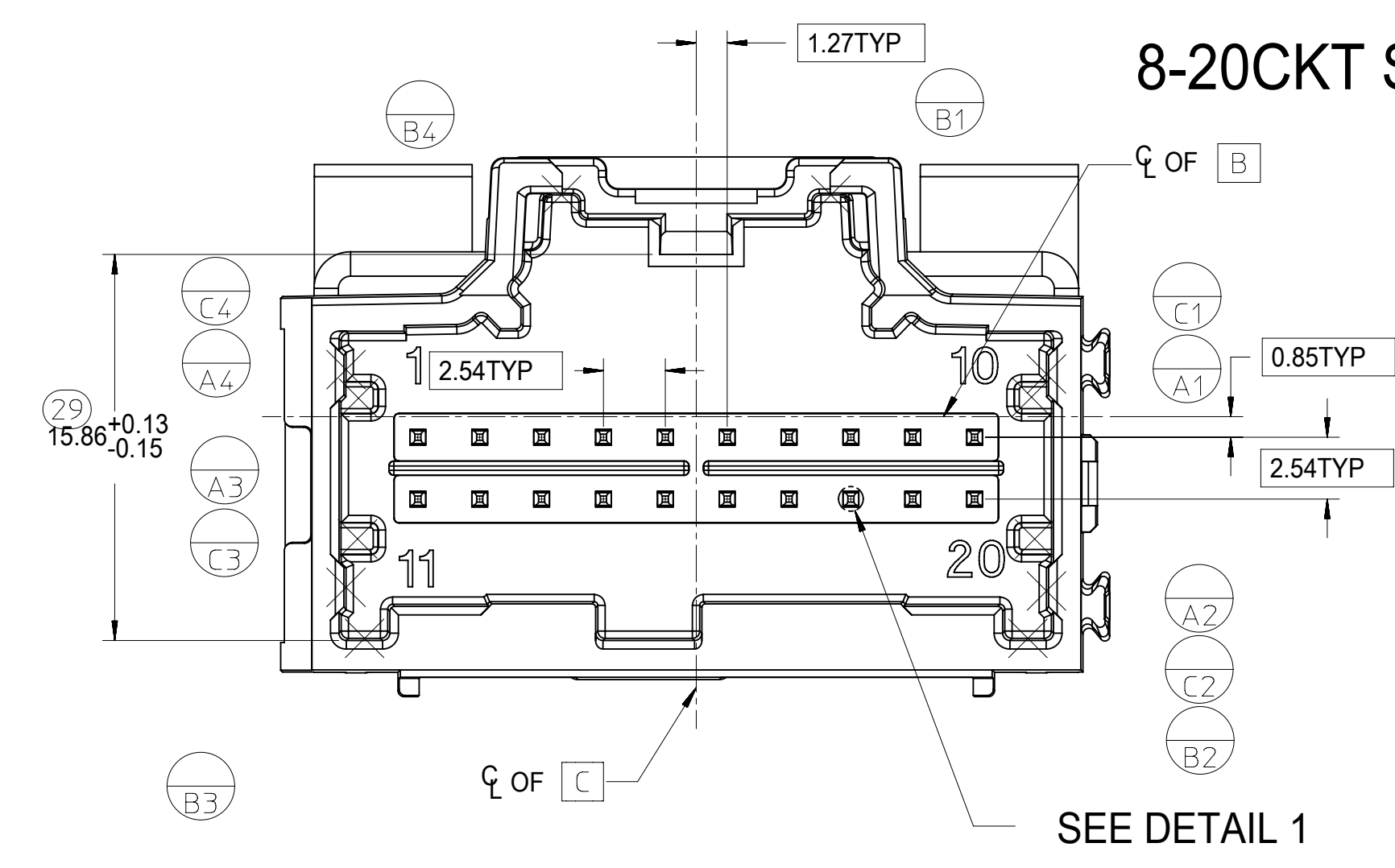
PRESS FIT:	2.60
DROP IN:	3.05

<p>SYMBOLS</p> <p>▽ = 0</p> <p>▽ = 0</p> <p>▽ = 0</p> <p>▽ = 0</p> <p>▽ = 0</p> <p>▽ = 0</p> <p>▽ = 0</p> <p>▽ = 0</p> <p>▽ = 0</p> <p>▽ = 0</p>	<p>THIS DRAWING CONTAINS INFORMATION THAT IS PROPRIETARY TO MOLEX ELECTRONIC TECHNOLOGIES, LLC AND SHOULD NOT BE USED WITHOUT WRITTEN PERMISSION</p>		<p>SCALE</p> <p>4:1</p>		<p>CURRENT REV DESC:</p>														
	<p>mm</p>		<p>GENERAL TOLERANCES (UNLESS SPECIFIED)</p>		<p>EC NO: 612618</p> <p>DRWN: SHANDITHAVAL 2019/02/22</p> <p>CHK'D: RBAUMAN 2019/02/23</p> <p>APPR: RBAUMAN 2019/02/23</p>								<p>2-BAY STAC64 VERTICAL HEADER ASSEMBLY SALES DRAWING</p>						
<p>ANGULAR TOL ± 3.0°</p>		<p>4 PLACES ±</p>		<p>3 PLACES ±</p>		<p>2 PLACES ± 0.13</p>		<p>INITIAL REVISION:</p>		<p>PRODUCT CUSTOMER DRAWING</p>									
<p>1 PLACE ± 0.25</p>		<p>0 PLACES ±</p>		<p>DRAFT WHERE APPLICABLE MUST REMAIN WITHIN DIMENSIONS</p>		<p>THIRD ANGLE PROJECTION</p>		<p>DRAWING</p> <p>D-SIZE</p>		<p>SERIES</p> <p>34707</p>		<p>DOCUMENT NUMBER</p> <p>SD-34707-200</p>		<p>DOC TYPE</p> <p>PSD</p>		<p>DOC PART</p> <p>001</p>		<p>REVISION</p> <p>K7</p>	
<p>MATERIAL NUMBER</p> <p>SEE TABLE</p>				<p>CUSTOMER</p> <p>GENERAL MARKET</p>				<p>SHEET NUMBER</p> <p>2 OF 4</p>											

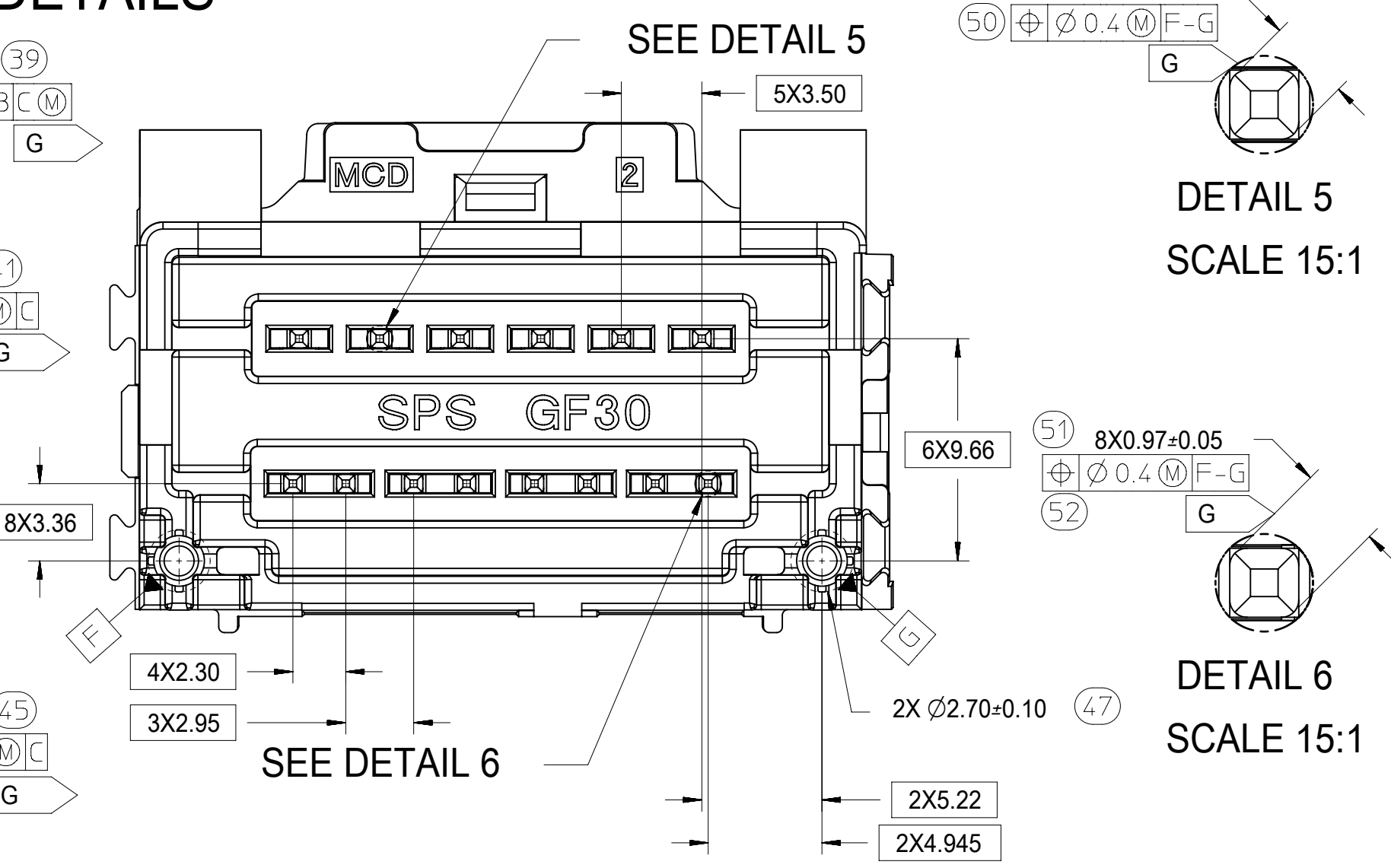
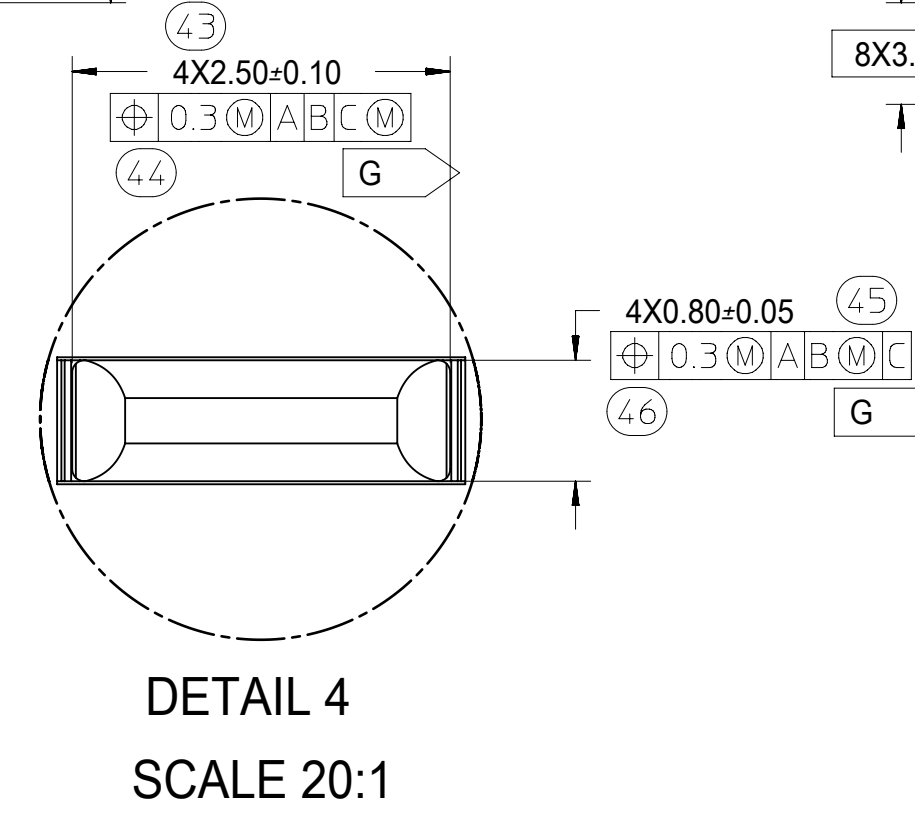
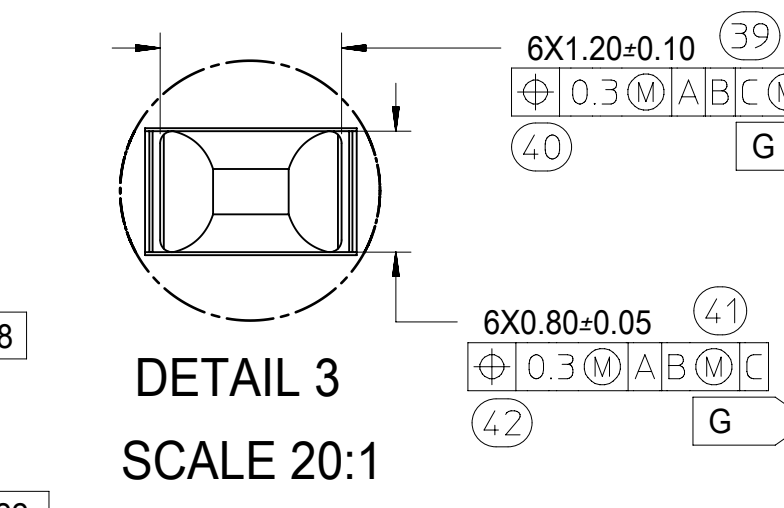
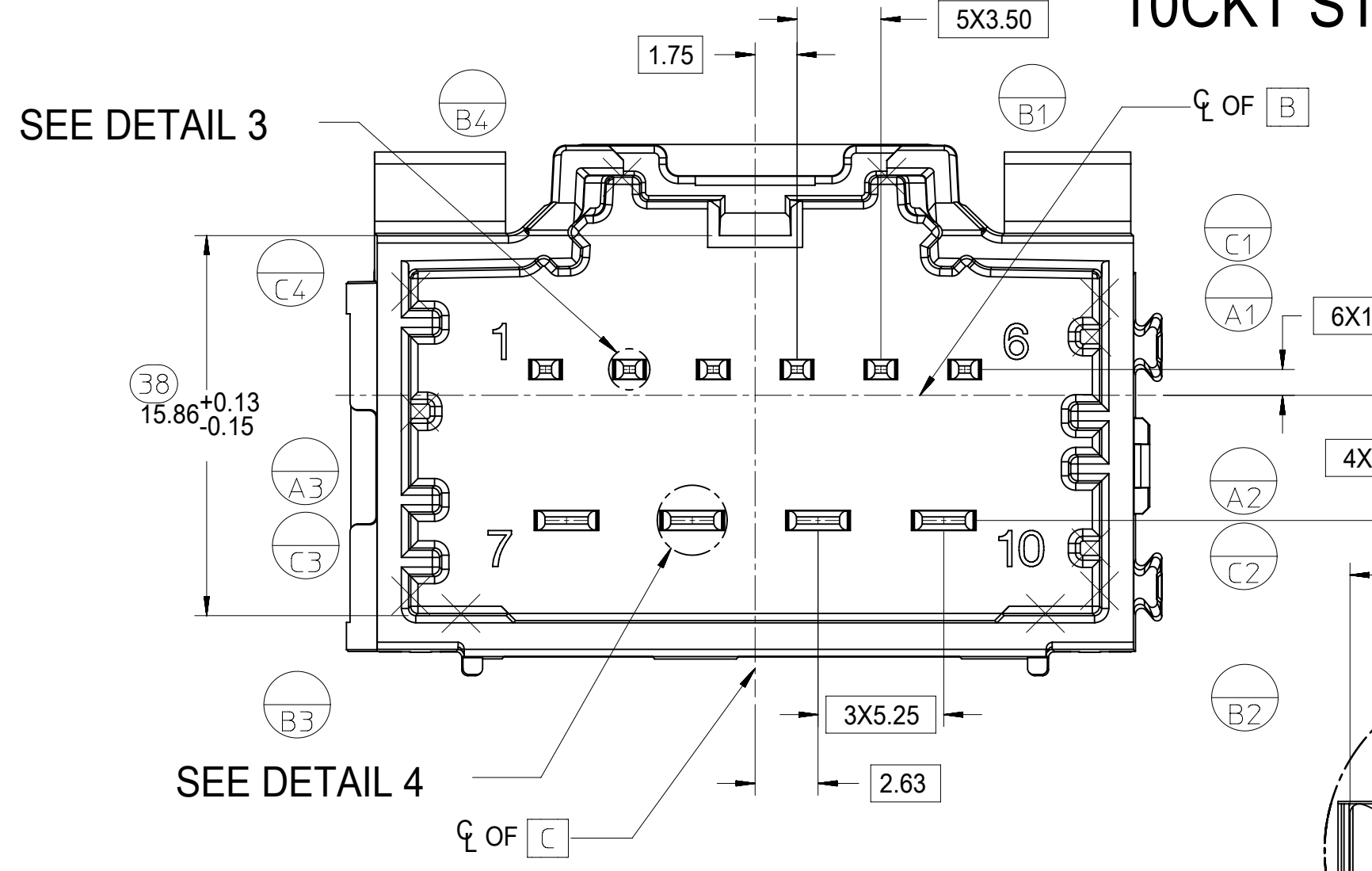
14CKT STAC HYBRID HEADER DETAILS



8-20CKT STAC 0.64mm HEADER DETAILS



10CKT STAC HYBRID HEADER DETAILS



THIS DRAWING CONTAINS INFORMATION THAT IS PROPRIETARY TO MOLEX ELECTRONIC TECHNOLOGIES, LLC AND SHOULD NOT BE USED WITHOUT WRITTEN PERMISSION

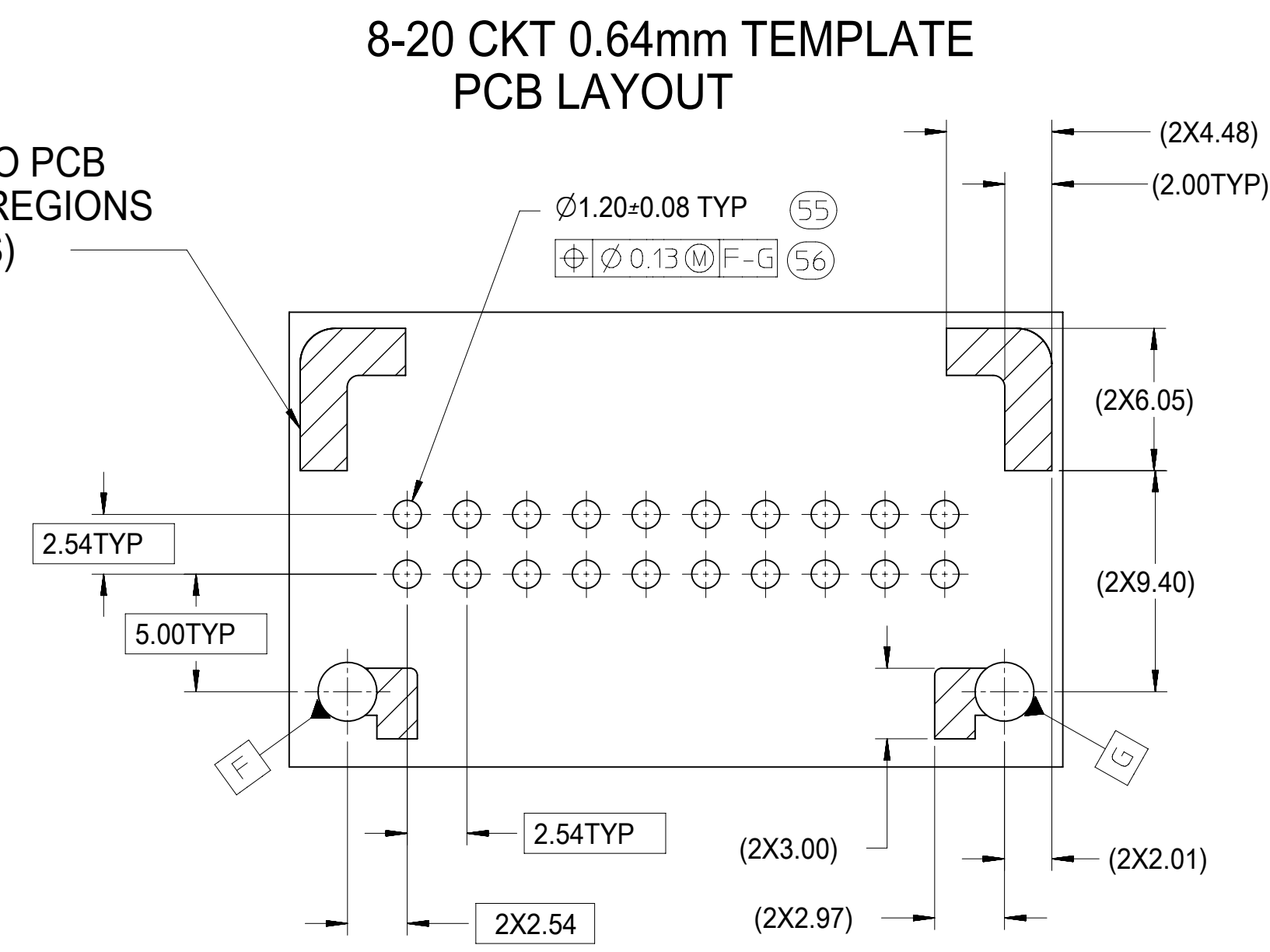
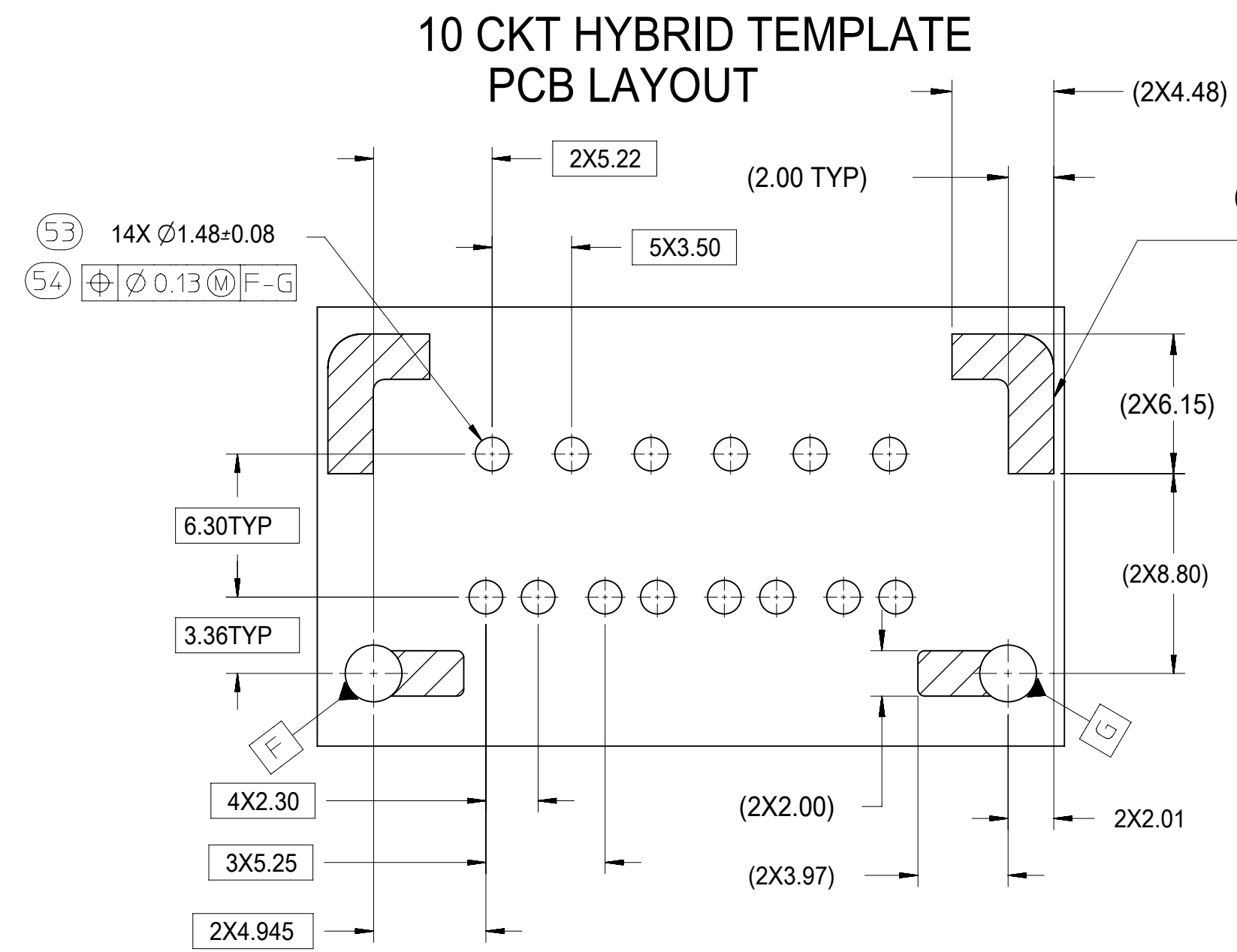
SYMBOLS	mm SCALE 4:1	CURRENT REV DESC:
▽ = 0	GENERAL TOLERANCES (UNLESS SPECIFIED)	EC NO: 612618
▽ = 0	ANGULAR TOL ± 3.0°	DRWN: SHANDITHAVAL 2019/02/22
▽ = 0	4 PLACES ±	CHK'D: RBAUMAN 2019/02/23
▽ = 0	3 PLACES ±	APPR: RBAUMAN 2019/02/23
▽ = 0	2 PLACES ± 0.13	INITIAL REVISION:
▽ = 0	1 PLACE ± 0.25	DRWN: MBAILEY 2008/08/14
▽ = 0	0 PLACES ±	APPR: SMARCEAU 2008/08/14
▽ = 0	DRAFT WHERE APPLICABLE MUST REMAIN WITHIN DIMENSIONS	THIRD ANGLE PROJECTION
▽ = 0		DRAWING D-SIZE
		SERIES 34707

molex

2-BAY STAC64 VERTICAL
HEADER ASSEMBLY SALES DRAWING

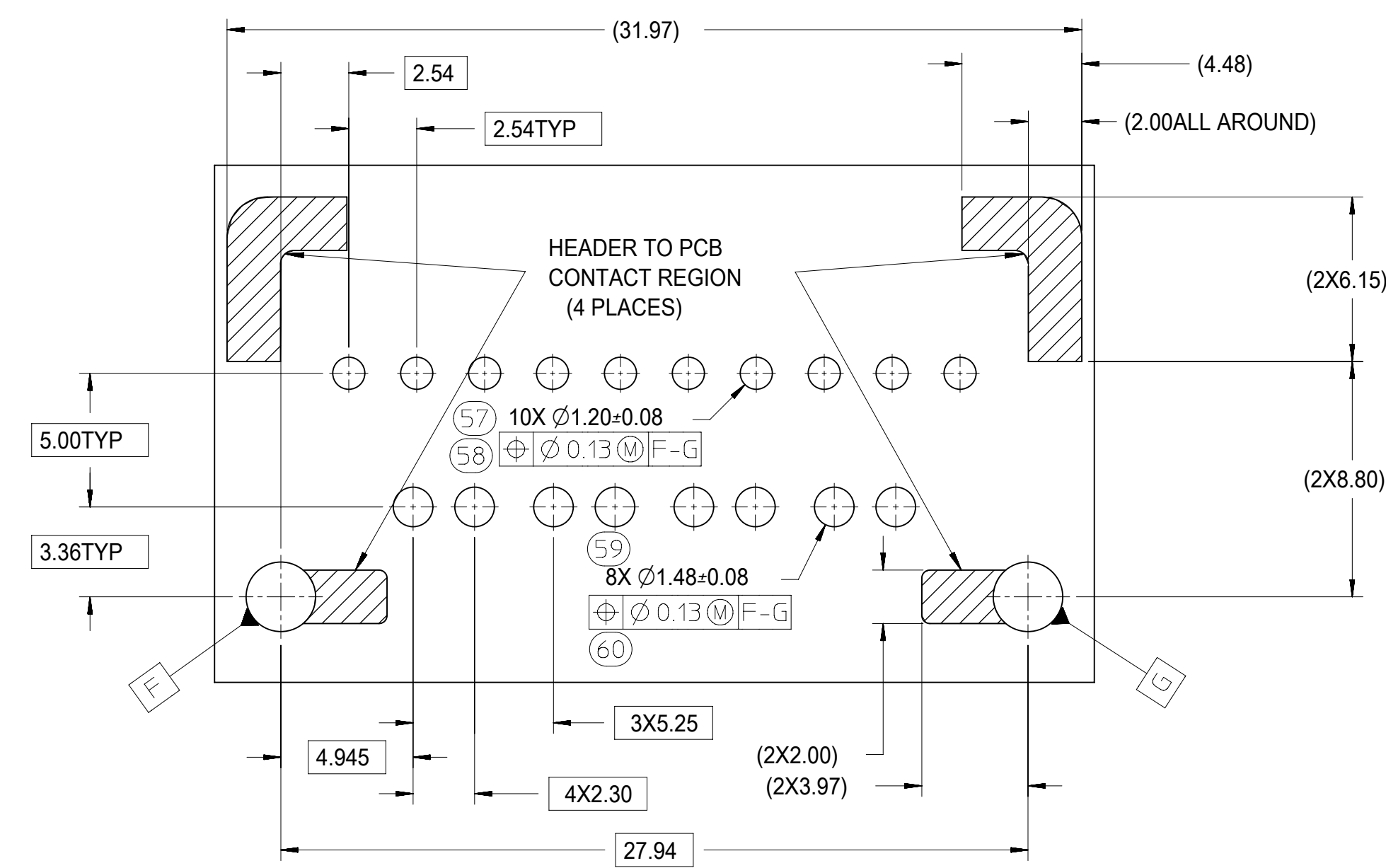
PRODUCT CUSTOMER DRAWING

DOCUMENT NUMBER	DOC TYPE	DOC PART	REVISION
SD-34707-200	PSD	001	K7
MATERIAL NUMBER	CUSTOMER	SHEET NUMBER	
SEE TABLE	GENERAL MARKET	3 OF 4	



HEADER TO PCB CONTACT REGIONS (8 PLACES)

14 CKT HYBRID TEMPLATE PCB LAYOUT



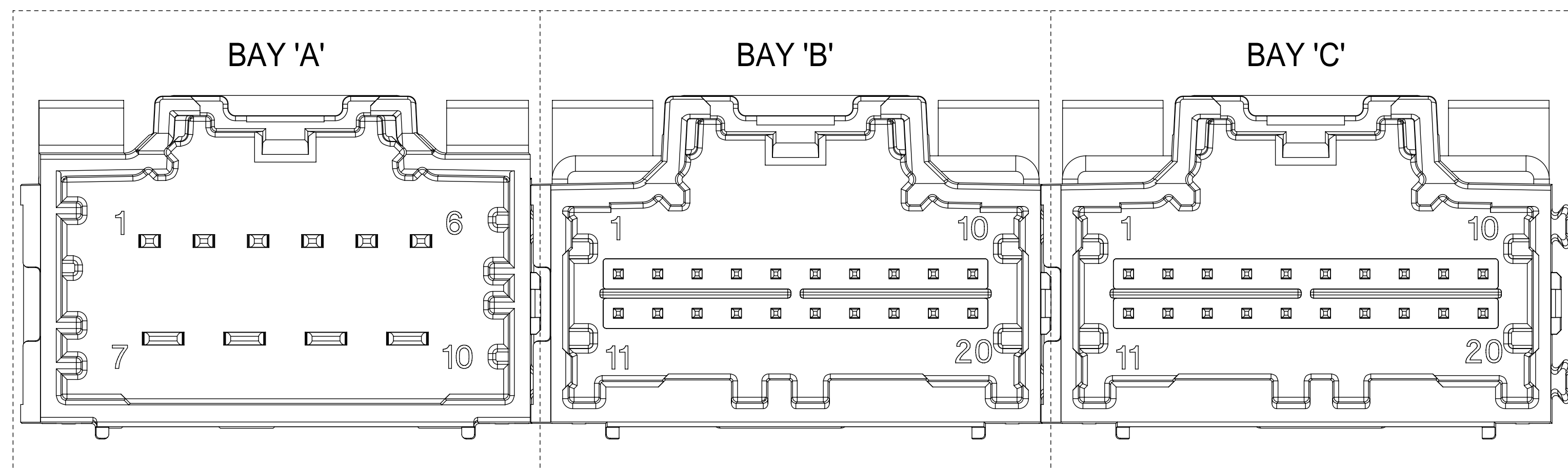
HEADER TO PCB CONTACT REGION (4 PLACES)

SYMBOLS	THIS DRAWING CONTAINS INFORMATION THAT IS PROPRIETARY TO MOLEX ELECTRONIC TECHNOLOGIES, LLC AND SHOULD NOT BE USED WITHOUT WRITTEN PERMISSION		
	DIMENSION UNITS	SCALE	CURRENT REV DESC:
▽ = 0	mm	4:1	<p>molex</p> <p>2-BAY STAC64 VERTICAL HEADER ASSEMBLY SALES DRAWING</p> <p>PRODUCT CUSTOMER DRAWING</p> <p>DOCUMENT NUMBER: SD-34707-200 DOC TYPE: PSD DOC PART: 001 REVISION: K7</p> <p>MATERIAL NUMBER: SEE TABLE CUSTOMER: GENERAL MARKET SHEET NUMBER: 4 OF 4</p>
▽ = 0	GENERAL TOLERANCES (UNLESS SPECIFIED)		
▽ = 0	ANGULAR TOL ± 3.0°		
▽ = 0	4 PLACES ±		
▽ = 0	3 PLACES ±		
▽ = 0	2 PLACES ± 0.13		
▽ = 0	1 PLACE ± 0.25		
▽ = 0	0 PLACES ±		
▽ = 0	DRAFT WHERE APPLICABLE MUST REMAIN WITHIN DIMENSIONS	THIRD ANGLE PROJECTION	<p>EC NO: 612618</p> <p>DRWN: SHANDITHAVAL 2019/02/22</p> <p>CHK'D: RBAUMAN 2019/02/23</p> <p>APPR: RBAUMAN 2019/02/23</p> <p>INITIAL REVISION:</p> <p>DRWN: MBAILEY 2008/08/14</p> <p>APPR: SMARCEAU 2008/08/14</p>
▽ = 0	D-DRAWING	SERIES	<p>D-DRAWING 34707</p>

DIMENSIONAL CHART FOR MULTIBAY CONFIGURATION:

PART NUMBER (TUBE PKG)	PART NUMBER (TRAY PKG)	BAY A			BAY B			BAY C			DIM 'A'	DIM 'B'	DIM 'C'	DIM 'D'	DIM 'E'
		CKT	TYPE	POL	CKT	TYPE	POL	CKT	TYPE	POL					
TBD	34707-3010	20	0.64mm	A	8	0.64mm	A	16	0.64mm	A	79.52	77.05	22.86	12.70	27.94
TBD	34707-3020	16	0.64mm	B	8	0.64mm	B	20	0.64mm	B	79.52	77.05	27.94	12.70	22.86
TBD	34707-3021	10	HYBRID	A	20	0.64mm	C	20	0.64mm	D	99.84	97.37	27.94	27.94	27.94
TBD	34707-3030	12	0.64mm	A	20	0.64mm	C	20	0.64mm	D	89.68	87.21	27.94	27.94	17.78
TBD	34707-3040	20	0.64mm	A	20	0.64mm	B	20	0.64mm	C	99.84	97.37	27.94	27.94	27.94
TBD	34707-3050	16	0.64mm	A	16	0.64mm	B	16	0.64mm	C	84.60	82.13	22.86	22.86	22.86
TBD	34707-3060	20	0.64mm	B	16	0.64mm	C	10	HYBRID	A	94.76	92.29	27.94	22.86	27.94
TBD	34707-3070	10	HYBRID	A	10	HYBRID	B	10	HYBRID	C	99.84	97.37	27.94	27.94	27.94
TBD	34707-3090	20	0.64mm	A	20	0.64mm	C	8	0.64mm	B	84.60	82.13	27.94	27.94	12.70
TBD	34707-3100	14	HYBRID	A	20	0.64mm	A	20	0.64mm	B	99.84	97.37	27.94	27.94	27.94

3-BAY STAC64 VERTICAL HEADER ASSEMBLY
(P/N: 34707-3021 SHOWN)



NOTES: VALID UNLESS OTHERWISE SPECIFIED
1. GENERAL:

a. CONNECTOR HEADER MUST BE VALIDATED TO THE FOLLOWING FUNCTIONAL REQUIREMENTS:

PRODUCT SPECIFICATION:
8-20 CKT 0.64mm PRODUCT SPEC: PS-34729-020/PS-31408-100
10/14 CKT HYBRID PRODUCT SPEC: PS-31372-100

b. APPLICATION REQUIREMENTS (REFERENCE ONLY):

APPLICATION SPECIFICATION: AS-34729-020/AS-31408-100

c. PACKAGING SPECIFICATION PER MOLEX DRAWING PK-31300-892 (TRAY)
c. PACKAGING SPECIFICATION PER MOLEX DRAWING PK-31301-063 (TUBE)

2. DESIGN: MATERIALS:

a. SHROUD (PLASTIC HOUSING):
RESIN - SPS 30%GF
COLOR:
POL A - BLACK
POL B - GRAY
POL C - BROWN
POL D - GREEN

b. 0.64mm PINS:
BASE MATERIAL: C26000
PLATING TYPE: AS NOTED

1.50/2.80mm BLADES:
BASE MATERIAL: C19400
PLATING TYPE: AS NOTED

3. PLATING REQUIREMENTS:

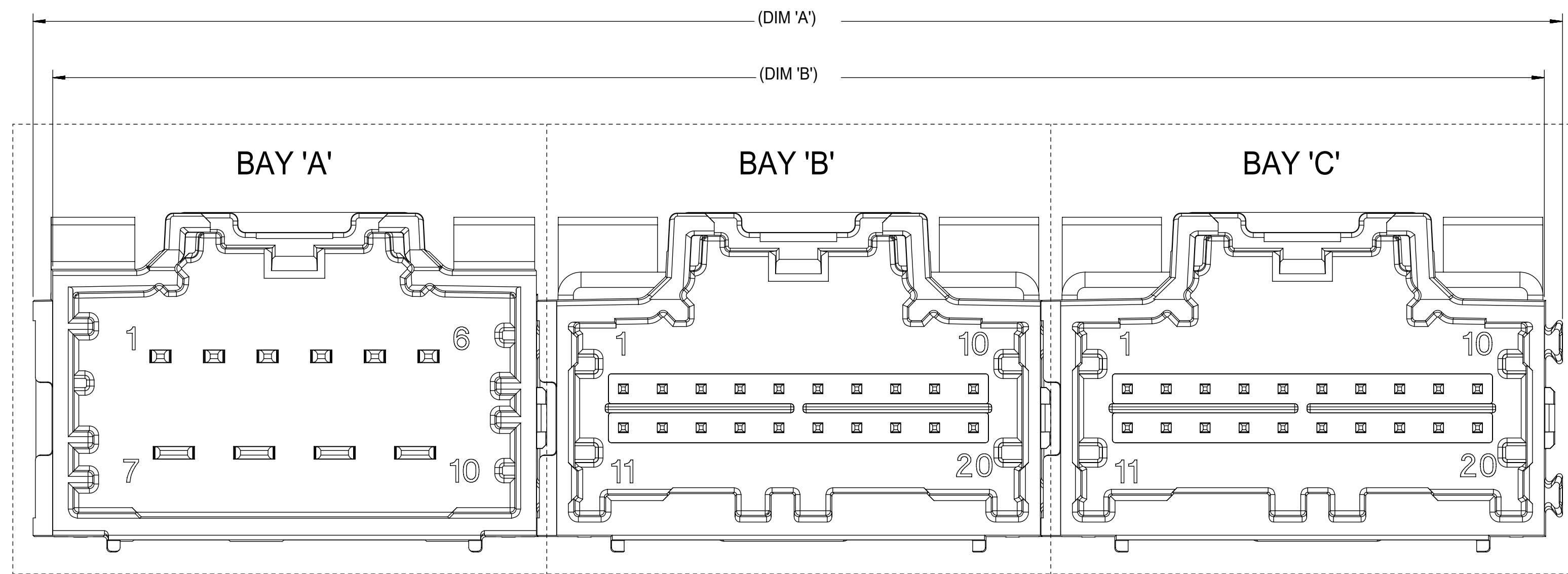
a. UNDERPLATING - OVERALL NICKEL

b. OVERPLATING - OVERALL TIN

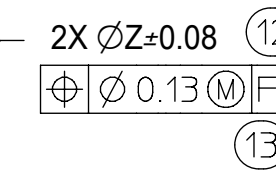
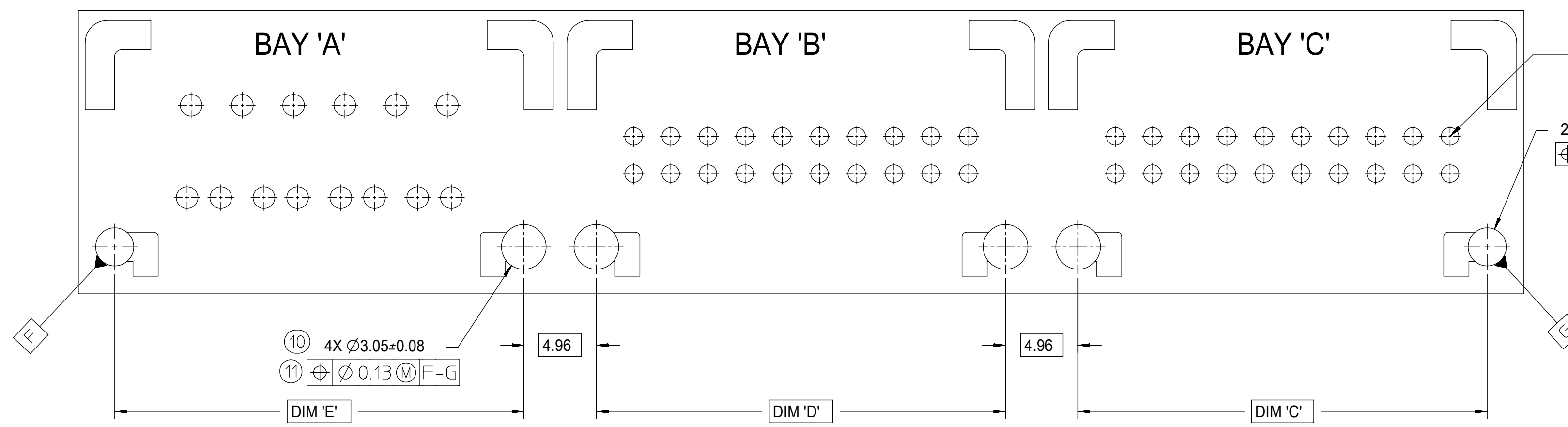
4. FOR DESCRIPTION OF INDIVIDUAL BAYS, REFER TO THE FOLLOWING

SINGLE BAY DRAWINGS:
8-20 CKT 0.64: SD-34690-100
10 CKT HYBRID: SD-34695-100
14 CKT HYBRID: SD-34772-200

SYMBOLS	THIS DRAWING CONTAINS INFORMATION THAT IS PROPRIETARY TO MOLEX ELECTRONIC TECHNOLOGIES, LLC AND SHOULD NOT BE USED WITHOUT WRITTEN PERMISSION		CURRENT REV DESC:		
	DIMENSION UNITS	SCALE			
▽ = 0	mm	4:1			3-BAY STAC64 VERTICAL HEADER ASSEMBLY SALES DRAWING PRODUCT CUSTOMER DRAWING
▽ = 0	GENERAL TOLERANCES (UNLESS SPECIFIED)				
▽ = 0	ANGULAR TOL ± 1.0°		EC NO: 612618		DOCUMENT NUMBER SD-34707-300
▽ = 0	4 PLACES ±		DRWN: SHANDITHAVAL 2019/02/22		
▽ = 0	3 PLACES ±		CHK'D: RBAUMAN 2019/02/23		DOC TYPE DOC PART REVISION PSD 001 K2
▽ = 0	2 PLACES ± 0.13		APPR: RBAUMAN 2019/02/23		
▽ = 0	1 PLACE ± 0.25		INITIAL REVISION:		MATERIAL NUMBER CUSTOMER SHEET NUMBER SEE TABLE GENERAL MARKET 1 OF 4
▽ = 0	0 PLACES ±		DRWN: JDUNAJ 2009/03/10		
▽ = 0	DRAFT WHERE APPLICABLE MUST REMAIN WITHIN DIMENSIONS		THIRD ANGLE PROJECTION	DRAWING	SERIES
▽ = 0				D-SIZE	34707



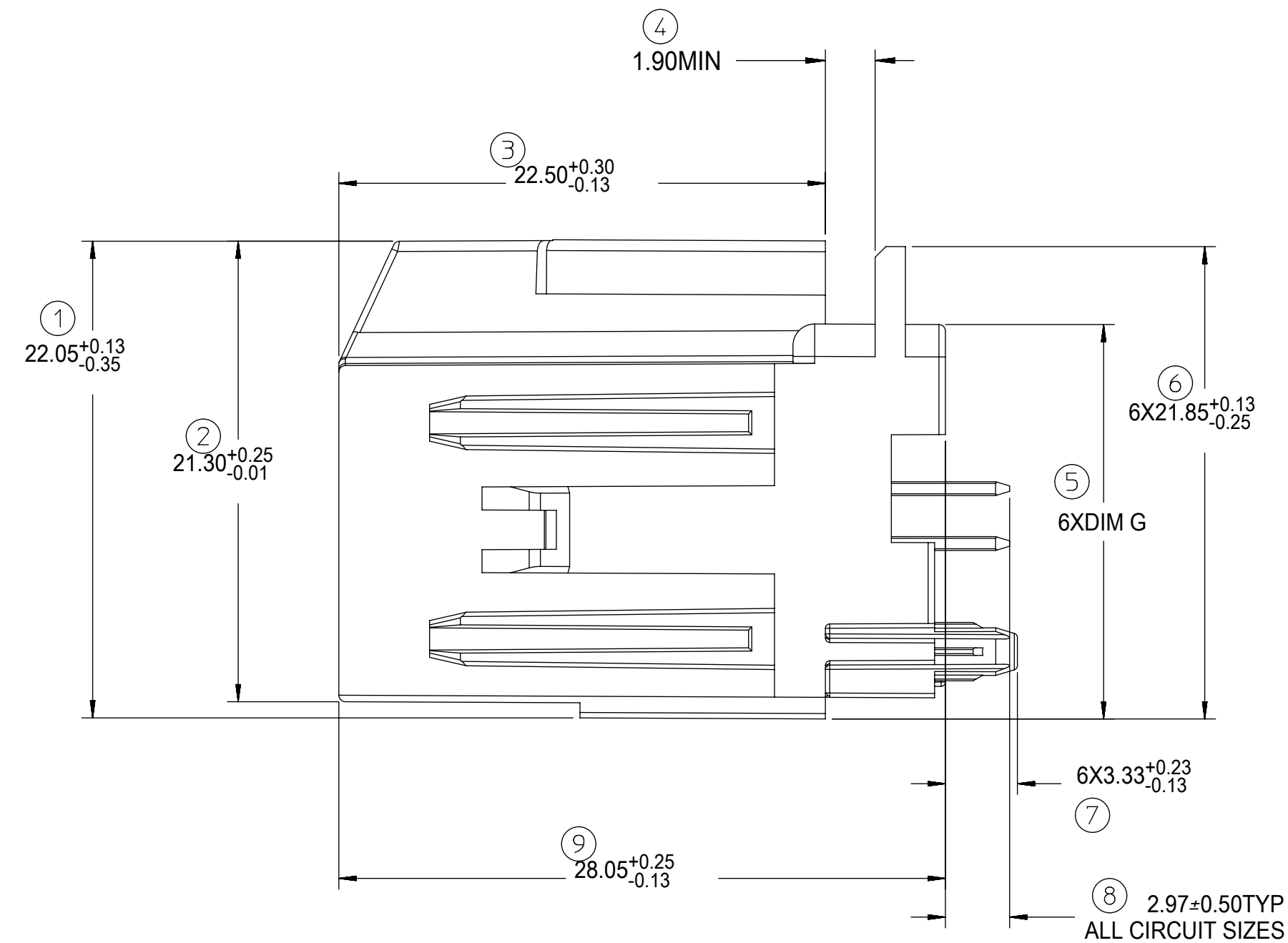
RECOMMENDED PCB LAYOUT
 INSERT NECESSARY BAYS USING CHART ON SHEET 1



FOR PIN LOCATION,
 REFER TO TEMPLATES ON SHEET 4

POST HOLE TABLE:

FOR DIM Z:	
PRESS FIT:	2.60
DROP IN:	3.05

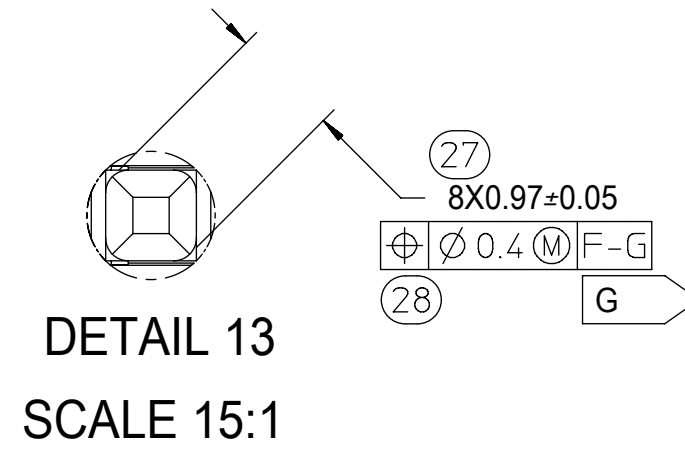
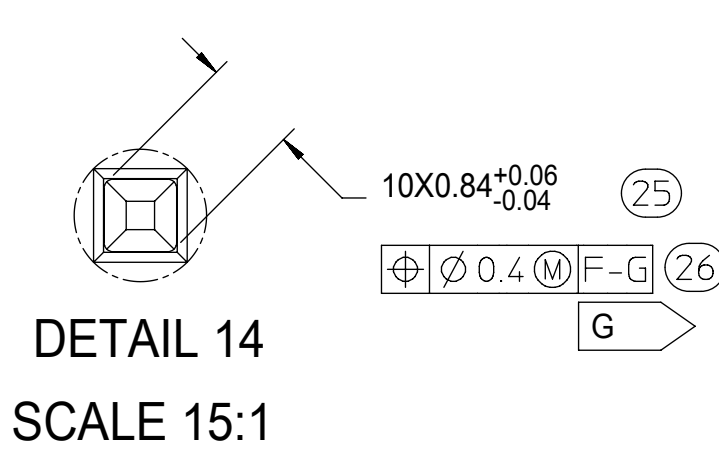
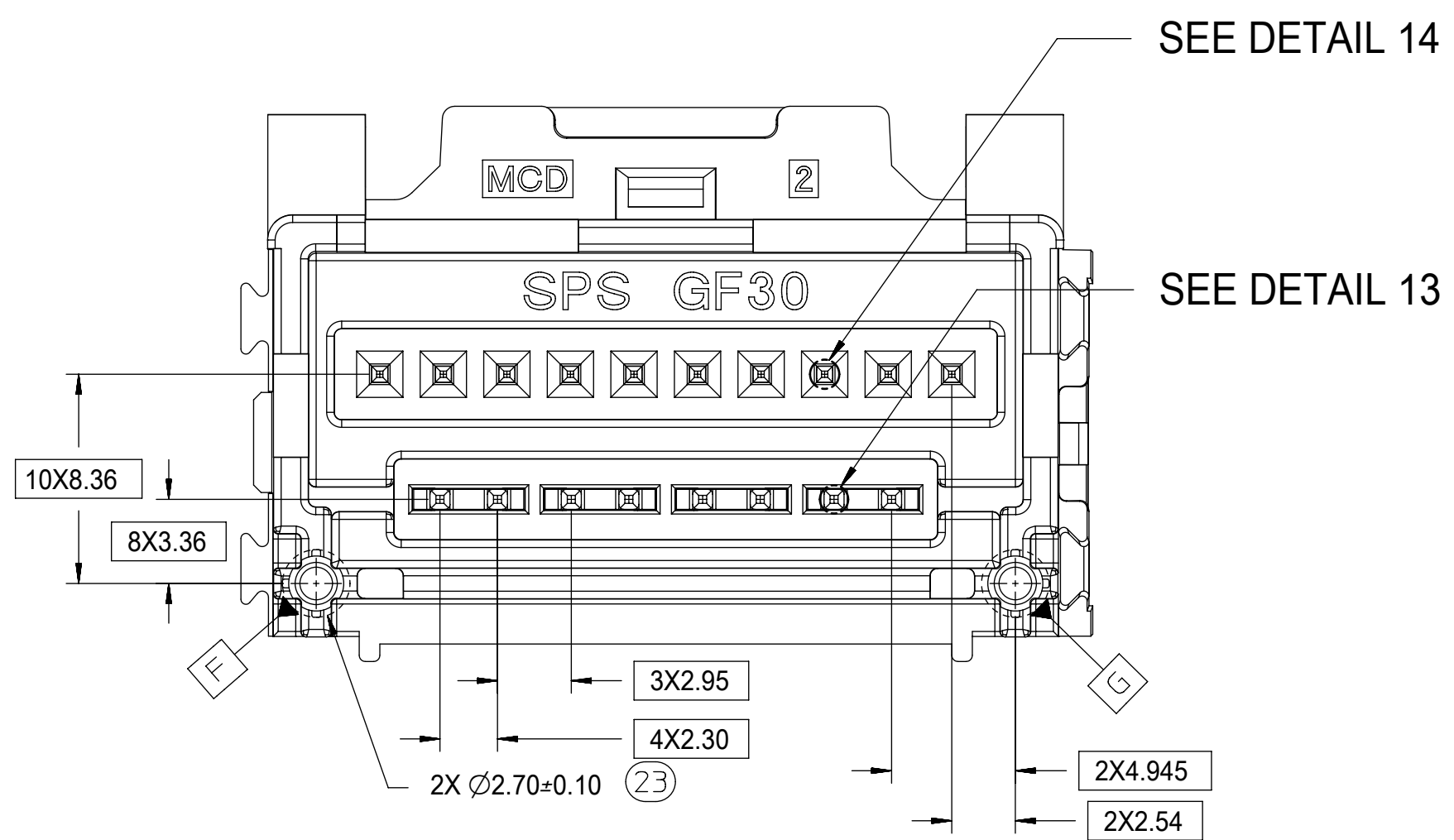
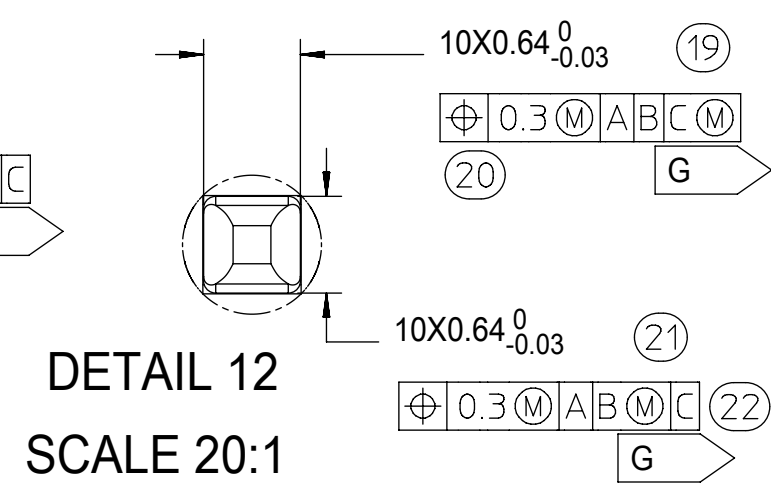
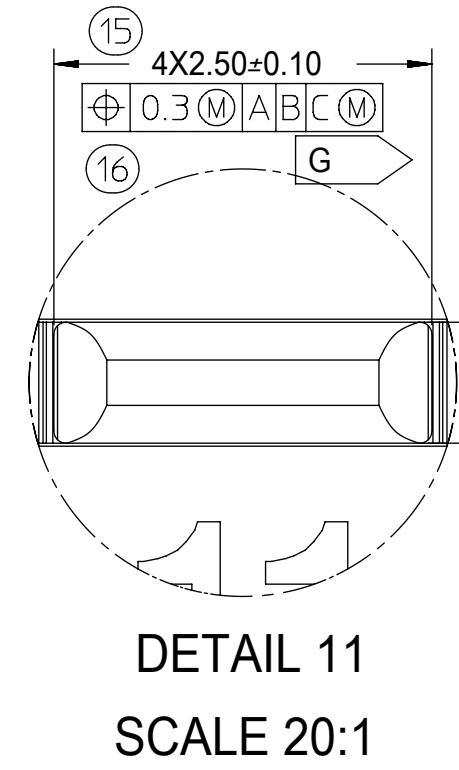
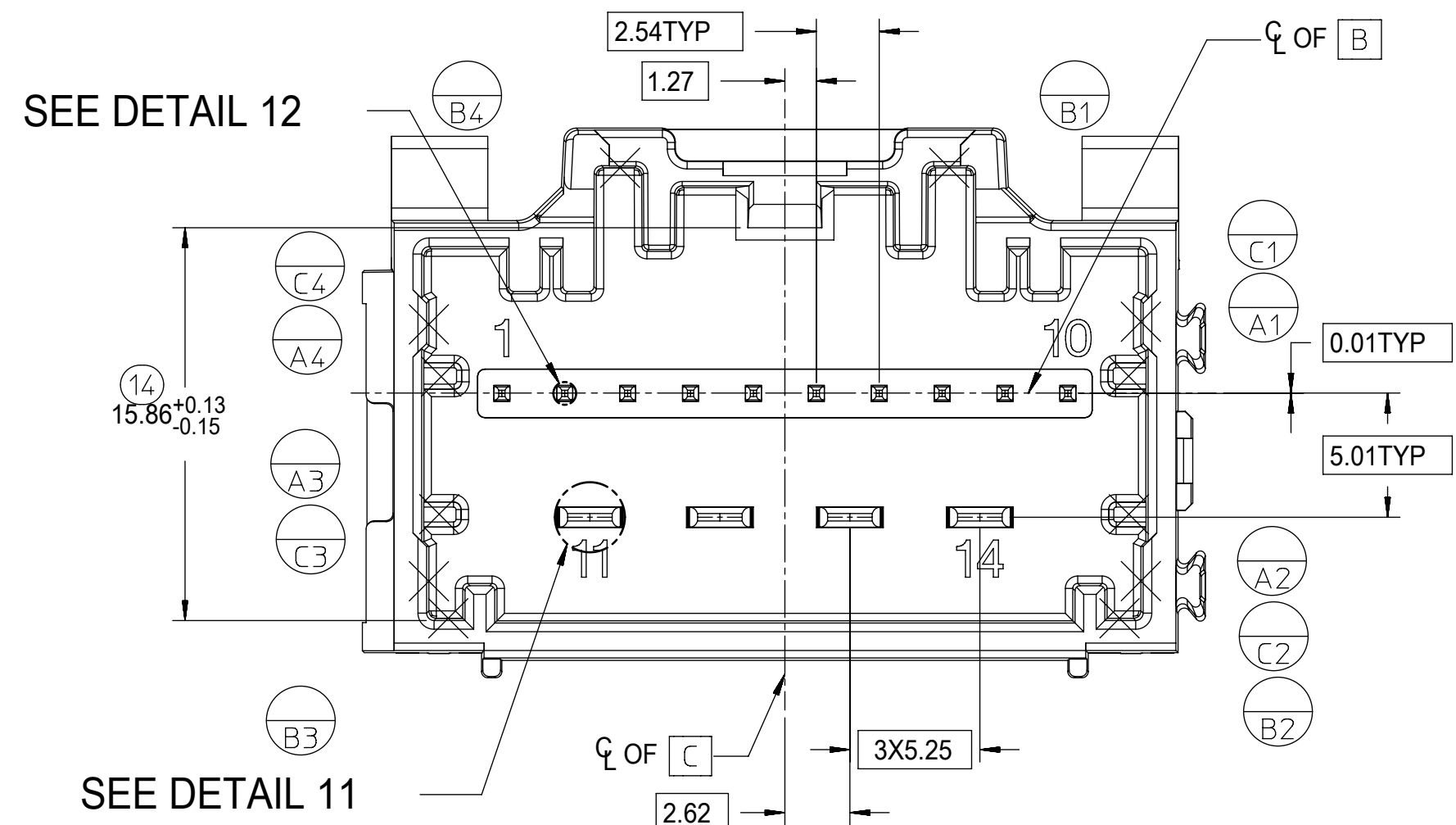


FOR DIM G:

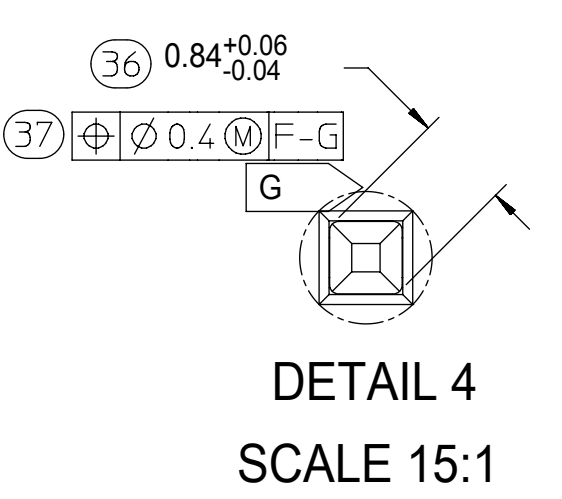
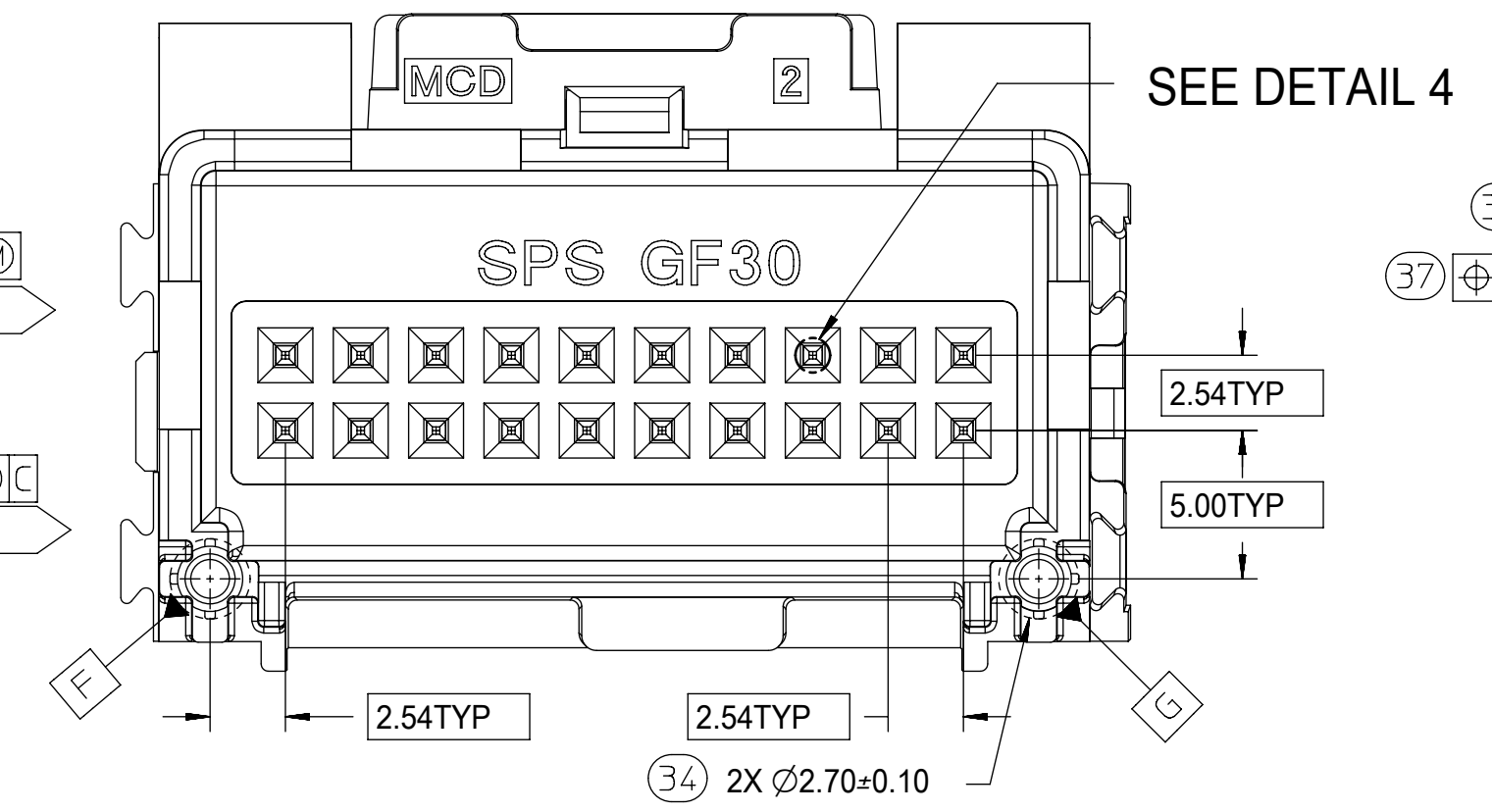
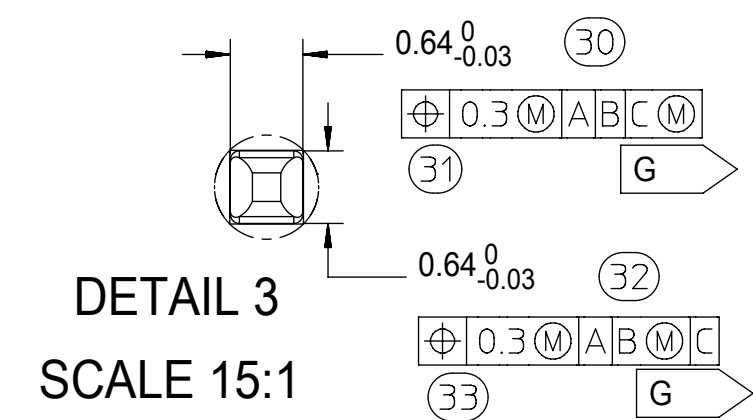
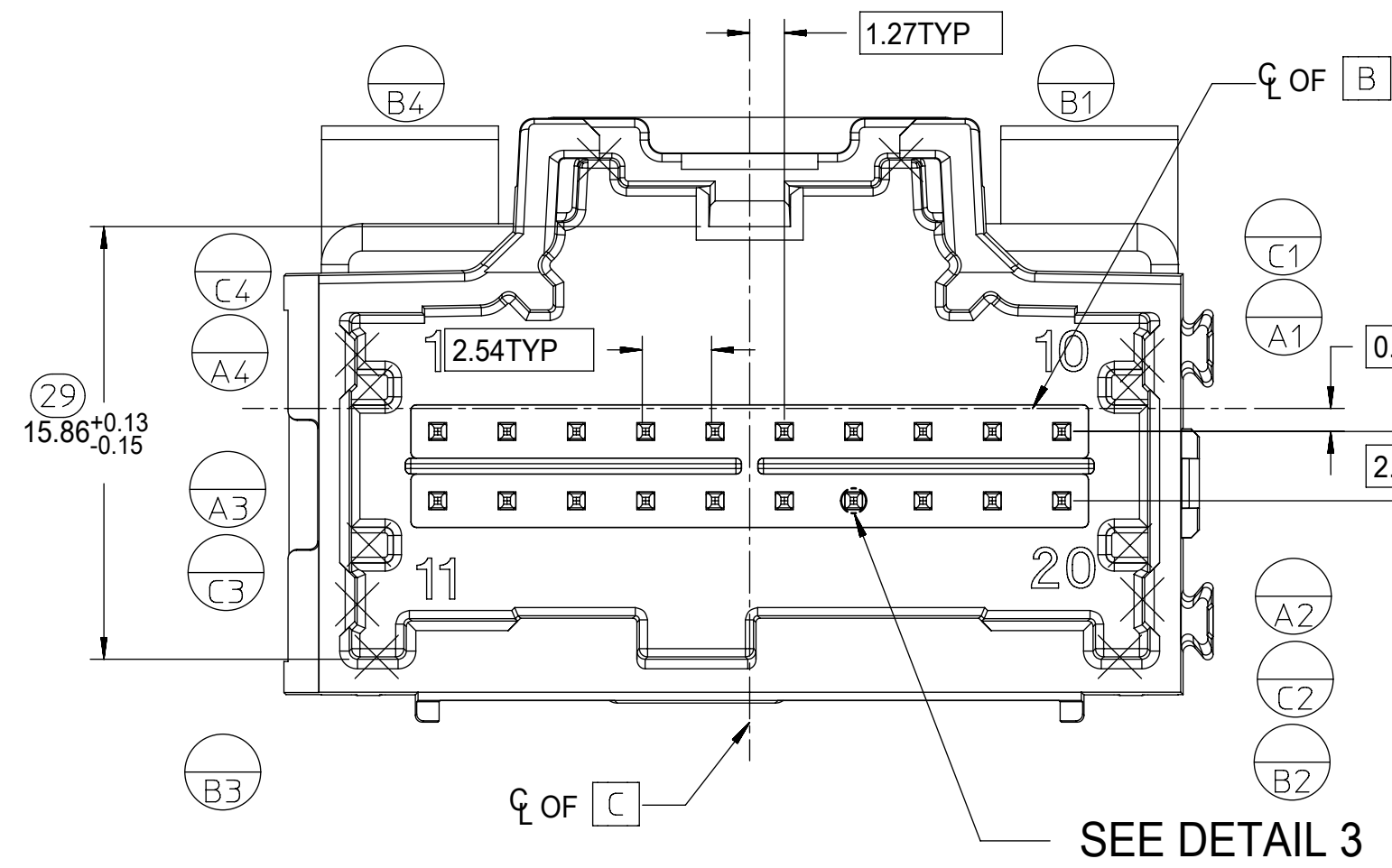
8-20CKT 0.64mm	18.40 MAX
10/14CKT Hybrid	18.59 MAX

SYMBOLS	THIS DRAWING CONTAINS INFORMATION THAT IS PROPRIETARY TO MOLEX ELECTRONIC TECHNOLOGIES, LLC AND SHOULD NOT BE USED WITHOUT WRITTEN PERMISSION		
	DIMENSION UNITS	SCALE	CURRENT REV DESC:
▽ = 0	mm	4:1	molex 3-BAY STAC64 VERTICAL HEADER ASSEMBLY SALES DRAWING PRODUCT CUSTOMER DRAWING
▽ = 0	GENERAL TOLERANCES (UNLESS SPECIFIED)		
▽ = 0	ANGULAR TOL ± 1.0°		
▽ = 0	4 PLACES	±	
▽ = 0	3 PLACES	±	
▽ = 0	2 PLACES	± 0.13	EC NO: 612618 DRWN: SHANDITHAVAL 2019/02/22 CHK'D: RBAUMAN 2019/02/23 APPR: RBAUMAN 2019/02/23
▽ = 0	1 PLACE	± 0.25	INITIAL REVISION: DRWN: JDUNAJ 2009/03/10 APPR: SMARCEAU 2009/03/11
▽ = 0	0 PLACES	±	DOCUMENT NUMBER: SD-34707-300 DOC TYPE: PSD DOC PART: 001 REVISION: K2
▽ = 0	DRAFT WHERE APPLICABLE MUST REMAIN WITHIN DIMENSIONS	THIRD ANGLE PROJECTION	MATERIAL NUMBER: SEE TABLE CUSTOMER: GENERAL MARKET SHEET NUMBER: 2 OF 4
▽ = 0		D-SIZE	SERIES: 34707 DRAWING: D-SIZE SERIES: 34707

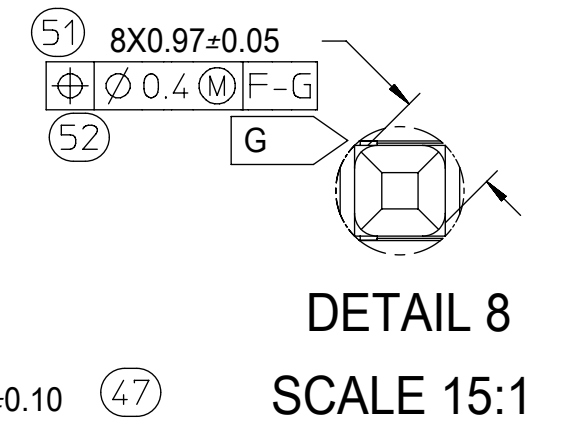
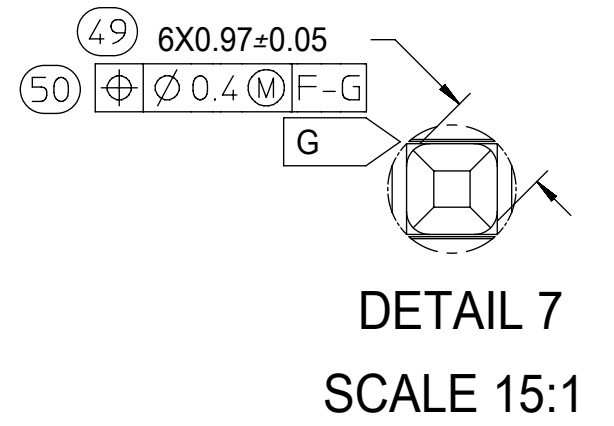
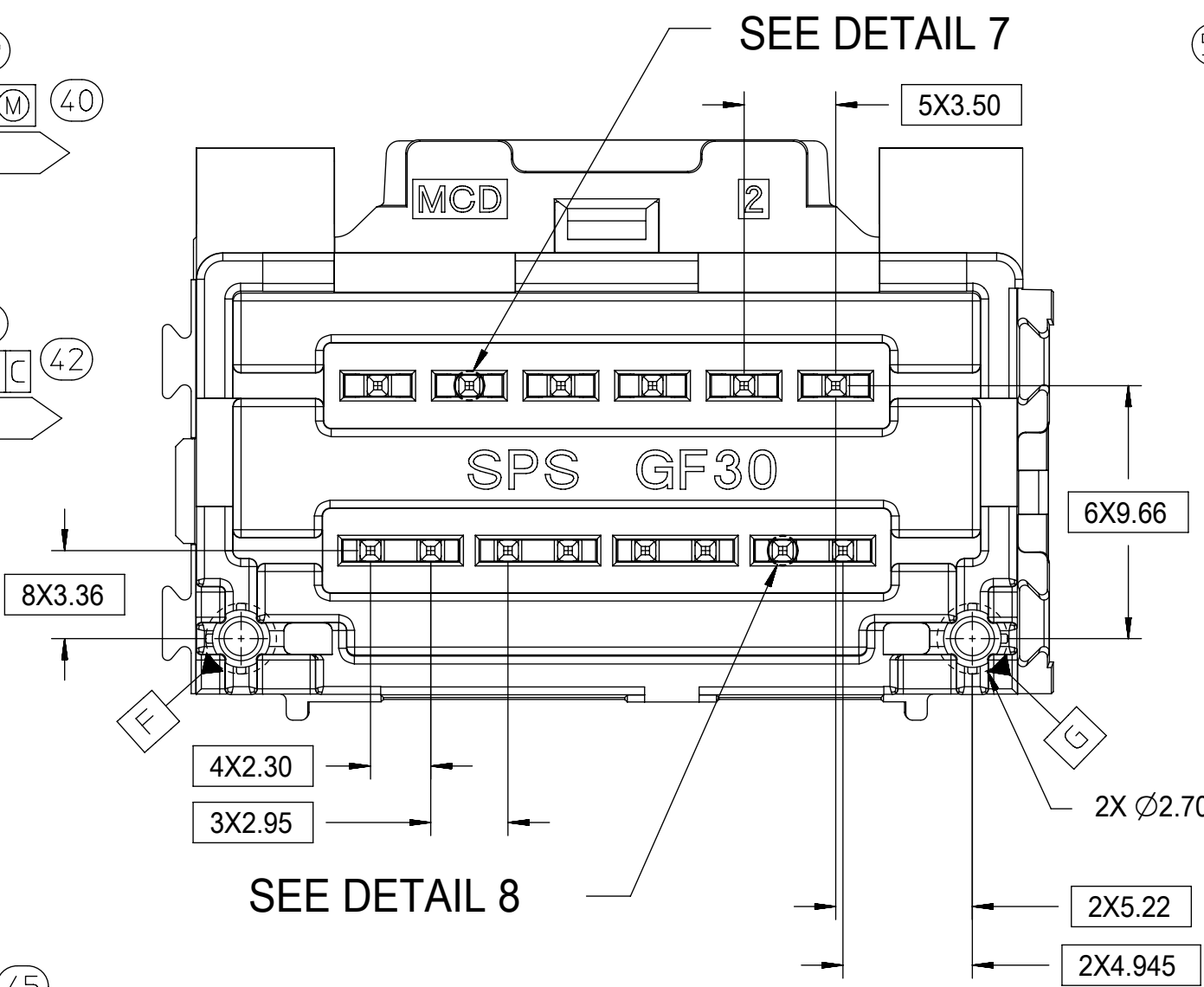
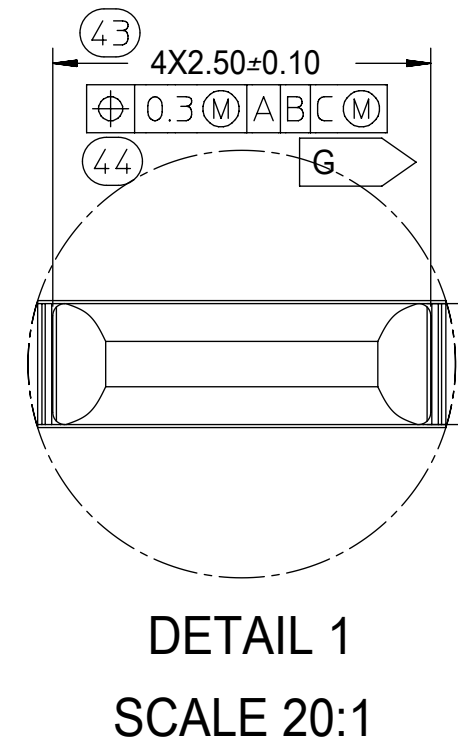
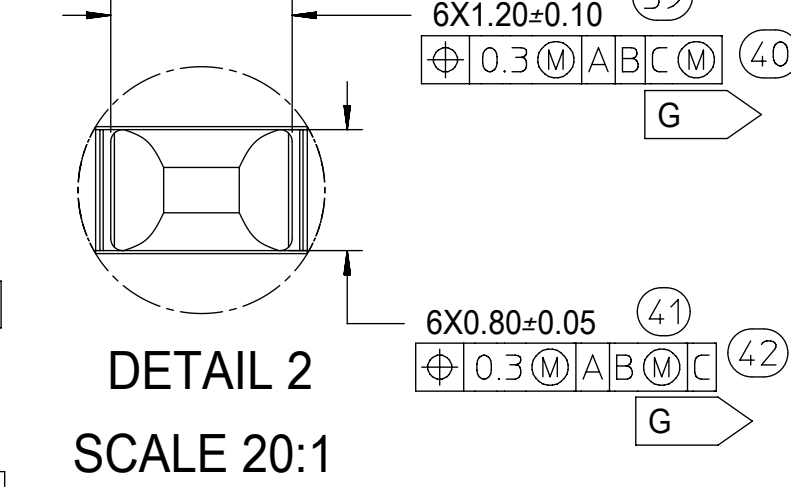
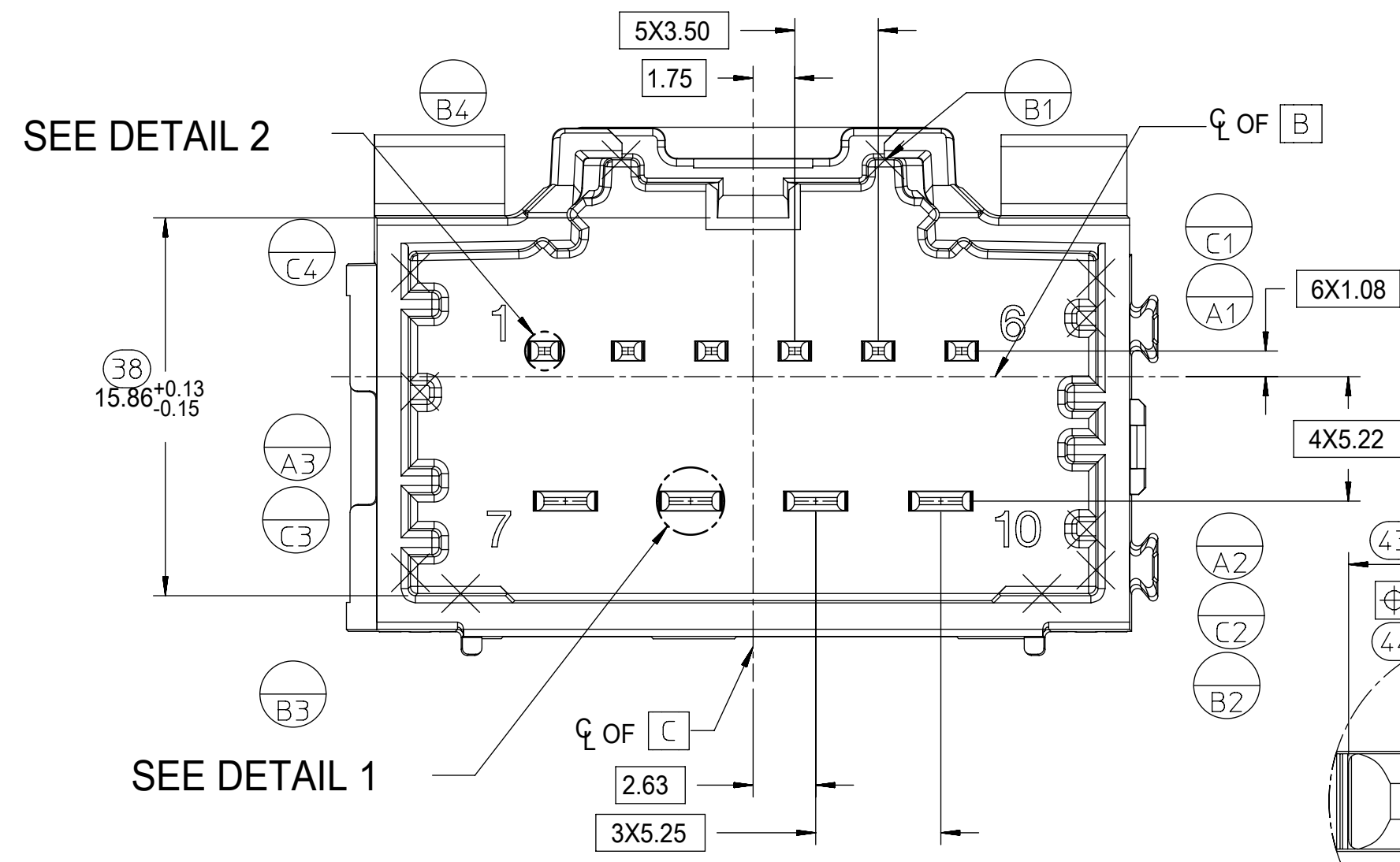
14CKT STAC HYBRID HEADER DETAILS



8-20CKT STAC 0.64mm HEADER DETAILS



10CKT STAC HYBRID HEADER DETAILS

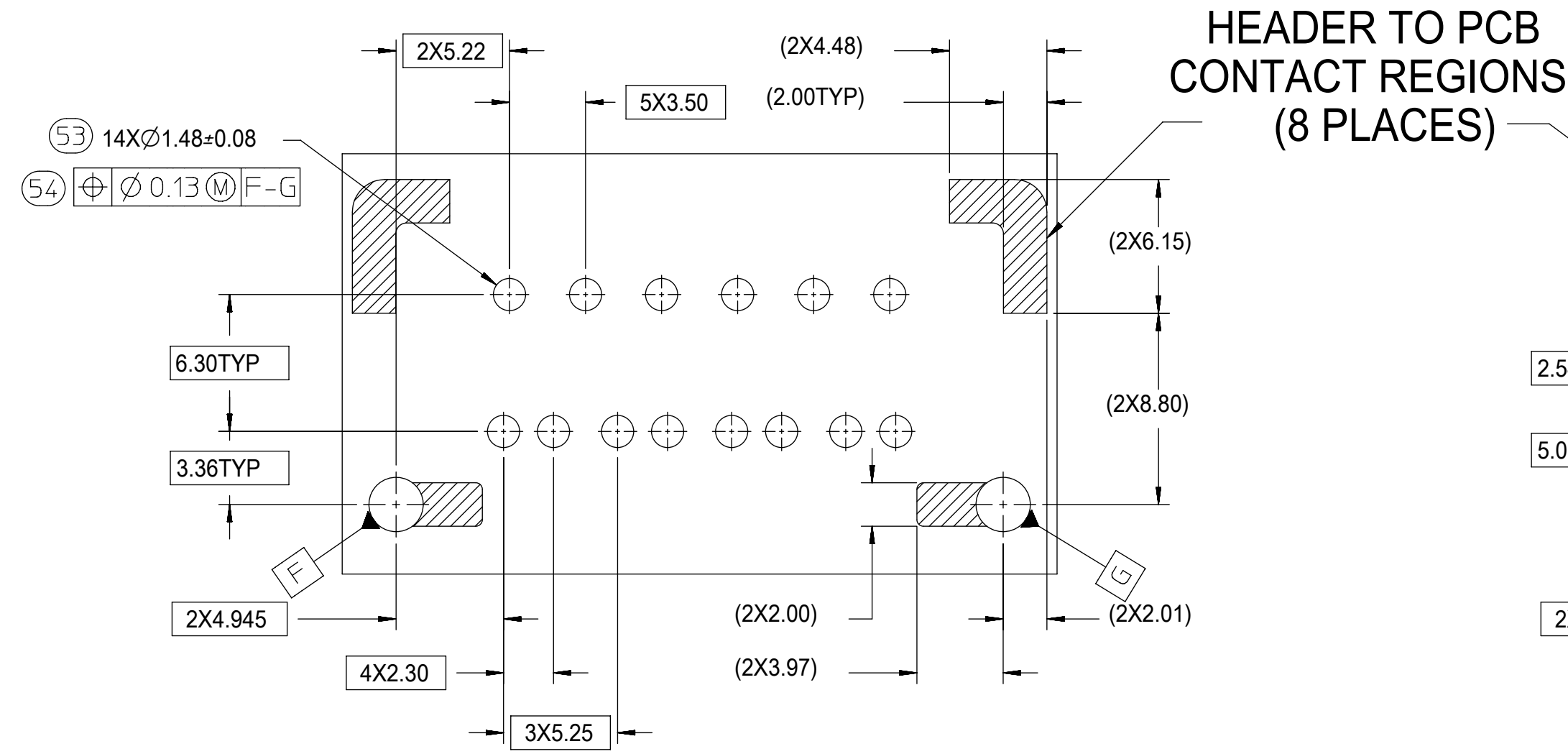


SYMBOLS	THIS DRAWING CONTAINS INFORMATION THAT IS PROPRIETARY TO MOLEX ELECTRONIC TECHNOLOGIES, LLC AND SHOULD NOT BE USED WITHOUT WRITTEN PERMISSION		CURRENT REV DESC:	
	DIMENSION UNITS	SCALE	EC NO:	
$\nabla = 0$	mm	4:1	612618	
$\nabla = 0$	GENERAL TOLERANCES (UNLESS SPECIFIED)		DRWN: SHANDITHAVAL	2019/02/22
$\nabla = 0$	ANGULAR TOL $\pm 1.0^\circ$		CHK'D: RBAUMAN	2019/02/23
$\nabla = 0$	4 PLACES \pm		APPR: RBAUMAN	2019/02/23
$\nabla = 0$	3 PLACES \pm		INITIAL REVISION:	
$\nabla = 0$	2 PLACES ± 0.13		DRWN: JDUNAJ	2009/03/10
$\nabla = 0$	1 PLACE ± 0.25		APPR: SMARCEAU	2009/03/11
$\nabla = 0$	0 PLACES \pm		DRAFT WHERE APPLICABLE	
$\nabla = 0$	MUST REMAIN WITHIN DIMENSIONS		THIRD ANGLE PROJECTION	DRAWING
			D-DRAWING	SERIES
			D-SIZE	34707

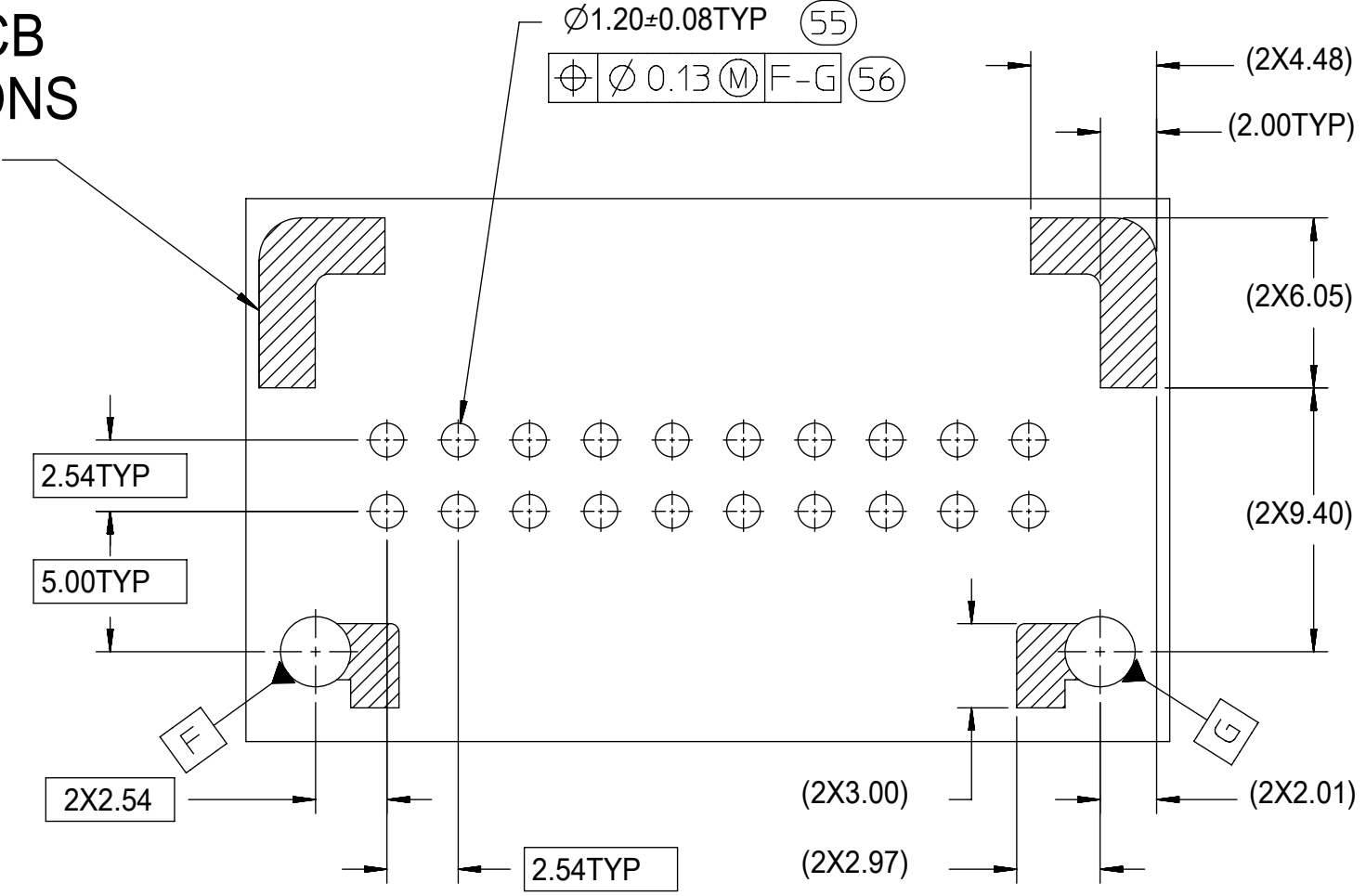
DOCUMENT STATUS		P1	RELEASE DATE	2019/02/23	23:32:58
-----------------	--	----	--------------	------------	----------

		3-BAY STAC64 VERTICAL HEADER ASSEMBLY SALES DRAWING	
		PRODUCT CUSTOMER DRAWING	
DOCUMENT NUMBER	DOC TYPE	DOC PART	REVISION
SD-34707-300	PSD	001	K2
MATERIAL NUMBER	CUSTOMER	SHEET NUMBER	
SEE TABLE	GENERAL MARKET	3 OF 4	

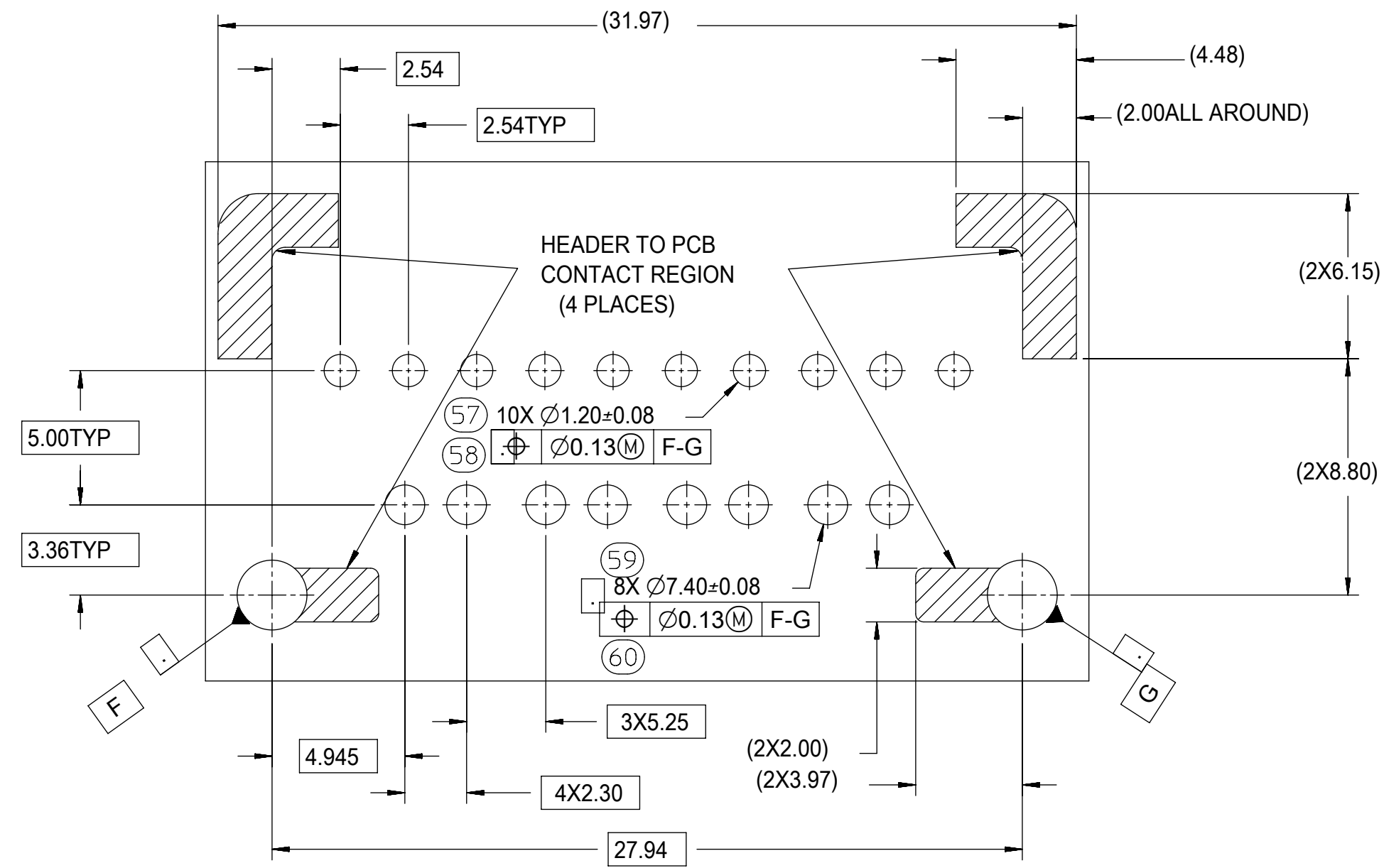
10 CKT HYBRID TEMPLATE
PCB LAYOUT



8-20 CKT 0.64mm TEMPLATE
PCB LAYOUT



14 CKT HYBRID TEMPLATE
PCB LAYOUT

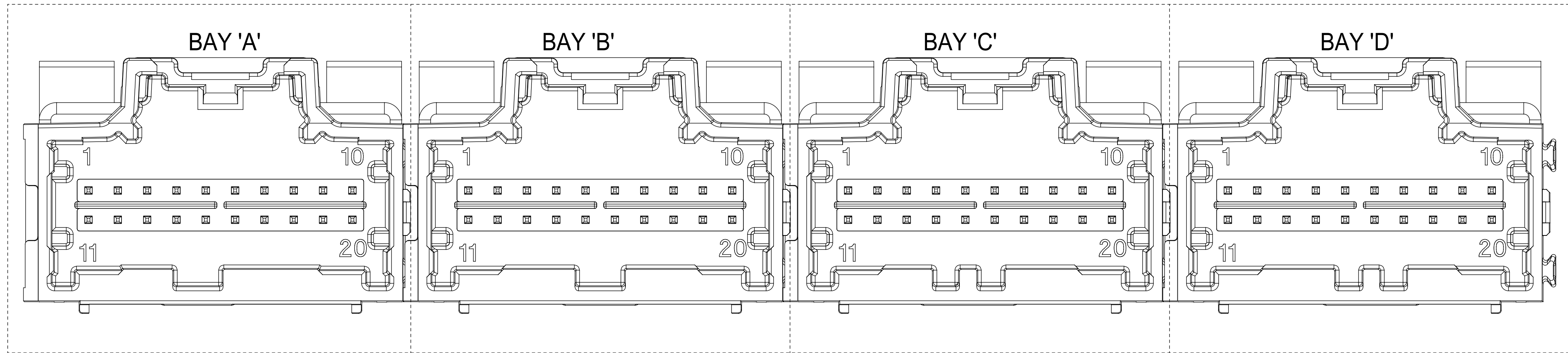


SYMBOLS	THIS DRAWING CONTAINS INFORMATION THAT IS PROPRIETARY TO MOLEX ELECTRONIC TECHNOLOGIES, LLC AND SHOULD NOT BE USED WITHOUT WRITTEN PERMISSION		
	DIMENSION UNITS	SCALE	CURRENT REV DESC:
▽ = 0	mm	4:1	EC NO: 612618 DRWN: SHANDITHAVAL 2019/02/22 CHK'D: RBAUMAN 2019/02/23 APPR: RBAUMAN 2019/02/23 INITIAL REVISION: DRWN: JDUNAJ 2009/03/10 APPR: SMARCEAU 2009/03/11
▽ = 0	GENERAL TOLERANCES (UNLESS SPECIFIED)		
▽ = 0	ANGULAR TOL ± 1.0°		
▽ = 0	4 PLACES ±		
▽ = 0	3 PLACES ±		
▽ = 0	2 PLACES ± 0.13		
▽ = 0	1 PLACE ± 0.25		
▽ = 0	0 PLACES ±		
■ = 0	DRAFT WHERE APPLICABLE MUST REMAIN WITHIN DIMENSIONS		THIRD ANGLE PROJECTION
▽ = 0			DRAWING D-SIZE SERIES 34707
DOCUMENT STATUS		RELEASE DATE	DOCUMENT NUMBER SD-34707-300
P1	2019/02/23	23:32:58	DOC TYPE PSD
			DOC PART 001
			REVISION K2
			MATERIAL NUMBER SEE TABLE
			CUSTOMER GENERAL MARKET
			SHEET NUMBER 4 OF 4

DIMENSIONAL CHART FOR MULTIBAY CONFIGURATION:

PART NUMBER (TUBE PKG)	PART NUMBER (TRAY PKG)	BAY A			BAY B			BAY C			BAY D			DIM 'A'	DIM 'B'	DIM 'C'	DIM 'D'	DIM 'E'	DIM 'F'
		CKT	TYPE	POL	CKT	TYPE	POL	CKT	TYPE	POL	CKT	TYPE	POL						
34707-9000	34707-4000	20	0.64mm	A	20	0.64mm	B	20	0.64mm	C	20	0.64mm	D	132.74	130.27	27.94	27.94	27.94	27.94
TBD	34707-4010	12	0.64mm	A	20	0.64mm	A	8	0.64mm	A	16	0.64mm	A	102.26	99.79	17.78	27.94	12.70	22.86
TBD	34707-4020	20	0.64mm	D	20	0.64mm	C	20	0.64mm	B	20	0.64mm	A	132.74	130.27	27.94	27.94	27.94	27.94

4 BAY STAC64 VERTICAL HEADER ASSEMBLY
(P/N: 34707-4000 SHOWN)



NOTES: VALID UNLESS OTHERWISE SPECIFIED
1. GENERAL:

a. CONNECTOR HEADER MUST BE VALIDATED TO THE FOLLOWING FUNCTIONAL REQUIREMENTS:

PRODUCT SPECIFICATION:
8-20 CKT 0.64mm PRODUCT SPEC: PS-34729-020/PS-31408-100
10/14 CKT HYBRID PRODUCT SPEC: PS-31372-100

b. APPLICATION REQUIREMENTS (REFERENCE ONLY):

APPLICATION SPECIFICATION: AS-34729-020/AS-31408-100

c. PACKAGING SPECIFICATION PER MOLEX DRAWING PK-31300-892 (TRAY)
d. PACKAGING SPECIFICATION PER MOLEX DRAWING PK-31301-063 (TUBE)

2. DESIGN: MATERIALS:

a. SHROUD (PLASTIC HOUSING):
RESIN - SPS 30%GF

b. 0.64mm PINS:
BASE MATERIAL: C26000
PLATING TYPE: AS NOTED

1.50/2.80mm BLADES:
BASE MATERIAL: C19400
PLATING TYPE: AS NOTED

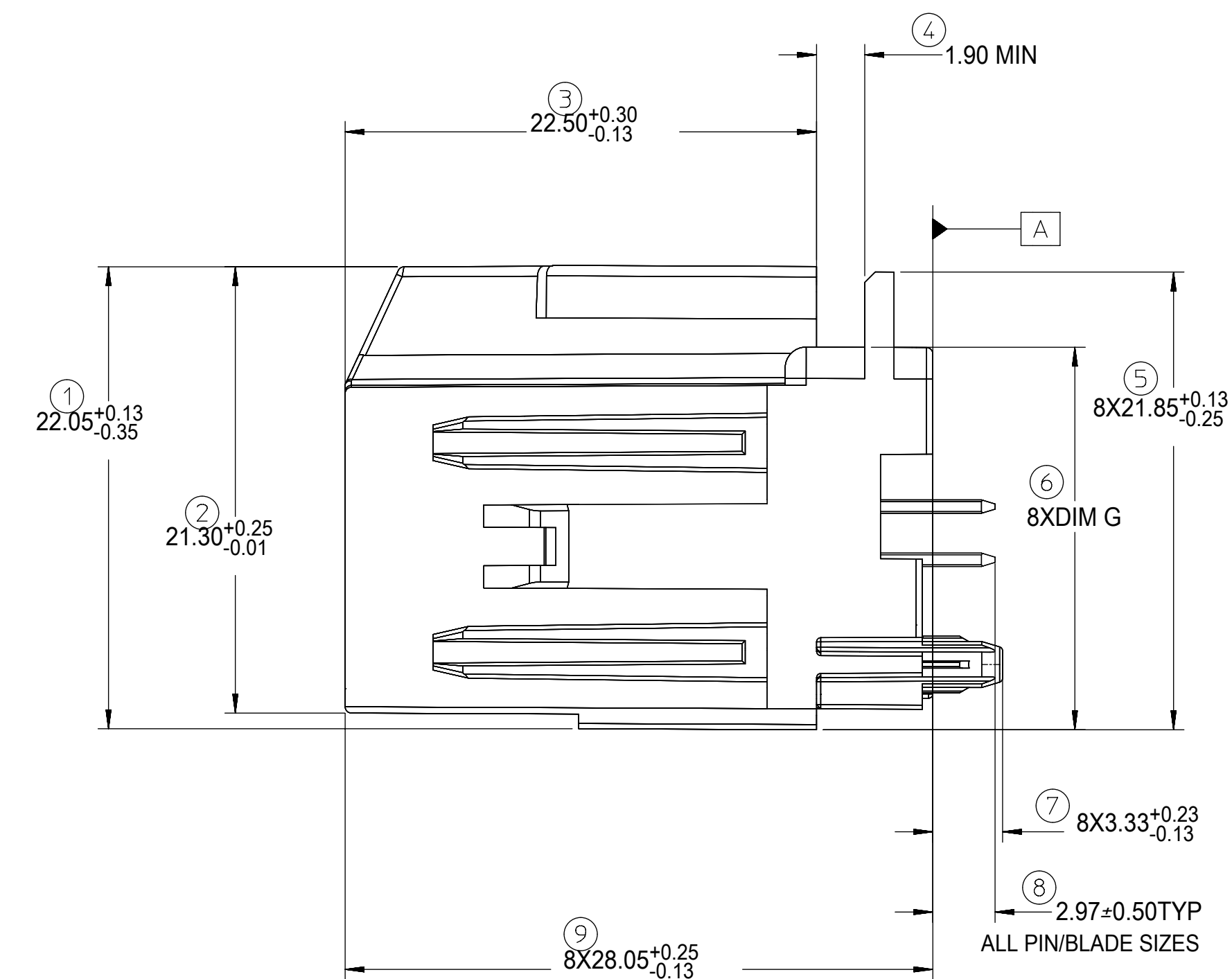
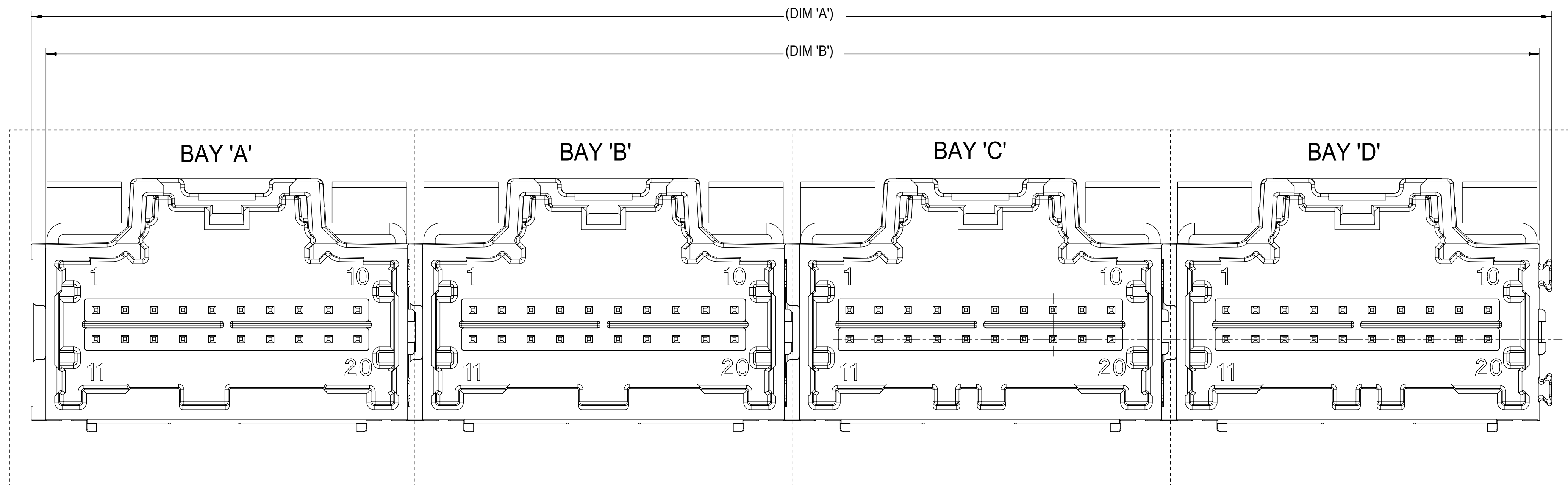
3. PLATING REQUIREMENTS:

a. UNDERPLATING - OVERALL NICKEL

b. OVERPLATING - OVERALL TIN

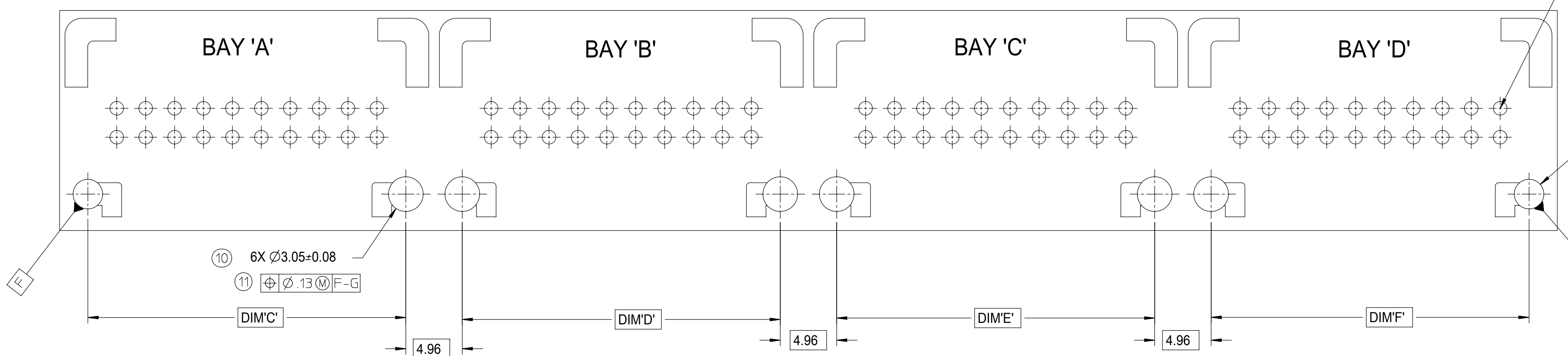
4. FOR DESCRIPTION OF INDIVIDUAL BAYS, REFER TO THE FOLLOWING
SINGLE BAY DRAWINGS:
8-20 CKT 0.64: SD-34690-100
10 CKT HYBRID: SD-34695-100
14 CKT HYBRID: SD-34772-200

SYMBOLS	THIS DRAWING CONTAINS INFORMATION THAT IS PROPRIETARY TO MOLEX ELECTRONIC TECHNOLOGIES, LLC AND SHOULD NOT BE USED WITHOUT WRITTEN PERMISSION		CURRENT REV DESC:		
	DIMENSION UNITS	SCALE			
▽ = 0	mm	4:1			4-BAY STAC64 VERTICAL HEADER ASSEMBLY SALES DRAWING
▽ = 0	GENERAL TOLERANCES (UNLESS SPECIFIED)				
▽ = 0	ANGULAR TOL ± 3.0°		EC NO: 612618		PRODUCT CUSTOMER DRAWING
▽ = 0	4 PLACES ±		DRWN: SHANDITHAVAL 2019/02/22		
▽ = 0	3 PLACES ±		CHK'D: RBAUMAN 2019/02/23		DOCUMENT NUMBER SD-34707-400
▽ = 0	2 PLACES ± 0.13		APPR: RBAUMAN 2019/02/23		
▽ = 0	1 PLACE ± 0.25		INITIAL REVISION:		DOC TYPE PSD
▽ = 0	0 PLACES ±		DRWN: VDANIELE 2008/11/14		
▽ = 0	DRAFT WHERE APPLICABLE MUST REMAIN WITHIN DIMENSIONS		APPR: SMARCEAU 2008/11/14		DOC PART 001
▽ = 0	THIRD ANGLE PROJECTION		DRAWING SERIES		
▽ = 0	D-SIZE		34707		REVISION D9
▽ = 0	MATERIAL NUMBER		CUSTOMER		
DOCUMENT STATUS			SHEET NUMBER		1 OF 4
P1	RELEASE DATE	2019/02/23 23:32:59	SEE TABLE		



FOR DIM G:	
8-20CKT 0.64mm	18.40 MAX
10/14CKT Hybrid	18.59 MAX

RECOMMENDED PCB LAYOUT
INSERT NECESSARY BAY'S USING THE CHART ON SHEET 1



FOR HOLE LOCATION REFER TO TEMPLATES ON SHEET 4

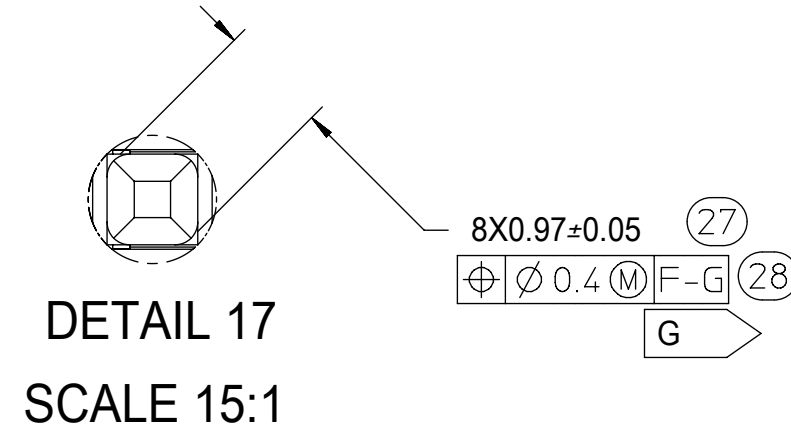
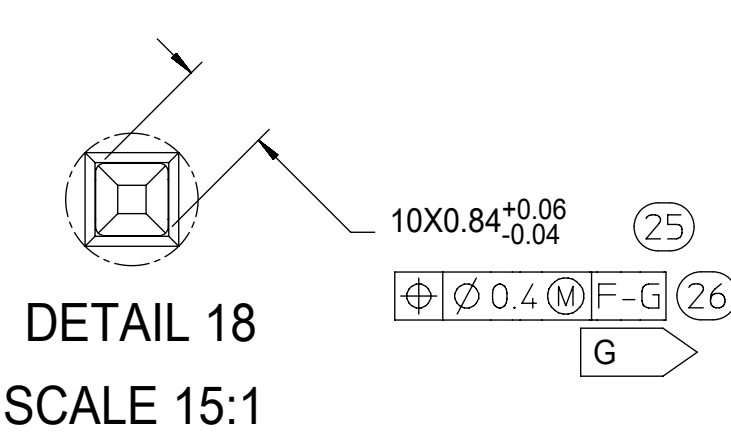
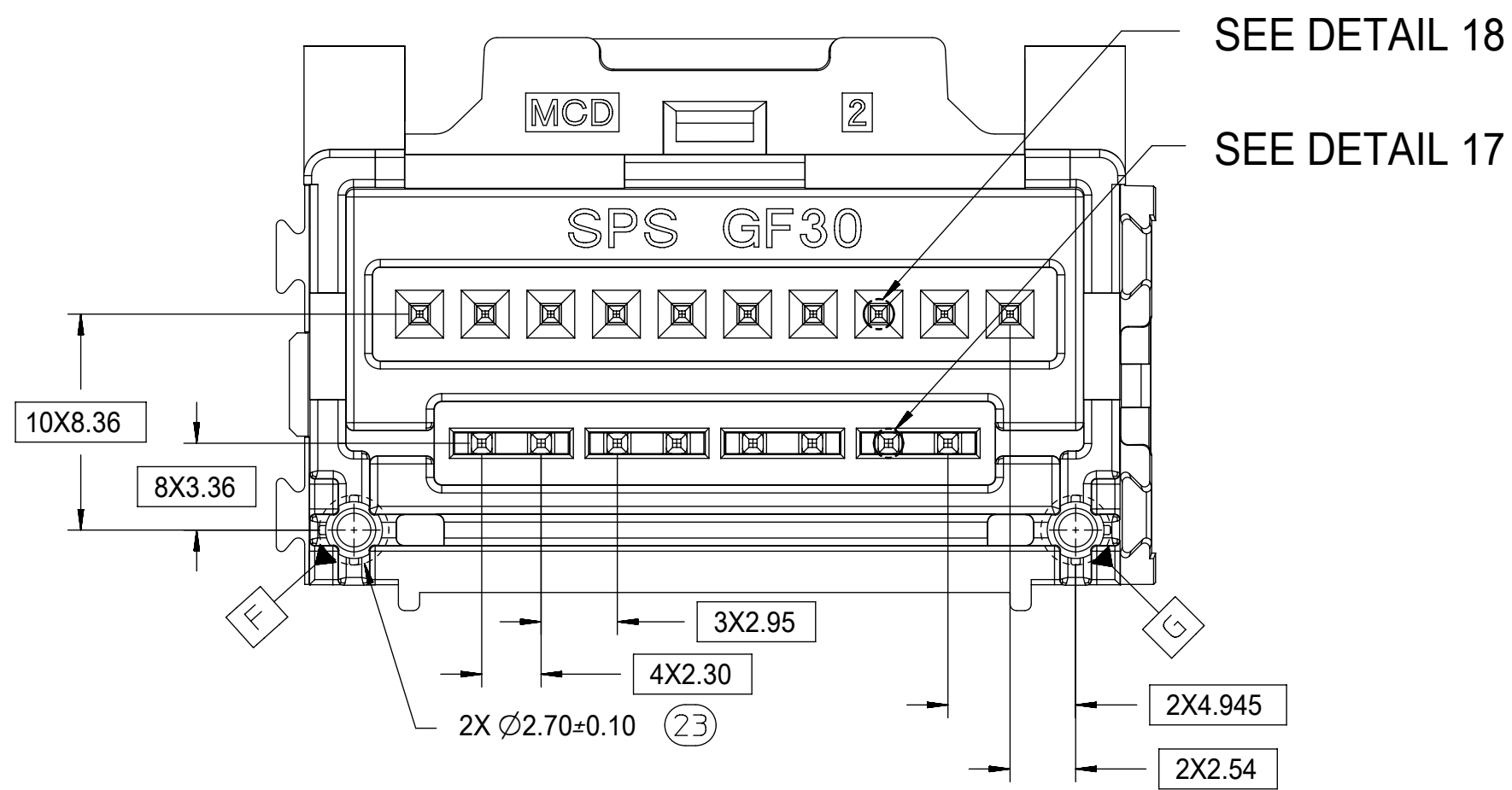
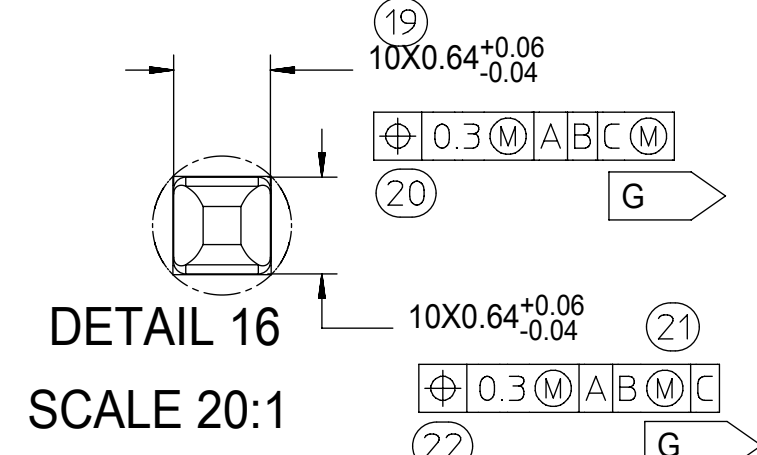
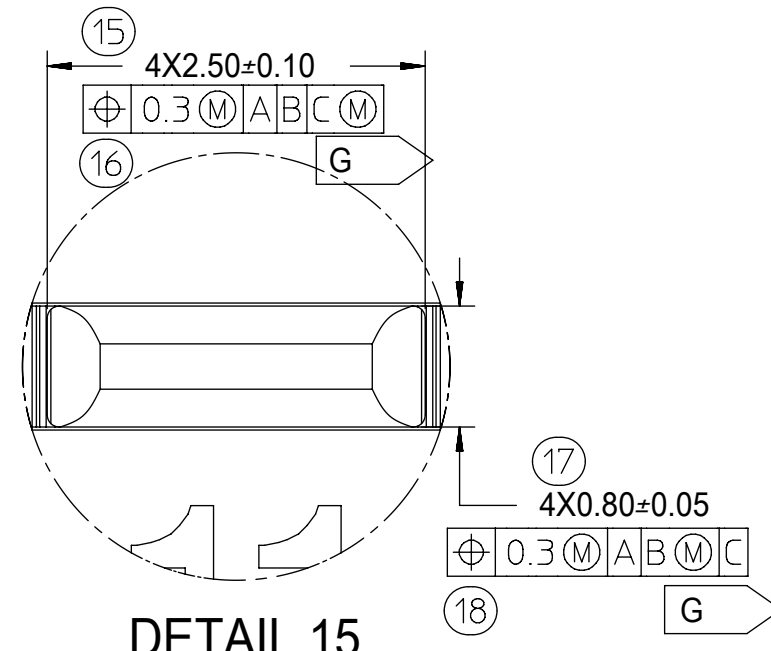
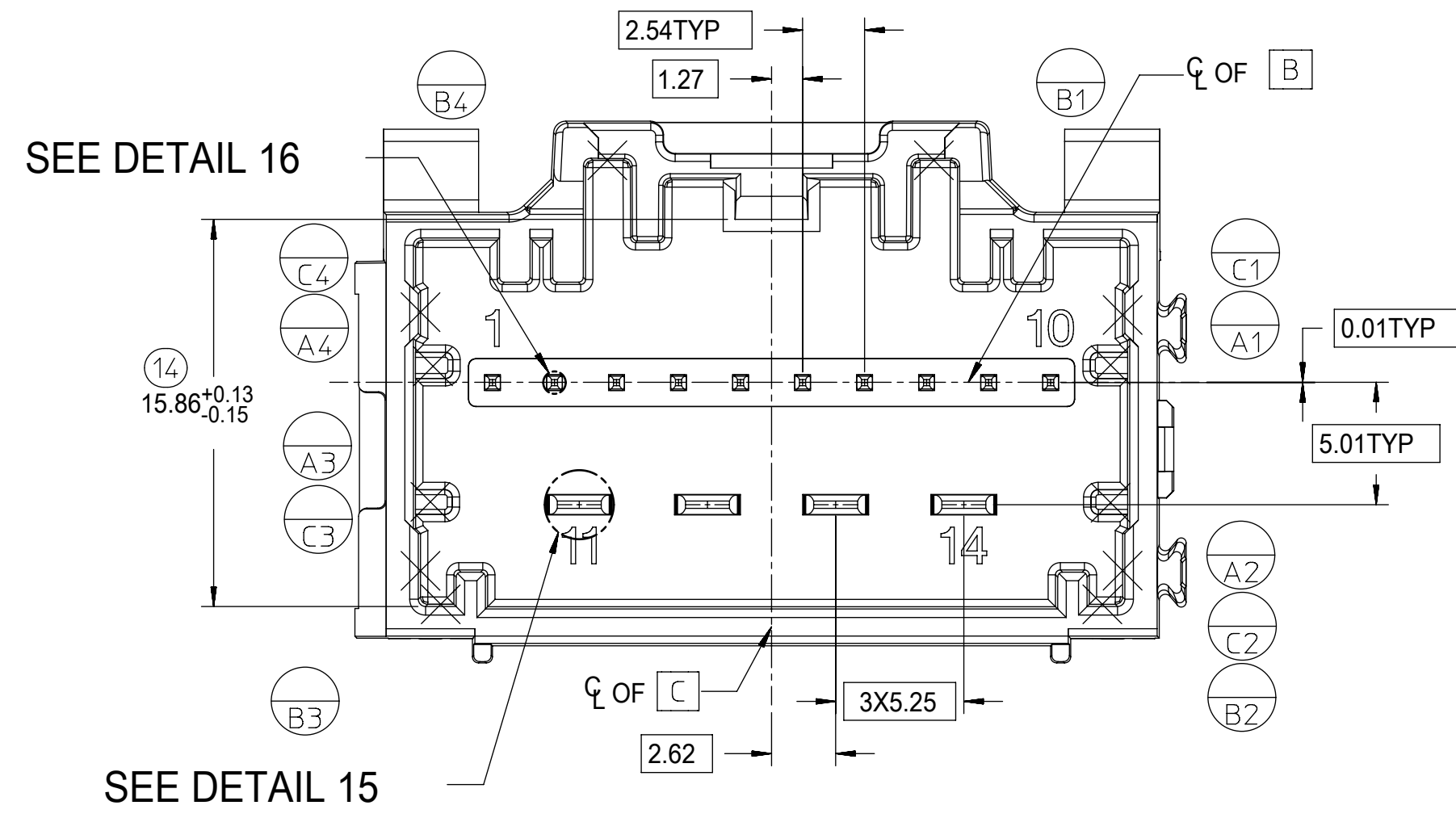
2X $\varnothing Z \pm 0.08$ (12)
 $\varnothing .13$ (M) (F) (13)

POST HOLE TABLE

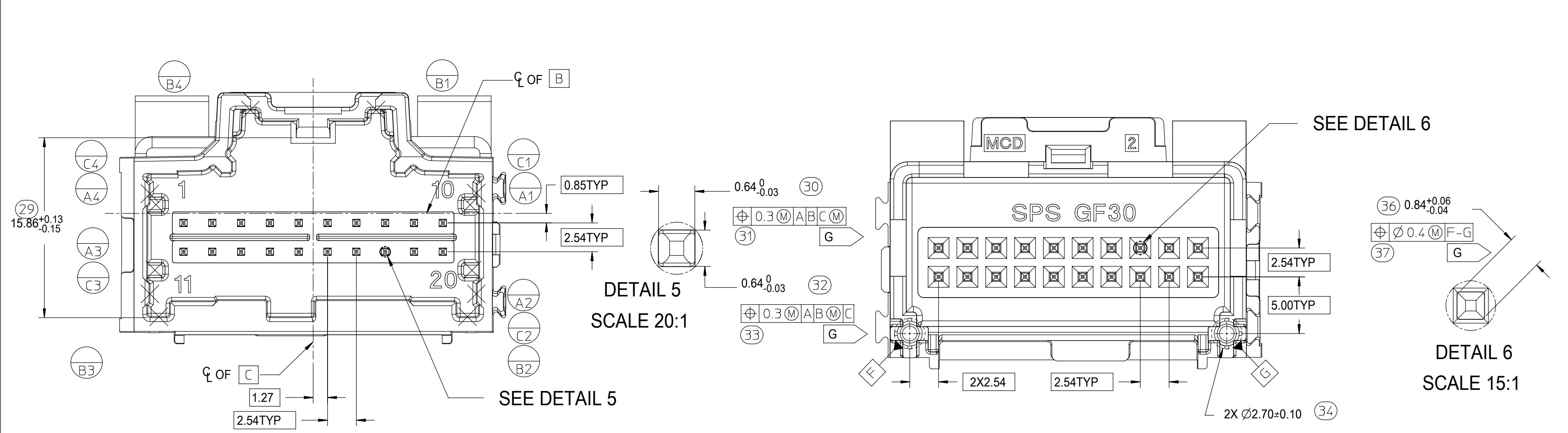
FOR DIM Z:	
PRESS FIT	2.60
DROP IN	3.05

SYMBOLS	THIS DRAWING CONTAINS INFORMATION THAT IS PROPRIETARY TO MOLEX ELECTRONIC TECHNOLOGIES, LLC AND SHOULD NOT BE USED WITHOUT WRITTEN PERMISSION		CURRENT REV DESC:				
	DIMENSION UNITS	SCALE					
$\nabla = 0$	mm	4:1			4-BAY STAC64 VERTICAL HEADER ASSEMBLY SALES DRAWING PRODUCT CUSTOMER DRAWING DOCUMENT NUMBER: SD-34707-400 DOC TYPE: PSD DOC PART: 001 REVISION: D9 MATERIAL NUMBER: SEE TABLE CUSTOMER: GENERAL MARKET SHEET NUMBER: 2 OF 4		
$\nabla = 0$	GENERAL TOLERANCES (UNLESS SPECIFIED)		EC NO: 612618				
$\nabla = 0$	ANGULAR TOL $\pm 3.0^\circ$		DRWN: SHANDITHAVAL 2019/02/22				
$\nabla = 0$	4 PLACES \pm		CHK'D: RBAUMAN 2019/02/23				
$\nabla = 0$	3 PLACES \pm		APPR: RBAUMAN 2019/02/23				
$\nabla = 0$	2 PLACES ± 0.13		INITIAL REVISION:				
$\nabla = 0$	1 PLACE ± 0.25		DRWN: VDANIELE 2008/11/14				
$\nabla = 0$	0 PLACES \pm		APPR: SMARCEAU 2008/11/14				
$\nabla = 0$	DRAFT WHERE APPLICABLE MUST REMAIN WITHIN DIMENSIONS		THIRD ANGLE PROJECTION	DRAWING	SERIES		
$\nabla = 0$				D-SIZE	34707		

14KCT STAC HYBRID HEADER DETAILS



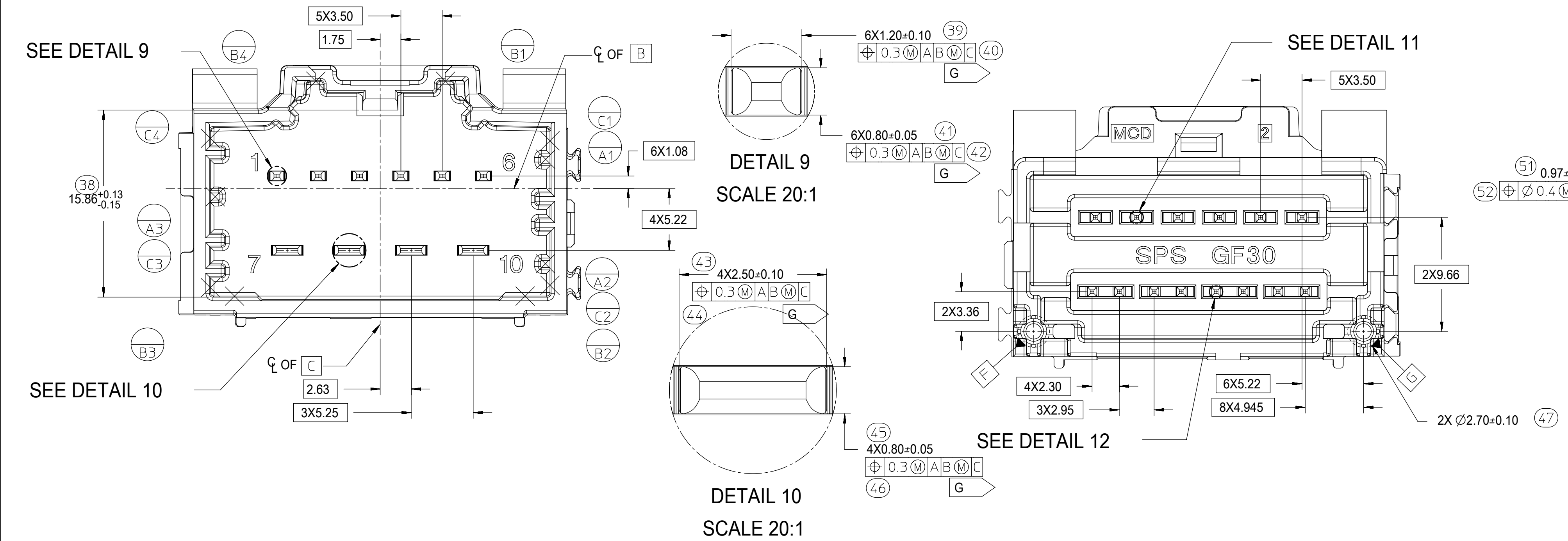
8-20KCT STAC 0.64mm HEADER DETAILS



DETAIL 5
SCALE 20:1

DETAIL 6
SCALE 15:1

10KCT STAC HYBRID HEADER DETAILS



DETAIL 9
SCALE 20:1

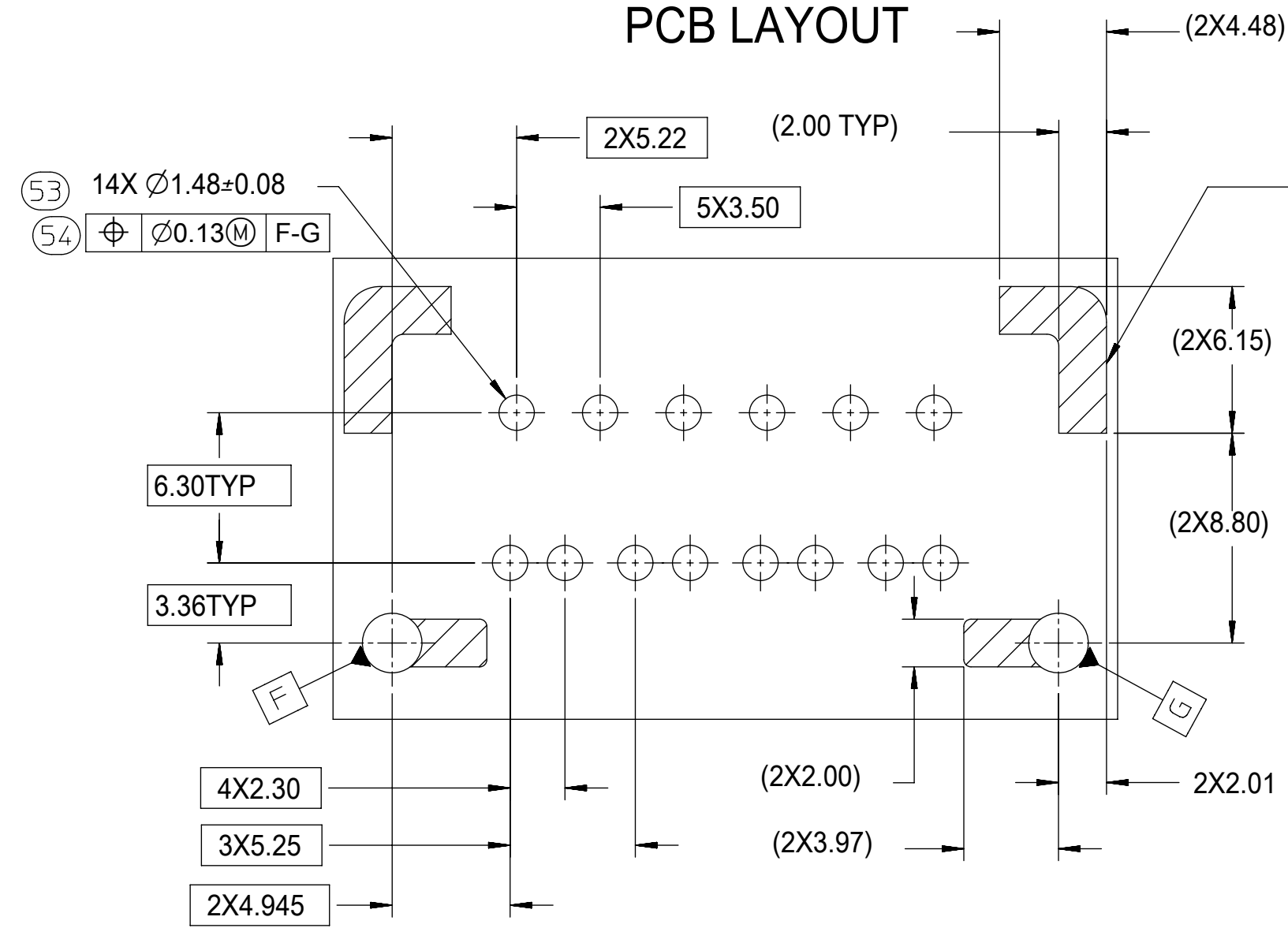
DETAIL 11
SCALE 15:1

DETAIL 10
SCALE 20:1

DETAIL 12
SCALE 15:1

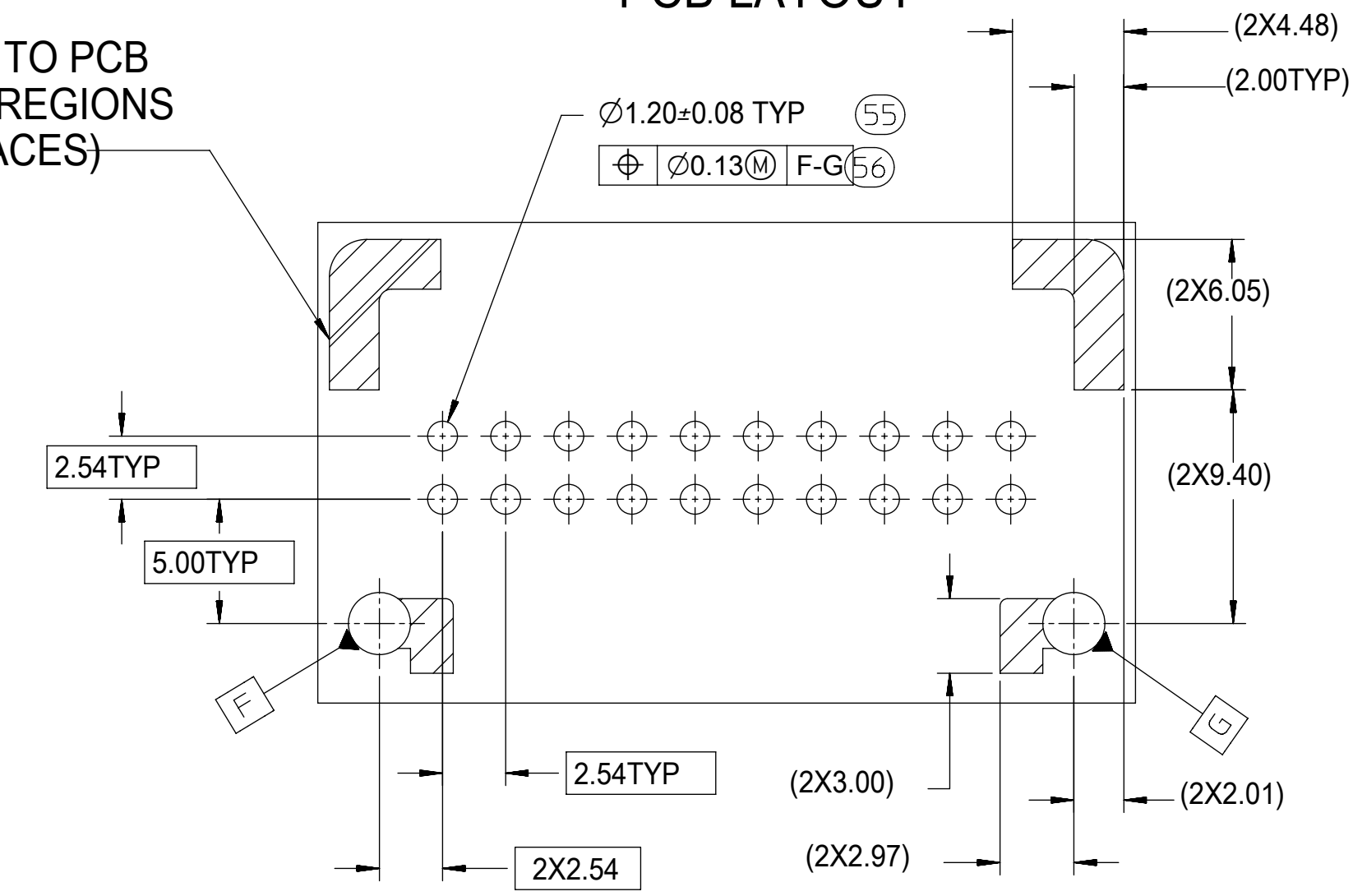
SYMBOLS	THIS DRAWING CONTAINS INFORMATION THAT IS PROPRIETARY TO MOLEX ELECTRONIC TECHNOLOGIES, LLC AND SHOULD NOT BE USED WITHOUT WRITTEN PERMISSION																														
	DIMENSION UNITS	SCALE	CURRENT REV DESC:																												
▽ = 0	mm	4:1																													
▽ = 0	GENERAL TOLERANCES (UNLESS SPECIFIED)																														
▽ = 0	ANGULAR TOL ± 3.0°																														
▽ = 0	4 PLACES ±																														
▽ = 0	3 PLACES ±																														
▽ = 0	2 PLACES ± 0.13																														
▽ = 0	1 PLACE ± 0.25																														
▽ = 0	0 PLACES ±																														
■ = 0	DRAFT WHERE APPLICABLE MUST REMAIN WITHIN DIMENSIONS																														
▽ = 0	THIRD ANGLE PROJECTION	DRAWING	SERIES																												
		D-SIZE	34707																												
<table border="1"> <tr> <td>EC NO: 612618</td> <td>2019/02/22</td> <td rowspan="2"> <p>molex</p> <p>4-BAY STAC64 VERTICAL HEADER ASSEMBLY SALES DRAWING</p> <p>PRODUCT CUSTOMER DRAWING</p> </td> </tr> <tr> <td>DRWN: SHANDITHAVAL</td> <td>2019/02/22</td> </tr> <tr> <td>CHK'D: RBAUMAN</td> <td>2019/02/23</td> <td rowspan="2"> <table border="1"> <tr> <td>DOCUMENT NUMBER</td> <td>DOC TYPE</td> <td>DOC PART</td> <td>REVISION</td> </tr> <tr> <td>SD-34707-400</td> <td>PSD</td> <td>001</td> <td>D9</td> </tr> </table> </td> </tr> <tr> <td>APPR: RBAUMAN</td> <td>2019/02/23</td> <td colspan="2"> <table border="1"> <tr> <td>MATERIAL NUMBER</td> <td>CUSTOMER</td> <td colspan="2">SHEET NUMBER</td> </tr> <tr> <td>SEE TABLE</td> <td>GENERAL MARKET</td> <td colspan="2">3 OF 4</td> </tr> </table> </td> </tr> </table>				EC NO: 612618	2019/02/22	<p>molex</p> <p>4-BAY STAC64 VERTICAL HEADER ASSEMBLY SALES DRAWING</p> <p>PRODUCT CUSTOMER DRAWING</p>	DRWN: SHANDITHAVAL	2019/02/22	CHK'D: RBAUMAN	2019/02/23	<table border="1"> <tr> <td>DOCUMENT NUMBER</td> <td>DOC TYPE</td> <td>DOC PART</td> <td>REVISION</td> </tr> <tr> <td>SD-34707-400</td> <td>PSD</td> <td>001</td> <td>D9</td> </tr> </table>	DOCUMENT NUMBER	DOC TYPE	DOC PART	REVISION	SD-34707-400	PSD	001	D9	APPR: RBAUMAN	2019/02/23	<table border="1"> <tr> <td>MATERIAL NUMBER</td> <td>CUSTOMER</td> <td colspan="2">SHEET NUMBER</td> </tr> <tr> <td>SEE TABLE</td> <td>GENERAL MARKET</td> <td colspan="2">3 OF 4</td> </tr> </table>		MATERIAL NUMBER	CUSTOMER	SHEET NUMBER		SEE TABLE	GENERAL MARKET	3 OF 4	
EC NO: 612618	2019/02/22	<p>molex</p> <p>4-BAY STAC64 VERTICAL HEADER ASSEMBLY SALES DRAWING</p> <p>PRODUCT CUSTOMER DRAWING</p>																													
DRWN: SHANDITHAVAL	2019/02/22																														
CHK'D: RBAUMAN	2019/02/23	<table border="1"> <tr> <td>DOCUMENT NUMBER</td> <td>DOC TYPE</td> <td>DOC PART</td> <td>REVISION</td> </tr> <tr> <td>SD-34707-400</td> <td>PSD</td> <td>001</td> <td>D9</td> </tr> </table>	DOCUMENT NUMBER	DOC TYPE	DOC PART	REVISION	SD-34707-400	PSD	001	D9																					
DOCUMENT NUMBER	DOC TYPE		DOC PART	REVISION																											
SD-34707-400	PSD	001	D9																												
APPR: RBAUMAN	2019/02/23	<table border="1"> <tr> <td>MATERIAL NUMBER</td> <td>CUSTOMER</td> <td colspan="2">SHEET NUMBER</td> </tr> <tr> <td>SEE TABLE</td> <td>GENERAL MARKET</td> <td colspan="2">3 OF 4</td> </tr> </table>		MATERIAL NUMBER	CUSTOMER	SHEET NUMBER		SEE TABLE	GENERAL MARKET	3 OF 4																					
MATERIAL NUMBER	CUSTOMER	SHEET NUMBER																													
SEE TABLE	GENERAL MARKET	3 OF 4																													
<table border="1"> <tr> <td>INITIAL REVISION:</td> <td colspan="3"></td> </tr> <tr> <td>DRWN: VDANIELE</td> <td>2008/11/14</td> <td colspan="2"></td> </tr> <tr> <td>APPR: SMARCEAU</td> <td>2008/11/14</td> <td colspan="2"></td> </tr> </table>				INITIAL REVISION:				DRWN: VDANIELE	2008/11/14			APPR: SMARCEAU	2008/11/14																		
INITIAL REVISION:																															
DRWN: VDANIELE	2008/11/14																														
APPR: SMARCEAU	2008/11/14																														

10 CKT HYBRID TEMPLATE
PCB LAYOUT

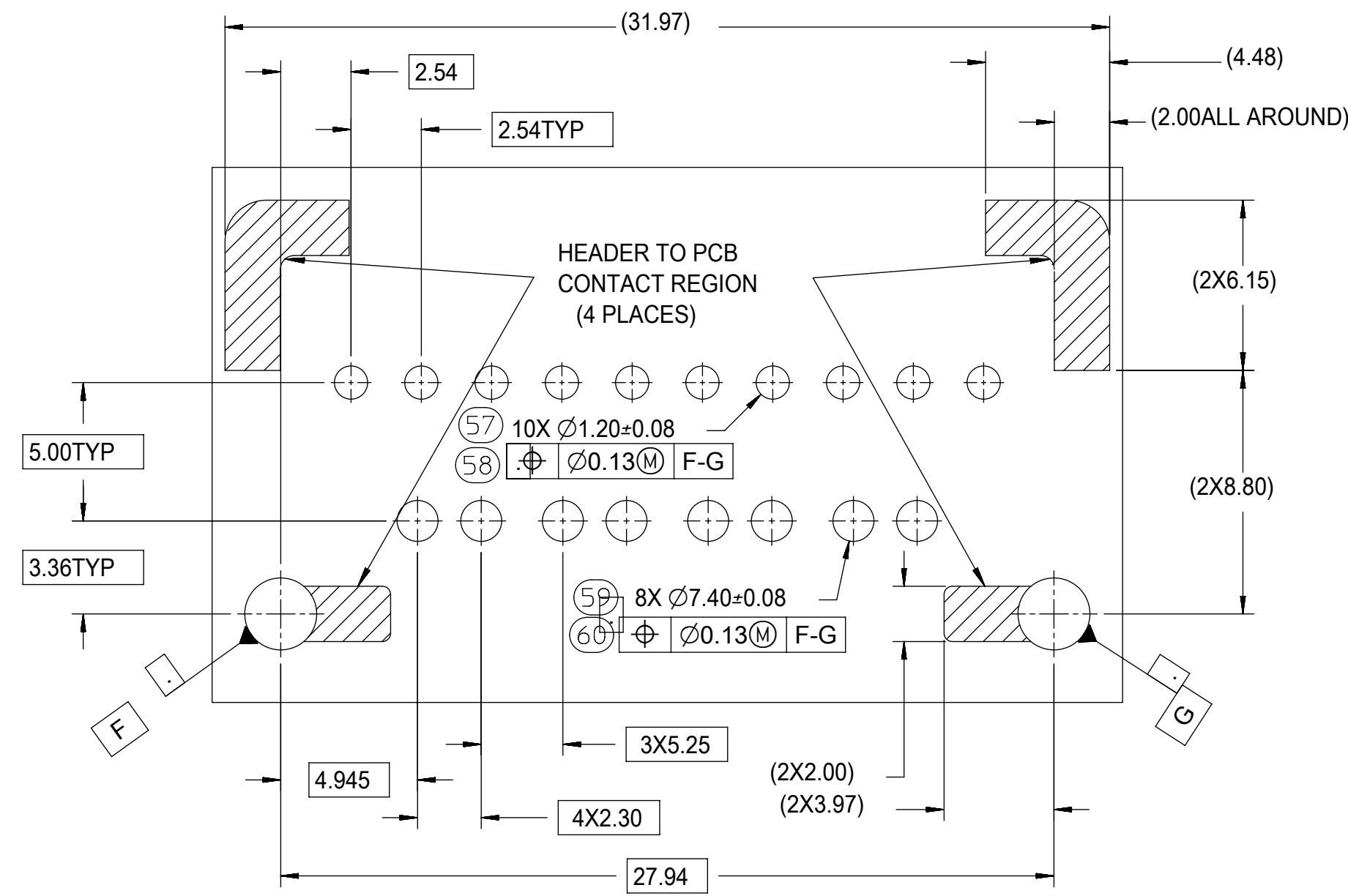


8-20 CKT 0.64mm TEMPLATE
PCB LAYOUT

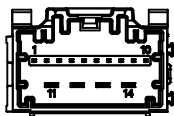
HEADER TO PCB
CONTACT REGIONS
(8 PLACES)



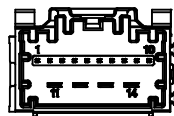
14 CKT HYBRID TEMPLATE
PCB LAYOUT



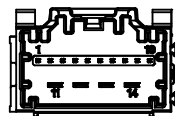
SYMBOLS	THIS DRAWING CONTAINS INFORMATION THAT IS PROPRIETARY TO MOLEX ELECTRONIC TECHNOLOGIES, LLC AND SHOULD NOT BE USED WITHOUT WRITTEN PERMISSION		
	DIMENSION UNITS	SCALE	CURRENT REV DESC:
▽ = 0	mm	4:1	<p>molex</p> <p>4-BAY STAC64 VERTICAL HEADER ASSEMBLY SALES DRAWING</p> <p>PRODUCT CUSTOMER DRAWING</p> <p>DOCUMENT NUMBER: SD-34707-400 DOC TYPE: PSD DOC PART: 001 REVISION: D9</p> <p>MATERIAL NUMBER: SEE TABLE CUSTOMER: GENERAL MARKET SHEET NUMBER: 4 OF 4</p>
▽ = 0	GENERAL TOLERANCES (UNLESS SPECIFIED)		
▽ = 0	ANGULAR TOL ± 3.0°		
▽ = 0	4 PLACES ±		
▽ = 0	3 PLACES ±		
▽ = 0	2 PLACES ± 0.13		
▽ = 0	1 PLACE ± 0.25		
▽ = 0	0 PLACES ±		
▽ = 0	DRAFT WHERE APPLICABLE MUST REMAIN WITHIN DIMENSIONS		<p>THIRD ANGLE PROJECTION</p> <p>DRAWING: D-SIZE SERIES: 34707</p>
▽ = 0			<p>EC NO: 612618</p> <p>DRWN: SHANDITHAVAL 2019/02/22</p> <p>CHK'D: RBAUMAN 2019/02/23</p> <p>APPR: RBAUMAN 2019/02/23</p> <p>INITIAL REVISION:</p> <p>DRWN: VDANIELE 2008/11/14</p> <p>APPR: SMARCEAU 2008/11/14</p>



POLARIZATION OPTION "A"
P/N 34772-0140



POLARIZATION OPTION "B"
P/N 34772-0141



POLARIZATION OPTION "C"
P/N 34772-0142

MATERIAL NUMBER		CKT SIZE	DESCRIPTION	POL	COLOR
TRAY PACKAGING PK-31300-892	TUBE PACKAGING PK-31301-063				
34772-0140	34772-9140	14	STAC64 VERTICAL HEADER ASSEMBLY	A	BLACK
34772-0141	34772-9141	14	STAC64 VERTICAL HEADER ASSEMBLY	B	GREY
34772-0142	34772-9142	14	STAC64 VERTICAL HEADER ASSEMBLY	C	BROWN

NOTES: VALID UNLESS OTHERWISE SPECIFIED
1. GENERAL:

a. CONNECTOR HEADER MUST BE VALIDATED TO THE FOLLOWING FUNCTIONAL REQUIREMENTS:

PIN RETENTION = USCAR-2 REV 5
SOLDERABILITY = SMES-152

b. APPLICATION REQUIREMENTS (REFERENCE ONLY) FOR:

SEE APPLICATION SPECIFICATION = TBD
SEE PRODUCT SPECIFICATION = TBD
MATES WITH: 34776-014*/34916-014*/34927-014*/34969-014*

c. PACKAGING SPECIFICATION SEE CHART.

2. DESIGN MATERIALS:

a. SHROUD (PLASTIC HOUSING):
RESIN - SPS 30%GF

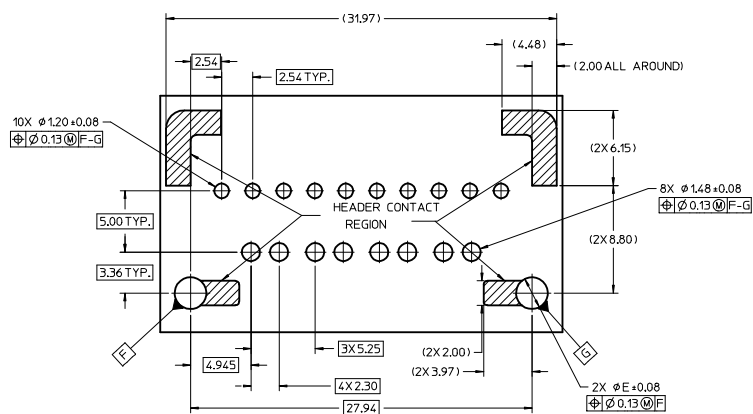
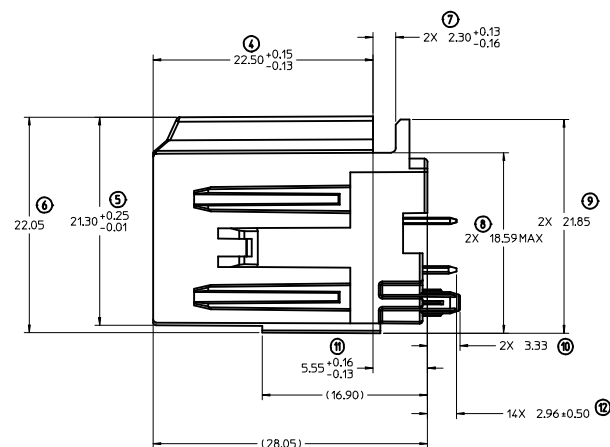
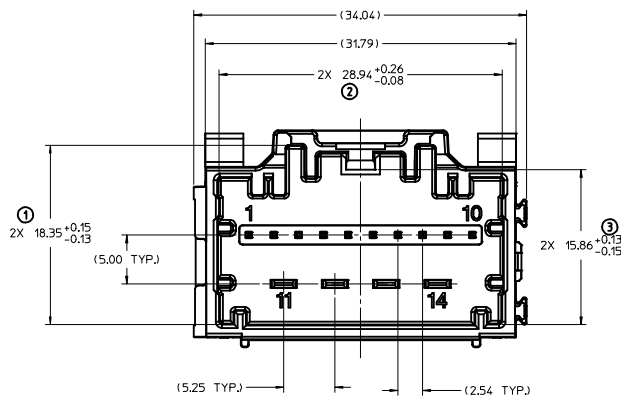
b. 0,64mm BLADES:
BASE MATERIAL: C26000
PLATING TYPE: AS NOTED

2,80mm BLADES:
BASE MATERIAL: C19400
PLATING TYPE: AS NOTED

3. PLATING REQUIREMENTS:

a. UNDERPLATING - OVERALL NICKEL
b. OVERPLATING - OVERALL TIN

ENTER DESCRIPTION IEC NO: UAU2014-0236 DRAWN: SONG05 2012/11/21 CHECKED BY: CHYKXBTANG 2013/08/13 APPROVED BY: APPR:RBAUMAN 2013/08/13 REV DESCRIPTION	QUALITY SYMBOLS	GENERAL TOLERANCES (UNLESS SPECIFIED)	DIMENSION STYLE	SCALE	DESIGN UNITS	THIRD ANGLE PROJECTION
	∇=0 ∇=0 ∇=0	mm INCH 4 PLACES +--- +--- 3 PLACES +--- +--- 2 PLACES ±0.13 ±--- 1 PLACE ±0.25 ±--- 0 PLACE ± ±	MM ONLY 2:1 METRIC ANGULAR ± 3 ° DRAFT WHERE APPLICABLE MUST REMAIN WITHIN DIMENSIONS	DRAWN BY DATE LSONG05 2011/01/13 CHECKED BY DATE VDANIELE 2011/01/13 APPROVED BY DATE SMARCEAU 2011/01/28	MATERIAL NO. SEE TABLE	DOCUMENT NO. SD-34772-010
THIS DRAWING CONTAINS INFORMATION THAT IS PROPRIETARY TO MOLEX INCORPORATED AND SHOULD NOT BE USED WITHOUT WRITTEN PERMISSION						SHEET NO. 1 OF 2



RECOMMENDED PCB LAYOUT

POST HOLE TABLE

	DIM E
PRESS FIT	Ø2.60
DROP IN	Ø3.05

ENTER DESCRIPTION IEC NO: UAU2014-0236 DRAWN: SONG05 CHKD: BTANG APPR: RBALMAN DATE: 2012/11/24 2013/08/13 2013/08/13	QUALITY SYMBOLS ∇=0 ∇=0 ∇=0	GENERAL TOLERANCES (UNLESS SPECIFIED) <table border="1"> <thead> <tr> <th></th> <th>mm</th> <th>INCH</th> </tr> </thead> <tbody> <tr> <td>4 PLACES</td> <td>±---</td> <td>±---</td> </tr> <tr> <td>3 PLACES</td> <td>±---</td> <td>±---</td> </tr> <tr> <td>2 PLACES</td> <td>±0.13</td> <td>±---</td> </tr> <tr> <td>1 PLACE</td> <td>±0.25</td> <td>±---</td> </tr> <tr> <td>0 PLACE</td> <td>±</td> <td>±</td> </tr> </tbody> </table>		mm	INCH	4 PLACES	±---	±---	3 PLACES	±---	±---	2 PLACES	±0.13	±---	1 PLACE	±0.25	±---	0 PLACE	±	±	DIMENSION STYLE MM ONLY	SCALE 4:1	DESIGN UNITS METRIC	THIRD ANGLE PROJECTION	DRAWN BY LSONG05	DATE 2011/01/13	TITLE STAC64 SINGLE BAY VERTICAL ASSEMBLY 14 CKT HYBRID
				mm	INCH																						
4 PLACES	±---	±---																									
3 PLACES	±---	±---																									
2 PLACES	±0.13	±---																									
1 PLACE	±0.25	±---																									
0 PLACE	±	±																									
CHECKED BY VDANIELE	DATE 2011/01/13	APPROVED BY SMARCEAU	DATE 2011/01/28																								
MATERIAL NO. SEE SHEET 1		DOCUMENT NO. SD-34772-010		SHEET NO. 2 OF 2		INCORPORATED AND SHOULD NOT BE USED WITHOUT WRITTEN PERMISSION																					