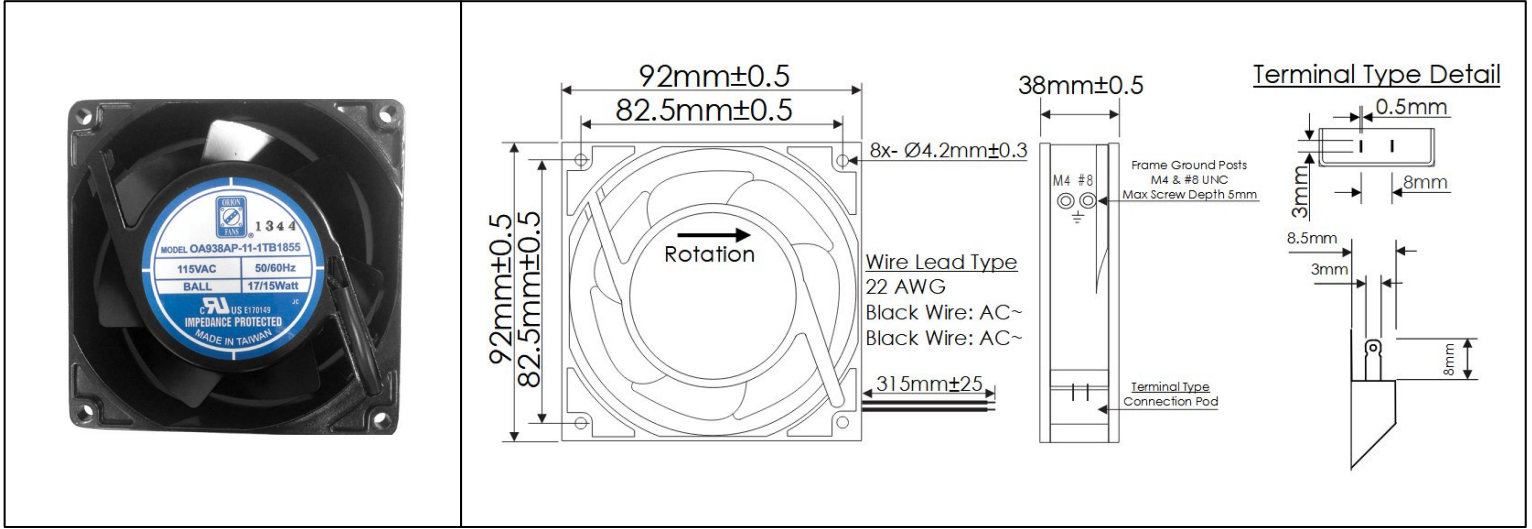


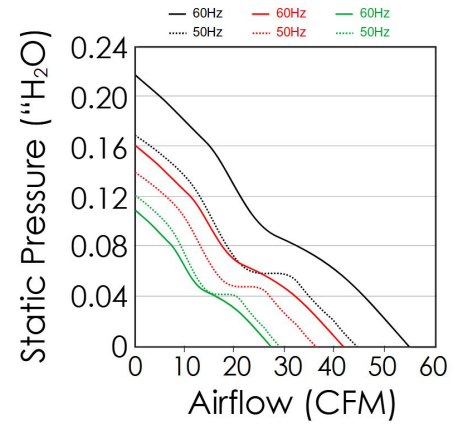
OA938AP All Metal Series



AC Fans - 115, 230V
92mm x 38mm (3.62" x 1.50")



Frame	Die Cast Aluminum, Black Finish	Operating Temperature -30°C ~ +80°C Storage Temperature -40°C ~ +100°C Life Expectancy 50,000 Hours (L10 at 55°C) Installed Options IP55 Rated Motor Weight: 1.1 lbs
Impeller	Steel, Black Finish	
Connection	2x Wire Leads, 22 AWG, or Terminals	
Motor	Shaded Pole, Impedance Protected, IP55 Rated	
Bearing System	Ball Bearings	
Dielectric Strength	1500VAC/min, <1mA	
Insulation Resistance	≥10MΩ @ 500 VDC	



Part Number	Rated Voltage (Volts AC)	Voltage Range (Volts AC)	Frequency (Hz)	Input Power (Watts)	Rated Speed (RPM)	Max Airflow (CFM)	Noise Level (dBA)	Max Static Pressure ("H ₂ O)
OA938AP-11-1*B1855	115	100 ~ 130	50 / 60	17 / 15	2750 / 3150	45 / 55	40.1	0.17 / 0.22
OA938AP-11-2*B1855	115	100 ~ 130	50 / 60	13 / 11	2350 / 2600	36 / 42	33.4	0.14 / 0.16
OA938AP-11-3*B1855	115	100 ~ 130	50 / 60	9 / 7	1950 / 1850	29 / 27	23.6	0.12 / 0.11
OA938AP-22-1*B1855	230	200 ~ 255	50 / 60	17 / 15	2750 / 3150	45 / 55	40.1	0.17 / 0.22
OA938AP-22-2*B1855	230	200 ~ 255	50 / 60	13 / 11	2350 / 2600	36 / 42	33.4	0.14 / 0.16
OA938AP-22-3*B1855	230	200 ~ 255	50 / 60	9 / 7	1950 / 1850	29 / 27	23.6	0.12 / 0.11

* Substitute "T" for Terminal type connection, or "W" for Wire Lead connection.