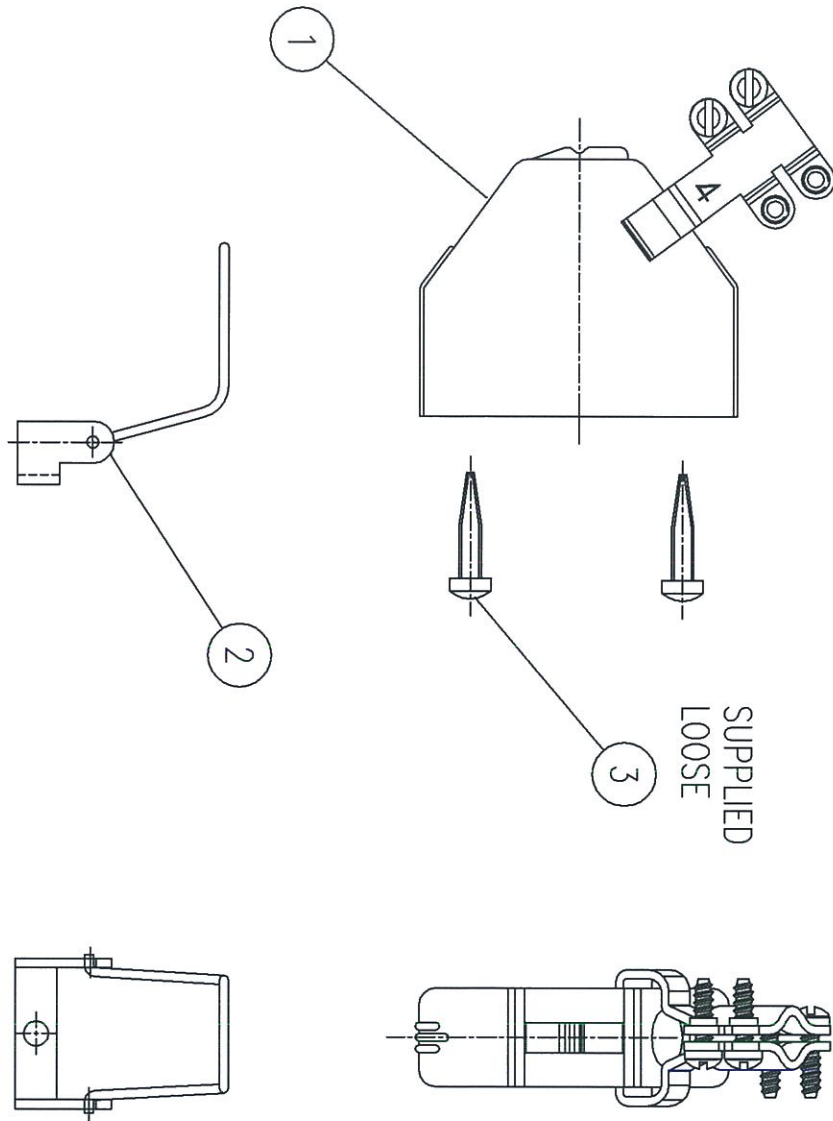




ROHS COMPLIANT

CUSTOMER DRAWING



SUPPLIED LOOSE

THIS DRAWING IS COPYRIGHT AND IS ISSUED ON CONDITION IT IS NOT COPIED, REPRODUCED OR DISCLOSED TO A THIRD PARTY WITHOUT THE CONSENT IN WRITING OF CINCH CONNECTORS LTD. ATTENTION IS DRAWN TO THE FACT THAT THE ARTICLE DISCLOSED MAY BE COVERED BY BRITISH OR FOREIGN PATENTS, GRANTED OR PENDING OR REGISTERED DESIGN.

					APP'D	GENERAL TOLERANCE			TITLE 4 WAY MOULD SHELL ASSEMBLY AND SPRING CLIP ASSY		
					DATE	DRN. R. MUSCROFT			DATE 30.03.11	SCALE	CHD JNM
					MOD No.	MATERIAL SPEC.			APP'D		
					ISSUE	FINISHED HARDNESS			FINISHED COLOUR		
					A	CUST. ISS.	30.03.11				
					B	DI7159	25.09.13				
						SCREW	3	ZINC PLATE	2		
						SPRING CLIP ASSY	2		1		
						SHELL ASSY	1		1		
CODE	DESCRIPTION	T _E M	FINISH	No. OFF	ISSUE						