

APPLICATIONS

The CLWPP is a series of premium, rugged, durable LED wall packs, which are perfect for outdoor perimeter and area lighting. With a die cast aluminum housing and a polycarbonate lens, the CLWPP will stand up to many years of punishing environmental conditions. High-efficiency, long-life LEDs provide both energy and maintenance cost savings compared to traditional, HID wall packs.

FEATURES

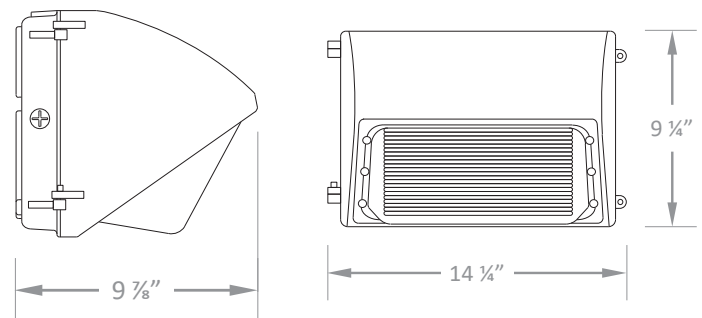
- Available in 4000k (neutral white) and 5000k (cool white) color temperatures.*
- Long-life LEDs provide 141,000 hours of operation with at least 70% of initial lumen output (L_{70}).**
- CLWPP-35 provides 4,632 lumens & 129 lumens per watt (LPW) at 4000k; or 4,726 lumens & 131 LPW at 5000k.*
- CLWPP-55 provides 7,588 lumens & 133 LPW at 4000k; or 7,728 lumens & 136 LPW at 5000k.*
- CLWPP-80 provides 9,486 lumens & 123 LPW at 4000k; or 9,680 lumens & 126 LPW at 5000k.*
- CLWPP-100 provides 13,065 lumens & 129 LPW at 4000k; or 13,295 lumens & 132 LPW at 5000k.*
- CLWPP-120 provides 15,523 lumens & 130 LPW at 4000k; or 15,787 lumens & 133 LPW at 5000k.*
- Uniform illumination with no visible LED pixelation.
- Universal 120-277 AC voltage (50-60Hz) is standard.
- Power factor > 0.90.
- Total harmonic distortion < 20%.
- Color rendering index > 80.
- Die cast aluminum housing with dark bronze, powder coat paint.
- Polycarbonate lens with seamless, silicone gasket to prevent leaks. Polycarbonate has F1 rating to avoid discoloration.
- Internal bubble level facilitates level installation.
- Easy installation in new construction or retrofit.

* Contact factory for other color temperatures and lumen packages.

** L_{70} hours are IES TM-21-11 calculated hours.



DIMENSIONS



WARRANTY & LISTINGS

- cULus listed for wet locations (-20°C to 45°C / -4°F to 113°F)
- IP65 rated
- DLC premium approved
- Complies with FCC Part 15 class B
- Complies with EN61000-4-5, surge immunity (minimum 2kV)
- 5-Year Warranty on all electronics and housing

PRODUCT PARAMETER

MODEL	LUMINAIRE LUMENS	LUMINAIRE WATTS	LUMENS PER WATT	COLOR TEMPERATURE
CLWPP-3540	4632	36	129	40=5000K
CLWPP-3550	4726	36	131	50=5000K
CLWPP-5540	7588	57	133	40=5000K
CLWPP-5550	7728	57	136	50=5000K
CLWPP-8040	9486	77	123	40=5000K
CLWPP-8050	9680	77	126	50=5000K
CLWPP-10040	13065	101	129	40=5000K
CLWPP-10050	13295	101	132	50=5000K
CLWPP-12040	15523	119	130	40=5000K
CLWPP-12050	15787	119	133	50=5000K

ELECTRICAL DATA

MODEL	Color	CRI ¹	LUMINAIRE LUMENS	LUMINAIRE WATTS	LUMENS/WATTS	INPUT VOLTAGE ²	INPUT CURRENT (A)			Power Factor	THD ³	L ₇₀ HOURS ⁴
							120V	240V	277V			
CLWPP-3540	40=5000K	>80	4632	36	129	120-277	0.30	0.15	0.13	<90%	<20%	141,000
CLWPP-3550	50=5000K		4726	36	131		0.30	0.15	0.13			
CLWPP-5540	40=5000K		7588	57	133		0.48	0.24	0.21			
CLWPP-5550	50=5000K		7728	57	136		0.48	0.24	0.21			
CLWPP-8040	40=5000K		9486	77	123		0.64	0.32	0.28			
CLWPP-8050	50=5000K		9680	77	126		0.64	0.32	0.28			
CLWPP-10040	40=5000K		13065	101	129		0.84	0.42	0.36			
CLWPP-10050-	50=5000K		13295	101	132		0.84	0.42	0.36			
CLWPP-12040	40=5000K		15523	119	130		0.99	0.50	0.43			
CLWPP-12050	50=5000K		15787	119	133		0.99	0.50	0.43			

¹ Color rendering index.

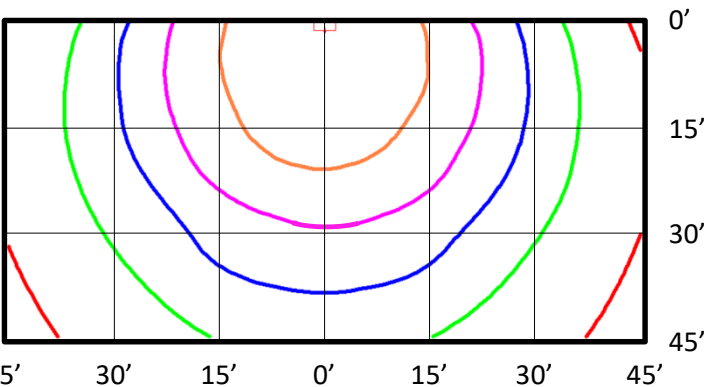
² All 50-60Hz.

³ Total harmonic distortion.

⁴ L₇₀ refers to the number of hours at which lumen output declines to 70% of the initial level. L₇₀ hours are IES TM-21-11 calculated hours.

PHOTOMETRIC DATA

CLWPP-12050 (15,787 Lumens)



BUG Rating: B3-U4-G5

Zone	Lumens	%
FL - Front - Low (0-30)	1,959	12%
FM - Front - Medium (30-60)	4,728	30%
FH - Front - High (60-80)	2,963	19%
FVH - Front - Very High (80-90)	953	6%
Total Forward Light	10,603	67%
BL - Back - Low (0-30)	1,577	10%
BM - Back - Medium (30-60)	1,907	12%
BH - Back - High (60-80)	482	3%
BVH - Back - Very High (80-90)	74	0%
Total Back Light	4,041	26%
UL - Up Light - Low (90-100)	594	4%
UH - Up Light - High (100-180)	549	3%
Total Up Light	1,143	7%
Total Lumens	15,787	100%

Notes:

- Isofootcandle plots depict initial footcandles at grade.
- Gridlines represent units of mounting height of 15 feet.

Foot Candles

- 5.0
- 2.0
- 1.0
- 0.5
- 0.2
- 0.1