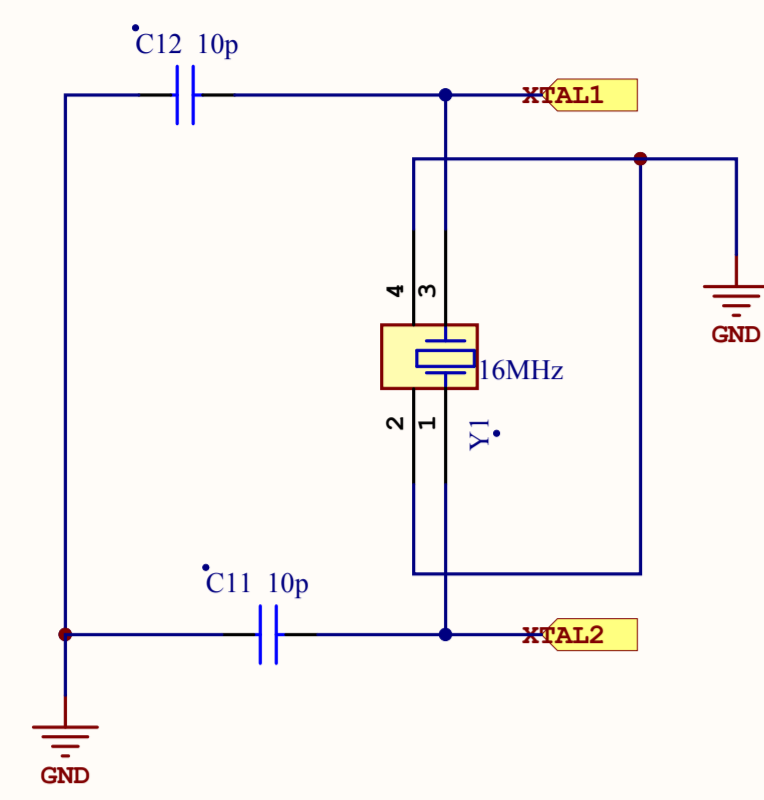
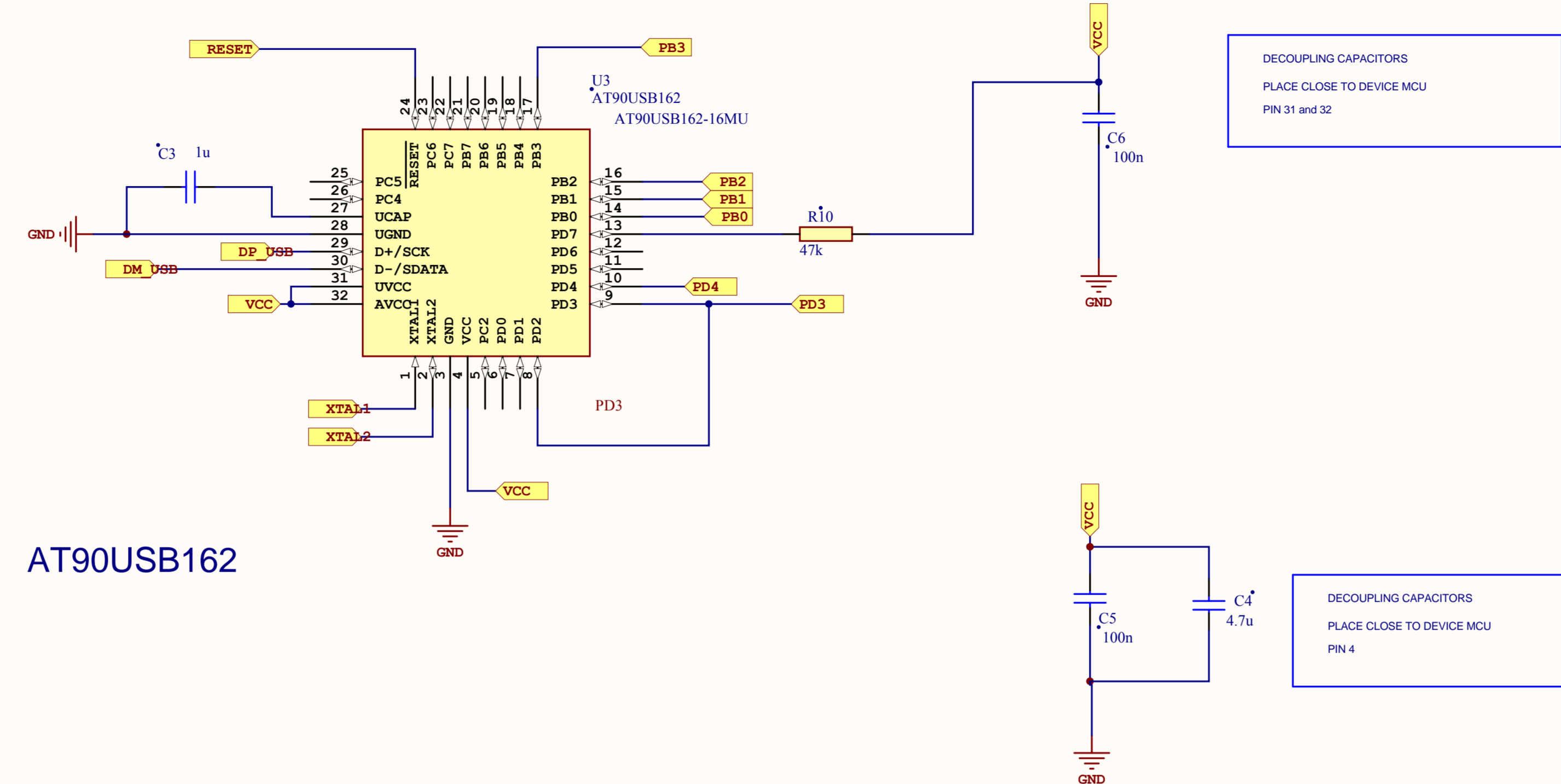


REVISION RECORD			
LTR	EDD NO	APPROVED	DATE



Oscillator

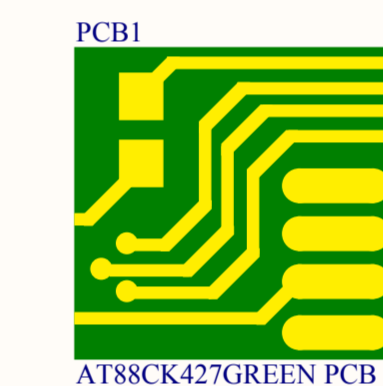
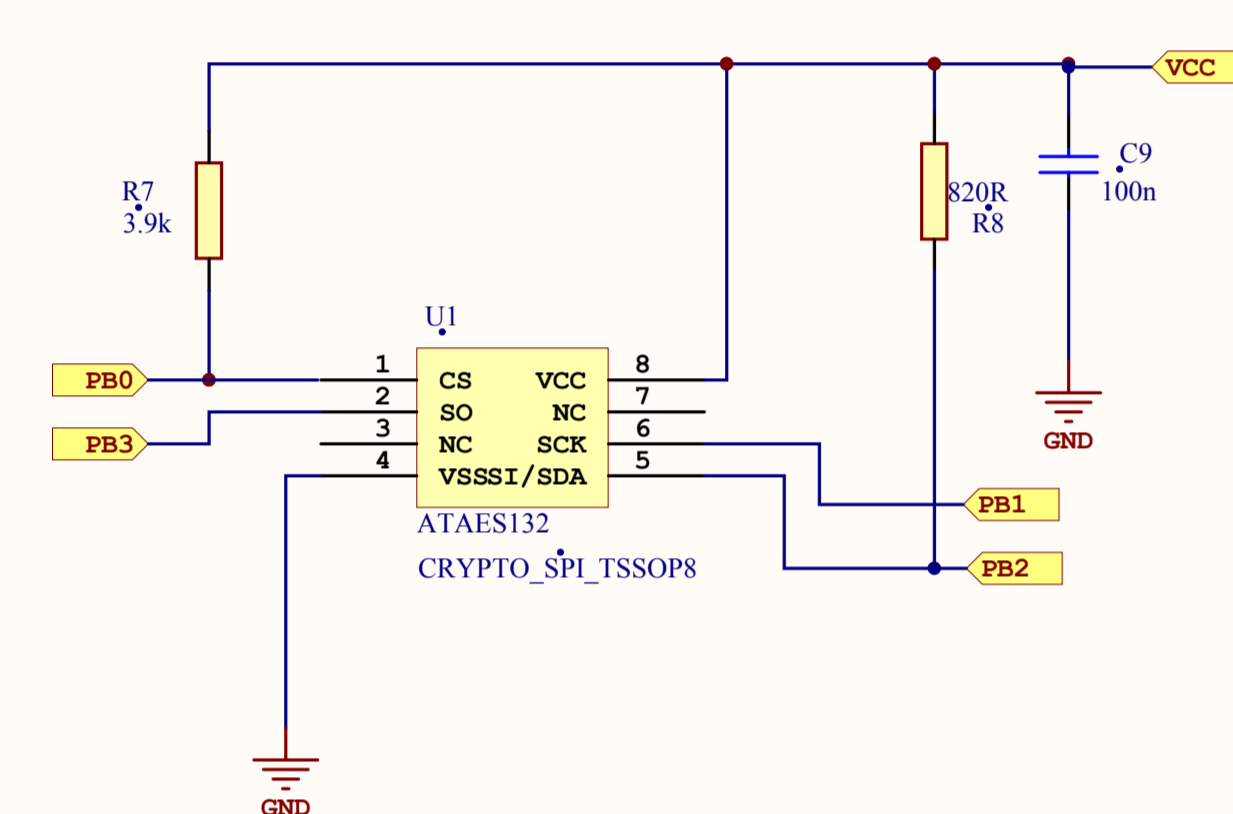


AT90USB162

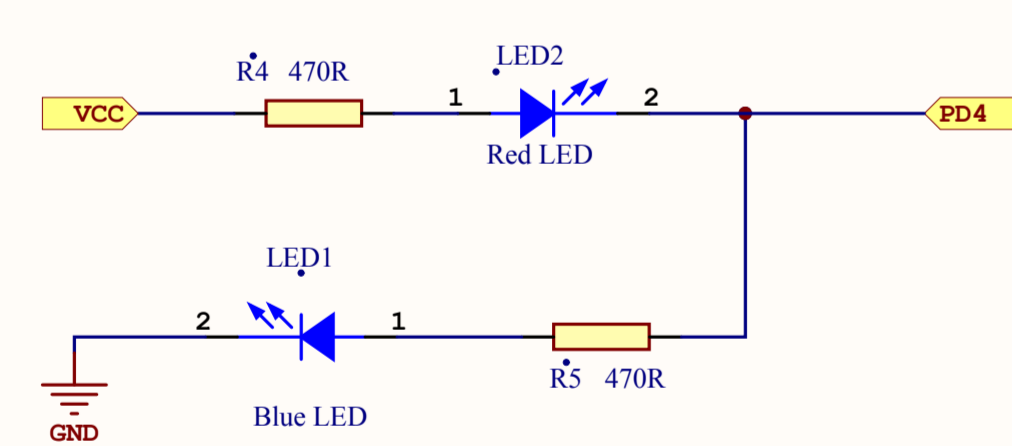
DECOUPLING CAPACITORS
PLACE CLOSE TO DEVICE MCU
PIN 31 and 32

DECOUPLING CAPACITORS
PLACE CLOSE TO DEVICE MCU
PIN 4

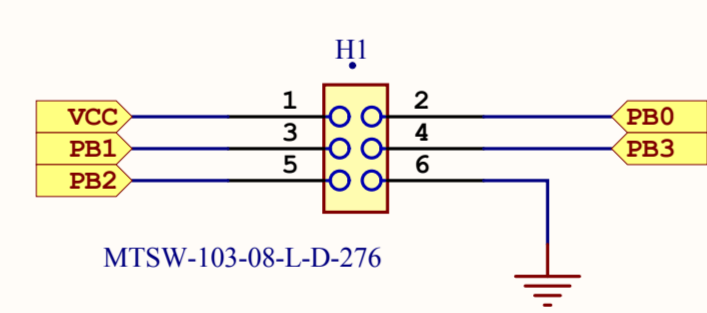
AES132



LED

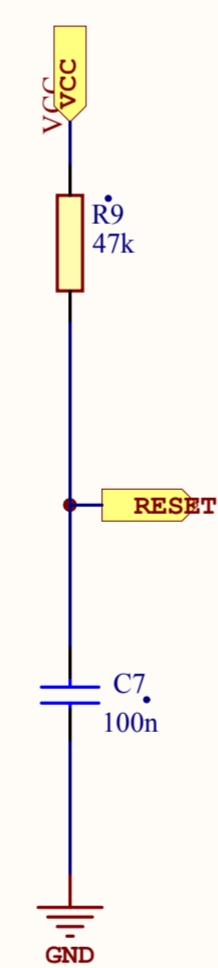


HEADER

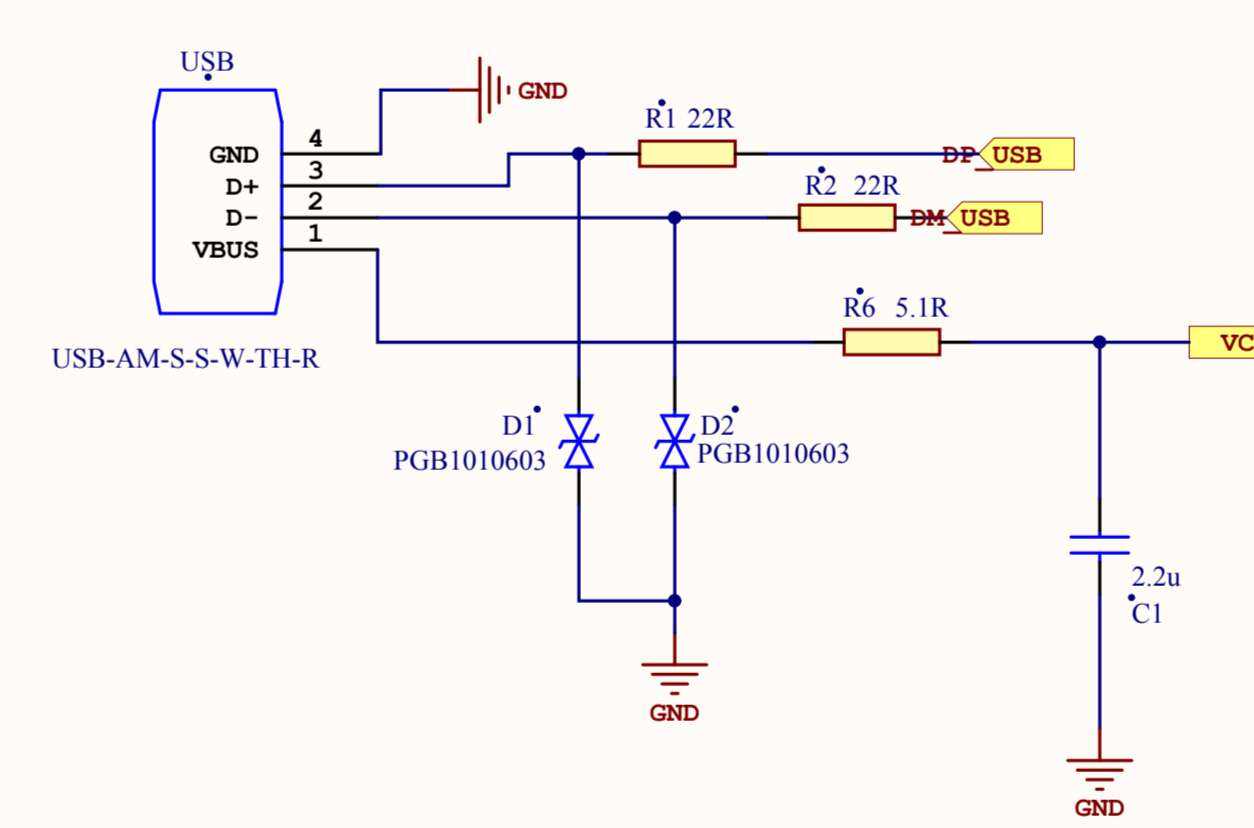


Not usable for reflow soldering. Wave only. To be used by request from ESCATEC.

Power On-Reset



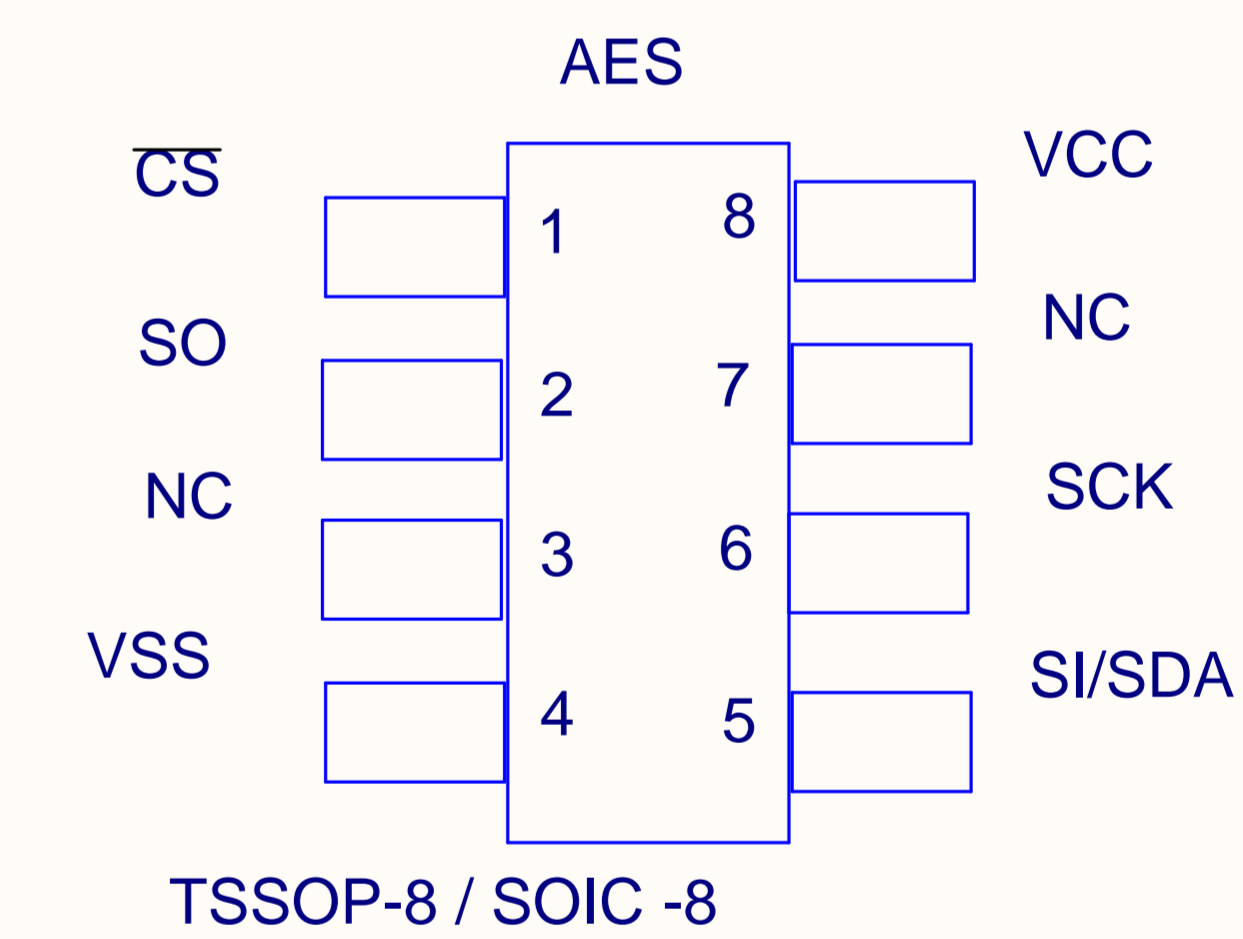
USB



D+ D- RESISTORS
Close to the MCU

NOTES:

SPI
PB0 SS / CS
PB1 SCLK / SCK
PB2 MOSI / SI
PB3 MISO / SO



COMPANY: AT88CK427/GREEN PCB			
TITLE: AT88CK427			
DRAWN: M.JACKSON	DATED: 23-MAY-11	CODE	REV: 3.0
CHECKED:	DATED:	SIZE	DRAWING NO: A09-1311
QUALITY CONTROL:	DATED:	SCALE: NTS	
RELEASED:	DATED:	SHEET: 1 OF 1	