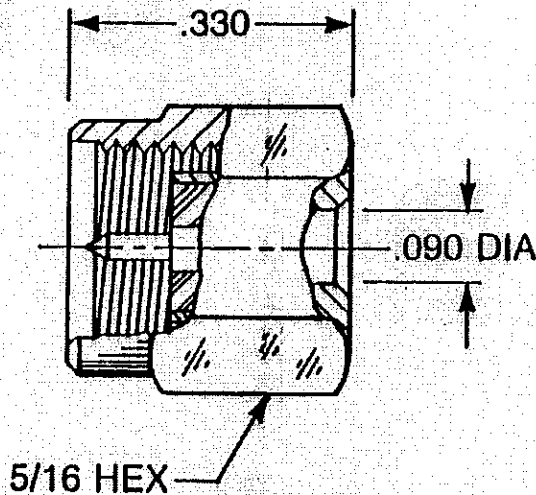


PROPRIETARY INFORMATION  
 NOT TO BE RELEASED  
 WITHOUT WRITTEN PERMISSION  
 FROM AN AUTHORIZED  
 REPRESENTATIVE OF  
 APPLIED ENGINEERING PRODUCTS.

REVISIONS			
LTR	DESCRIPTION	DATE	APPROVED



NOTES: CONFORMS TO MIL-C-39012 SMA SERIES

MATERIAL:

1. BODY & COUPLING NUT = STAINLESS STEEL, TYPE 303, COND. A PER ASTM A582.
2. CONTACT & SNAP RING = BERYLLIUM COPPER PER ASTM B196.
3. INSULATOR = VIRGIN WHITE TEFLON PER ASTM D1710.
4. GASKET = SILICON RUBBER PER ZZ-R-765 CLASS 2B, GRADE 65.

FINISHES:

1. BODY = GOLD PLATE PER MIL-G-45204 TYPE II, CLASS 0, GRADE C OVER STRESS FREE NICKEL PER QQ-N-290.
2. COUPLING NUT = PASSIVATE PER QQ-P-35, TYPE VI.
3. CONTACT = GOLD PLATE PER MIL-G-45204 TYPE II, CLASS I, GRADE C OVER STRESS FREE NICKEL PER QQ-N-290.

UNLESS OTHERWISE SPECIFIED DIMENSIONS ARE IN INCHES TOLERANCES ON FRAC.   DECIMAL   ANGLES 1/64   ± .005   ± 2°	DRAWN D.N.                      5-24-94	APPLIED ENGINEERING PRODUCTS 104 John W. Murphy Drive, P.O. Box 510 New Haven, CT 06513	
	CHECKED <i>VPS</i> 5-24-94	SMA STRAIGHT PLUG DIRECT SOLDER FOR .085 SEMI-RIGID CABLE WITH SEPARATE CENTER CONTACT	
MATERIAL:  SEE NOTES	APPROVED <i>[Signature]</i> 5/24/94	SIZE <b>A</b>	CODE IDENT NO. <b>19505</b>
	FINISH:  SEE NOTES	SCALE NONE	9401-1083-210 SHEET 1 OF 1

Design Products Co. Clearprint #1000H