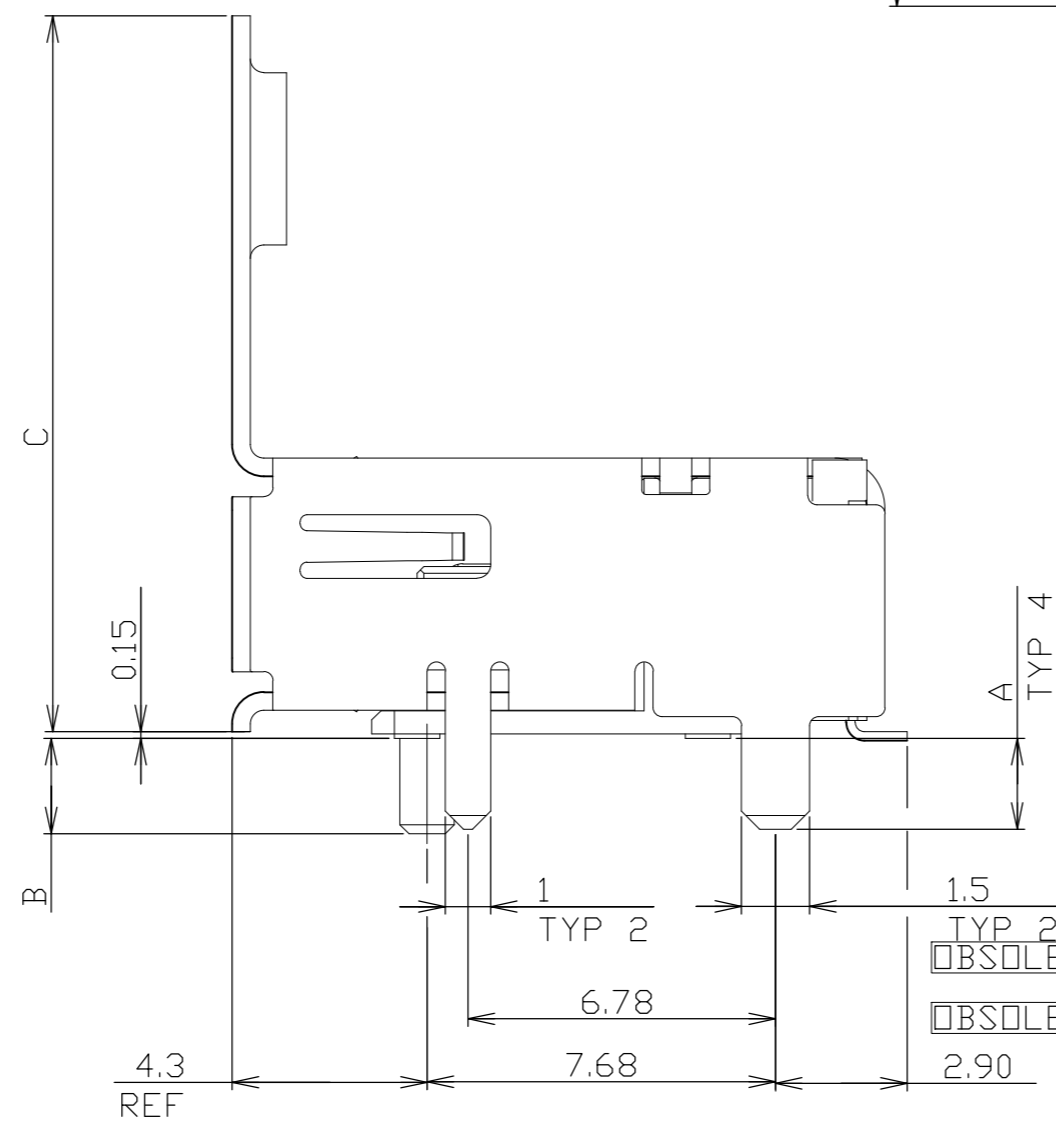
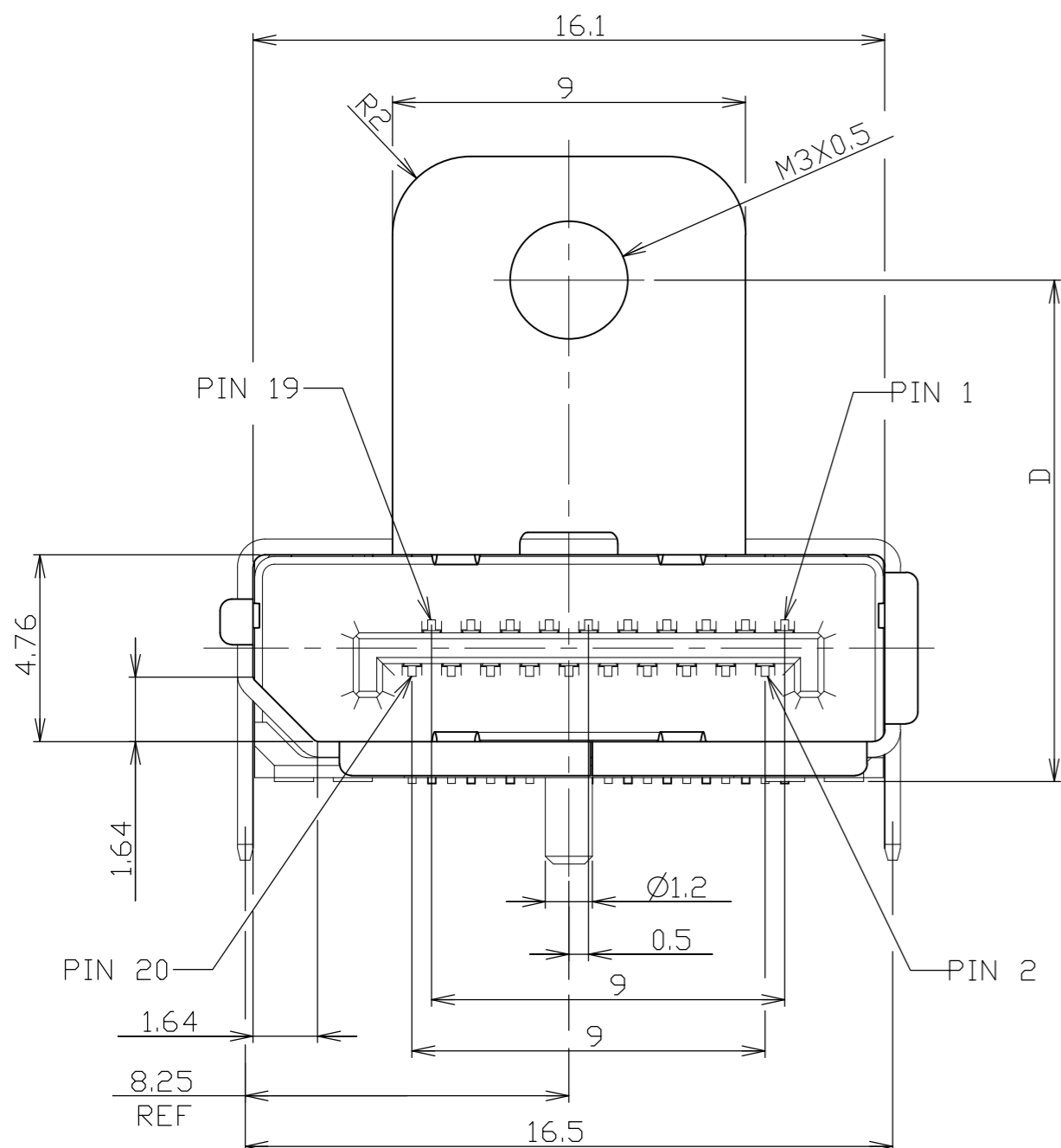
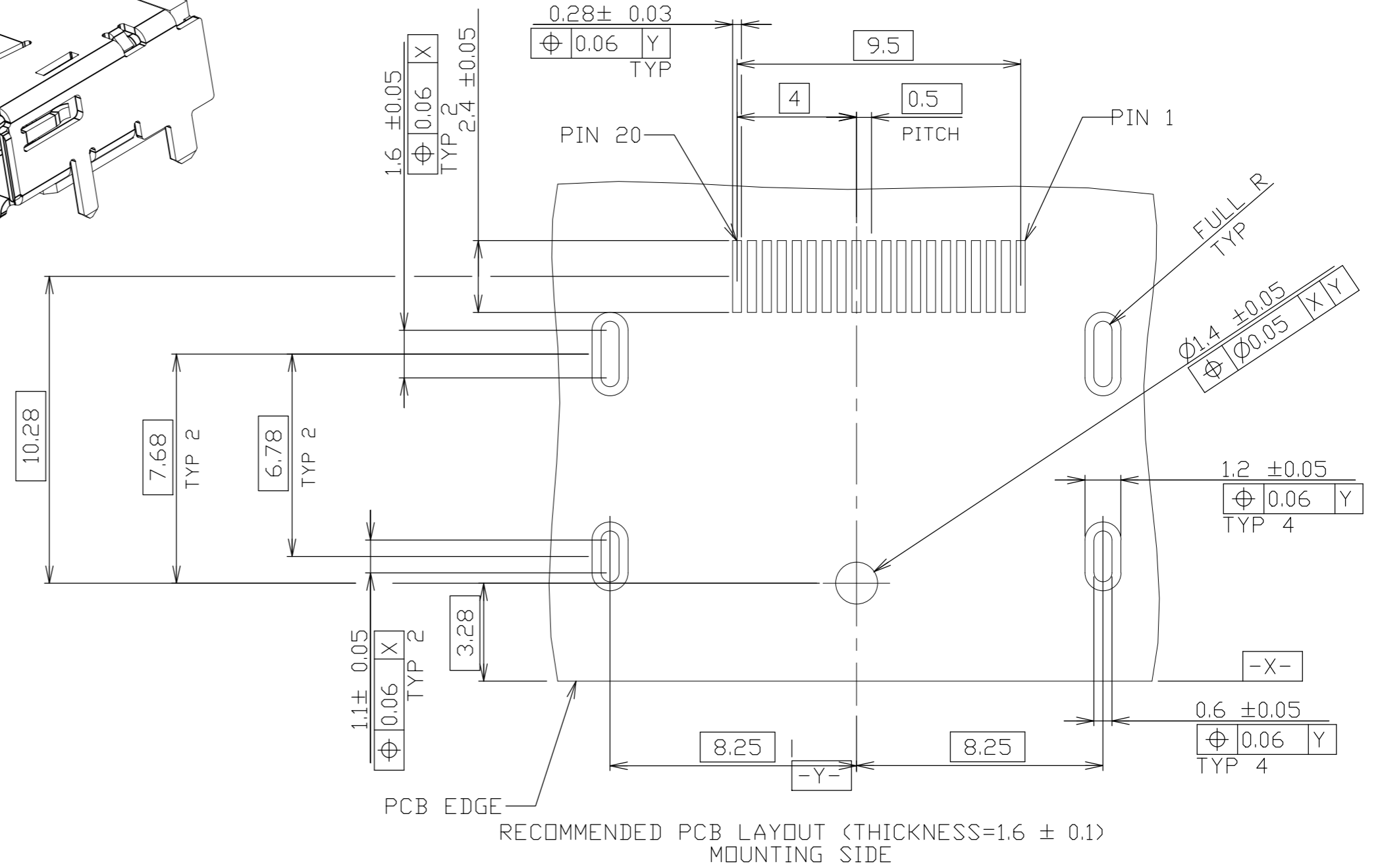
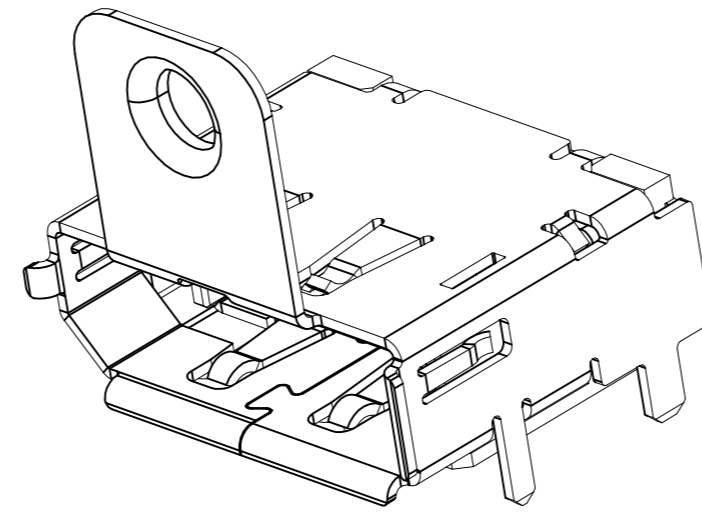
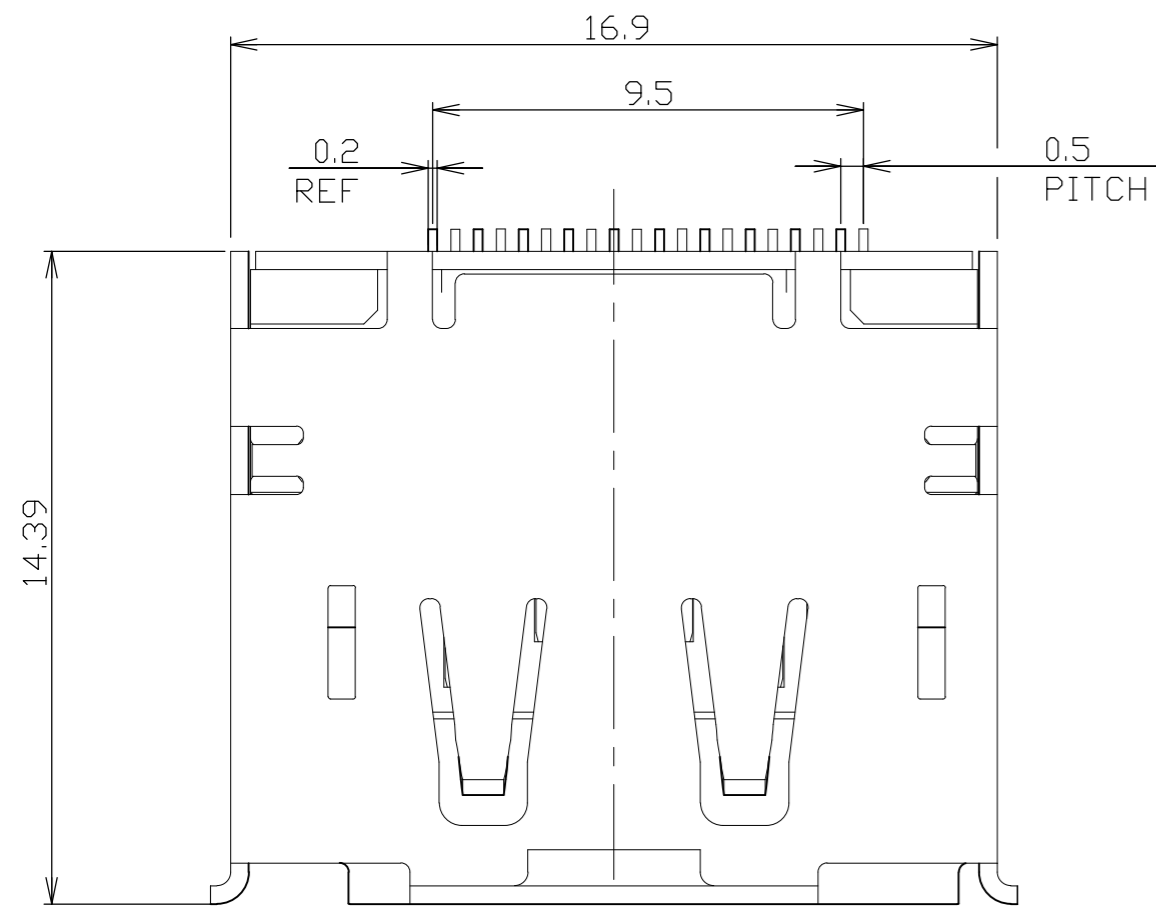


LOC		DIST		REVISIONS			DATE	DWN	APVD
P	LTR	DESCRIPTION							
J		E		REVISED (ECR-15-017380)		02DEC2015	T.Z	H.W	



1.MATERIAL:
 HOUSING: HIGH TEMPERATURE THERMAL PLASTIC, BLACK, UL94V-0.
 CONTACT: COPPER ALLOY.
 SHELL: COPPER ALLOY.
 MYLAR: POLYIMIDE FILM.

2.FINISH:
 CONTACT: CONTACT AREA: GOLD PLATING (SEE TABLE) OVER 1.27
 MINIMUM MICRON NICKEL PLATING ALL
 SOLDER TAIL AREA: 2.54 MINIMUM MICRON TIN PLATING.
 SHELL: NICKEL PLATING SOLDERABILITY IS WORSE THAN MATTE TIN PLATING
 IN SOME CONDITION, IN SUCH CASE, PLEASE SELECT MATTE TIN

3.THIS PRODUCT IS PACKED IN TRAY.

YES	0.38 MICRON	NICKEL	9.5	12.5	2.1	2	9-2040204-2
YES	0.76 MICRON	NICKEL	9.5	12.5	2.1	2	9-2040204-1
YES	0.76 MICRON	NICKEL	12.78	15.78	2.1	2	5-2040204-1
NO	0.76 MICRON	MATTE TIN	12.78	15.78	1.9	1.8	1-2040204-5
NO	0.76 MICRON	NICKEL	12.78	15.78	1.9	1.8	1-2040204-1
NO	0.76 MICRON	MATTE TIN	12.78	15.78	2.1	2	2040204-5
NO	0.76 MICRON	NICKEL	12.78	15.78	2.1	2	2040204-1
MYLAR	CONTACT AU PLATING	SHELL PLATING	DIM D	DIM C	DIM B	DIM A	PART NUMBER

THIS DRAWING IS A CONTROLLED DOCUMENT FOR TYCO ELECTRONICS CORPORATION. IT IS SUBJECT TO CHANGE AND THE CONTROLLING ENGINEERING ORGANIZATION SHOULD BE CONTACTED FOR THE LATEST REVISION.

APVD: T.KUSUHARA 15FEB2008
 CHK: T.KUSUHARA 15FEB2008
 DWN: Y.HIRATA 15FEB2008

Tyco Electronics Corporation
 Kawasaki, Japan

NAME: RECEPTACLE ASSEMBLY
 DISPLAYPORT RA SMT STD TH-LEG WITH FLANGE

SIZE: A2 CAGE CODE: 0779 DRAWING NO: 2040204 RESTRICTED TO: -

MATERIAL: CUSTOMER DRAWING WEIGHT: SCALE: 4:1 SHEET 1 OF 2 REV E

4

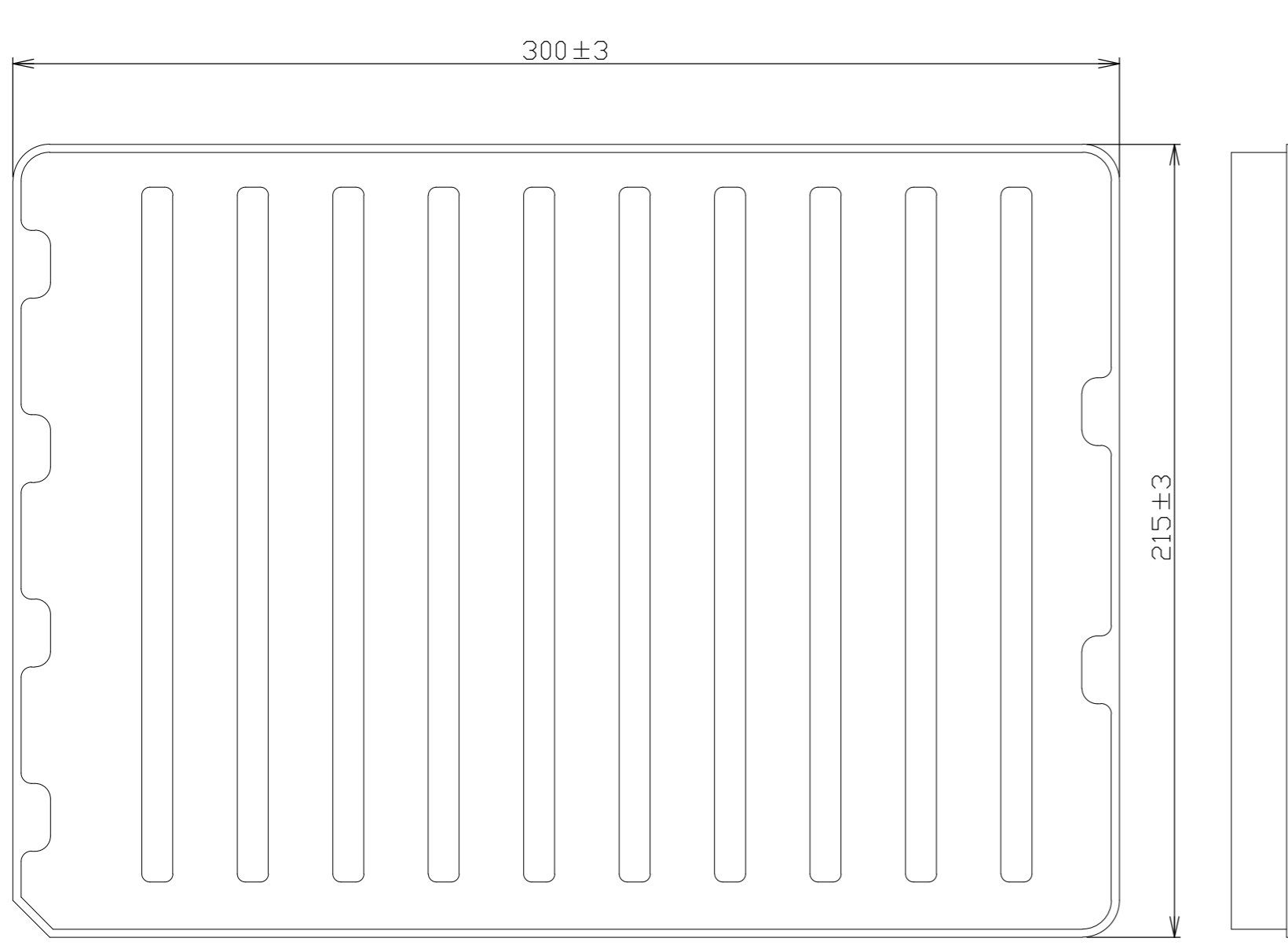
3

2

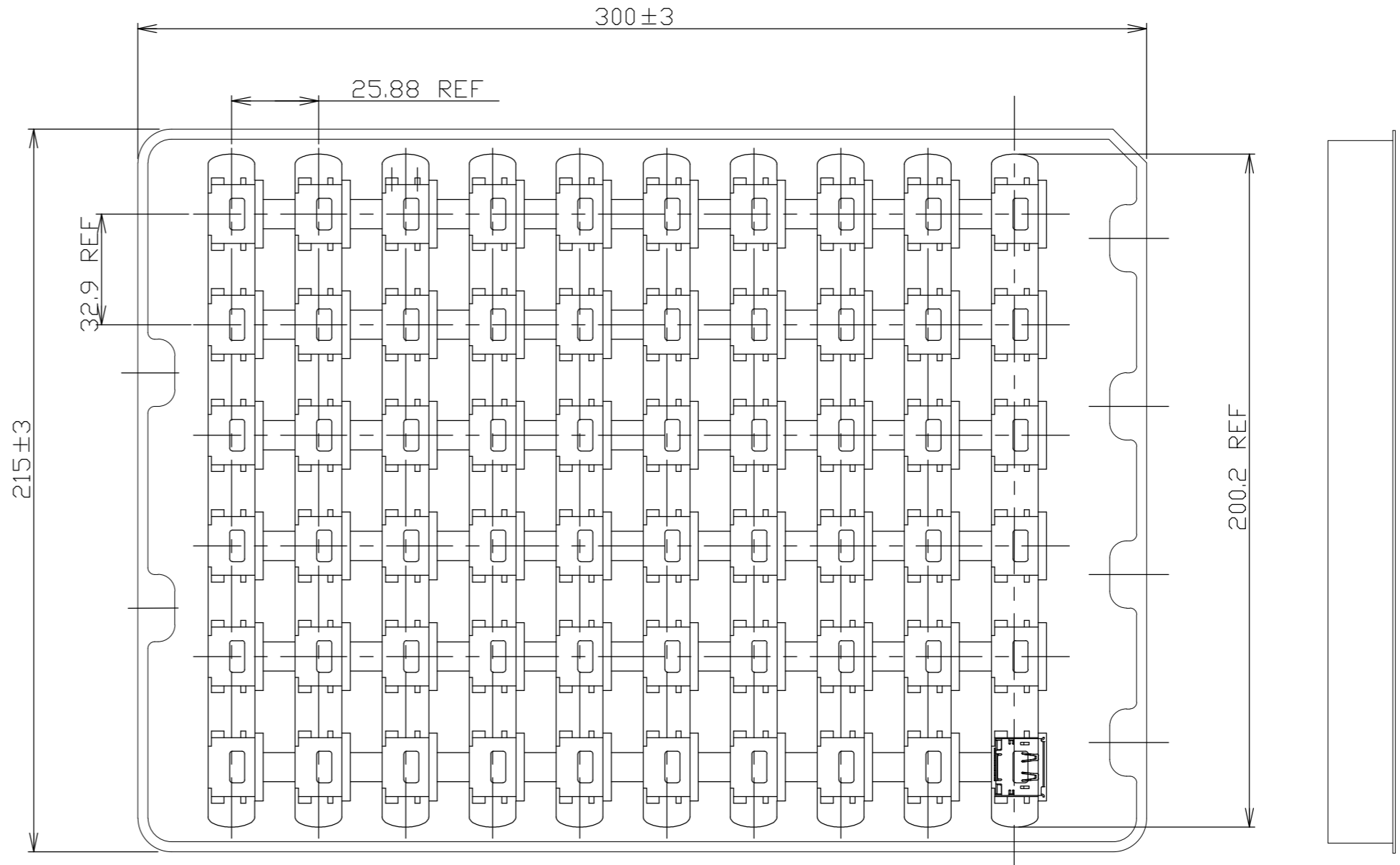
1

THIS DRAWING IS UNPUBLISHED. RELEASED FOR PUBLICATION 2008
 © COPYRIGHT 2008 BY TYCO ELECTRONICS CORPORATION. ALL RIGHTS RESERVED.

LOC	DIST	REVISIONS			
P	LTR	DESCRIPTION	DATE	DWN	APVD
-	-	SEE SHEET 1	-	-	-



UPPER TARY



LOWER TARY

PACKAGE TARY

THIS DRAWING IS A CONTROLLED DOCUMENT FOR TYCO ELECTRONICS CORPORATION. IT IS SUBJECT TO CHANGE AND THE CONTROLLING ENGINEERING ORGANIZATION SHOULD BE CONTACTED FOR THE LATEST REVISION.

DIMENSIONS:	TOLERANCES UNLESS OTHERWISE SPECIFIED:	DWN	Tyco Electronics Corporation Kawasaki, Japan
mm	0 PLC ±	CHK	
	1 PLC ±	APVD	
	2 PLC ±	PRODUCT SPEC	
MATERIAL	3 PLC ±	APPLICATION SPEC	NAME
	4 PLC ±	WEIGHT	RECEPTACLE ASSEMBLY DISPLAYPORT RA SMT STD TH-LEG WITH FLANGE
	ANGLES ±	CUSTOMER DRAWING	SIZE
	FINISH ±		CAGE CODE
			DRAWING NO
			RESTRICTED TO
			A2 00779 C= 2040204
			SCALE NTS SHEET 2 OF 2 REV E

2040204