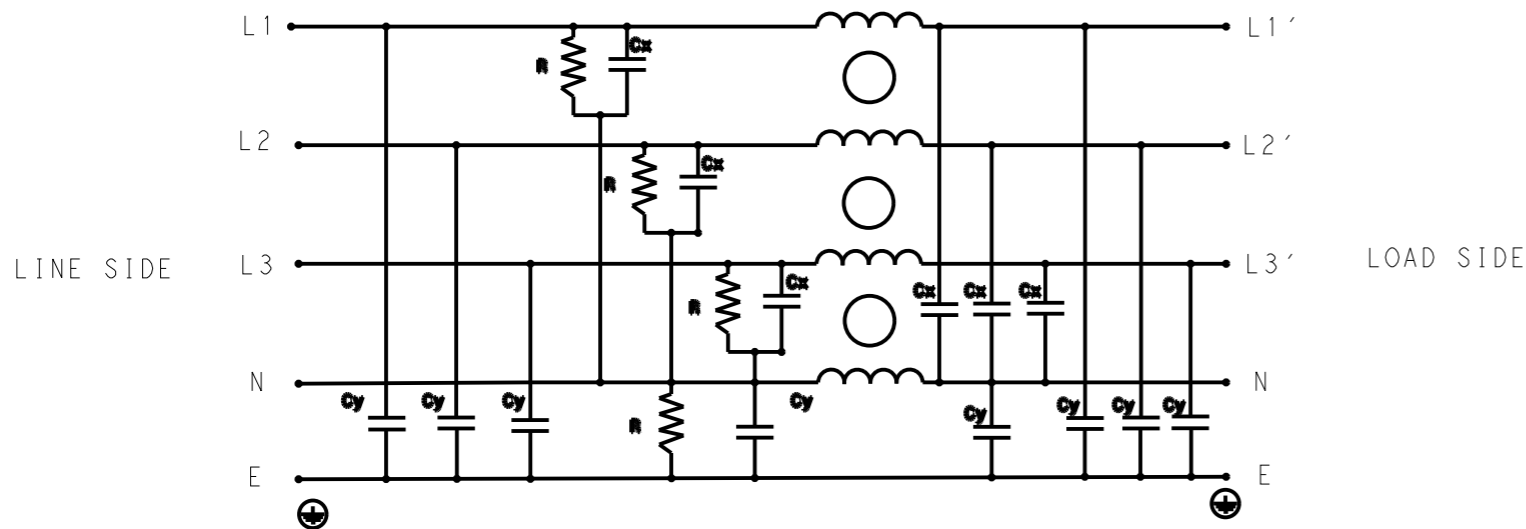


| P | LTR | DESCRIPTION     | DATE      | DWN | APVD |
|---|-----|-----------------|-----------|-----|------|
|   | A   | INITIAL RELEASE | 12APR2021 | BS  | CB   |



SCHEMATIC

SAFETY ORGANIZATIONS

THIS FILTER WILL BE FORMALLY RECOGNIZED, CERTIFIED OR APPROVED BY THE LISTED AGENCY. THEREFORE, ALL TEST/REQUIREMENTS SPECIFIED IN THE LATEST REVISION OF THE FOLLOWING AGENCY STANDARDS WILL BE MET:

UL APPROVED 6A 520V 50Hz/60Hz 40°C  
 CSA PENDING 6A 520V 50Hz/60Hz 40°C

OPERATING SPECIFICATION

LINE CURRENT/VOLTAGE: 6A, 520VAC  
 LINE FREQUENCY: 50/60Hz

MAXIMUM LEAKAGE CURRENT: 8.5mA @ 230VAC, 50Hz

OPERATING AMBIENT TEMPERATURE RANGE @ RATED CURRENT: -25°C TO +40°C

IN AN AMBIENT, T<sub>a</sub>, HIGHER THAN 40°C, THE MAXIMUM OPERATING CURRENT, I<sub>o</sub>, IS AS FOLLOWS:

$$I_o = I_r \sqrt{\frac{85 - T_a}{45}}$$

RELIABILITY SPECIFICATIONS

STORAGE TEMPERATURE: -40°C TO +85°C  
 HUMIDITY: 21 DAYS @ 40°C AND 95% RH

TEST SPECIFICATIONS

INDUCTANCE, NOMINAL: 9.5mH

CAPACITANCE @ 1kHz

LINE TO GROUND, NOMINAL: 1.1µF  
 NEUTRAL TO GROUND, NOMINAL: 2.2µF  
 LINE TO NEUTRAL, NOMINAL: 2µF

DISCHARGE RESISTOR

L/L I.R. 2MΩ 1W  
 L/N I.R. 1MΩ 1W  
 L/G I.R. 2MΩ 1W  
 N/G I.R. 1MΩ 1W  
 IR (NO DISCHARGE RESISTOR) 20°C, 50% RH AND 100VDC, MIN: 6MΩ

RECOMMENDED RECEIVING INSPECITON HIPOT

LINE TO GROUND FOR 1 MINUTE: 2856VDC  
 LINE TO LINE FOR 1 MINUTE: 2236VDC  
 LINE TO NEUTRAL FOR 1 MINUTE: 1290VDC

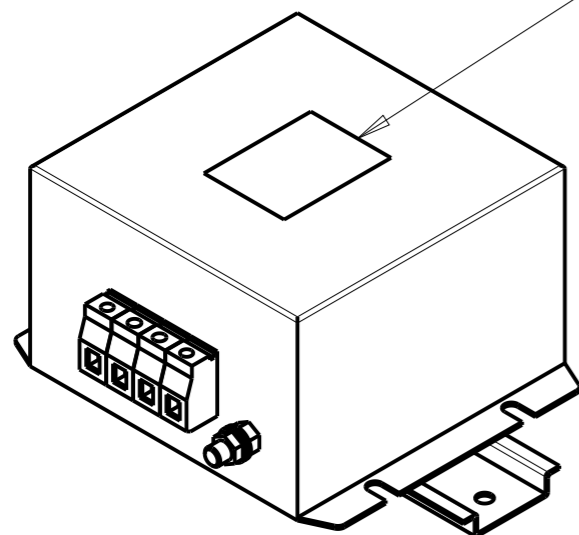
FILTER APPROVAL

THE BEST WAY TO SELECT AND QUALIFY A FILTER IS FOR YOUR ENGINEERING TO TEST THE UNIT IN YOUR EQUIPMENT.

TYPICAL INSERTION LOSS  
 COMMON MODE 50/50Ω; DIFFERENTIAL MODE 50/50Ω

| MHz | 0.01 | 0.05 | 0.15 | 0.5 | 1  | 3  | 5  | 10 | 30 |
|-----|------|------|------|-----|----|----|----|----|----|
| CM  | 61   | 60   | 60   | 55  | 49 | 40 | 38 | 34 | 26 |
| DM  | 56   | 52   | 54   | 50  | 47 | 35 | 30 | 40 | 32 |

LABEL TO TE  
 MARKING SPECIFICATION



|  |  |                               |  |  |
|--|--|-------------------------------|--|--|
| THIS DRAWING IS A CONTROLLED DOCUMENT. |  | DWN 12APR2021<br>BAPAT SAHAS  |  |  |
| DIMENSIONS:<br>mm                      |  | CHK 12APR2021<br>CHRIS BOLLE  |  |  |
| TOLERANCES UNLESS OTHERWISE SPECIFIED: |  | APVD 12APR2021<br>CHRIS BOLLE | NAME<br>POWER LINE FILTER FOR<br>DIN 35 RAIL INSTALLATION<br>6KEPS10BFPWVM |  |
| 0 PLC ±-                               |  | PRODUCT SPEC                  | SIZE   |  |
| 1 PLC ±0.5                             |  | APPLICATION SPEC              | CAGE CODE  |  |
| 2 PLC ±0.40                            |  |                               | DRAWING NO   |  |
| 3 PLC ±0.130                           |  |                               | RESTRICTED TO  |  |
| 4 PLC ±0.0500                          |  |                               | A300779  |  |
| ANGLES ±-                              |  | WEIGHT                        | C-7-1609969-7  |  |
| MATERIAL                               |  |                               | SCALE 1:2  |  |
| FINISH                                 |  |                               | SHEET 1 OF 2   |  |
|  |  |                               | REV A  |  |
|  |  | CUSTOMER DRAWING              |  |  |

© 2021 TE Connectivity. All Rights Reserved.

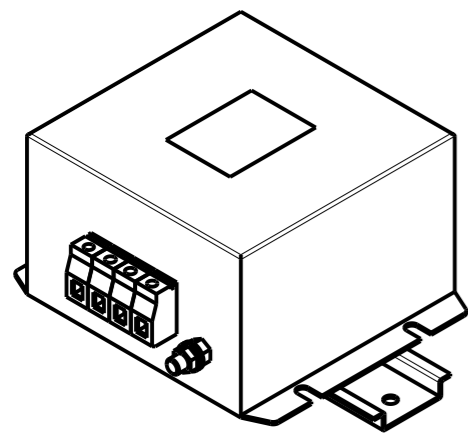
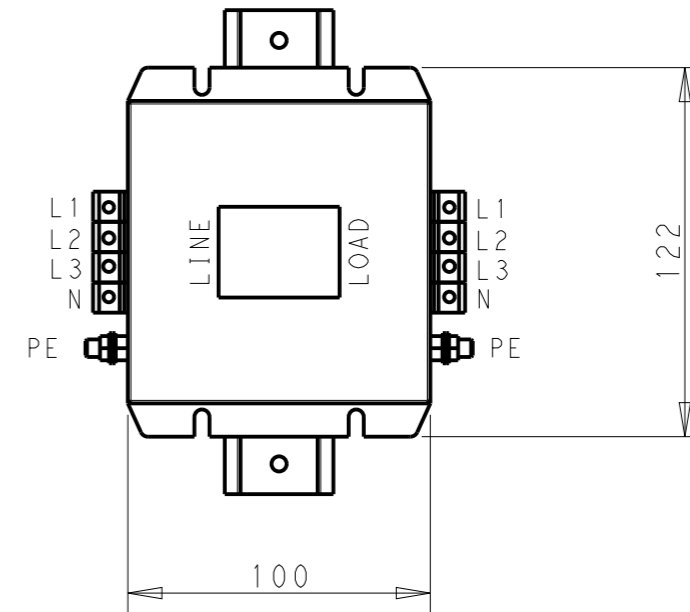
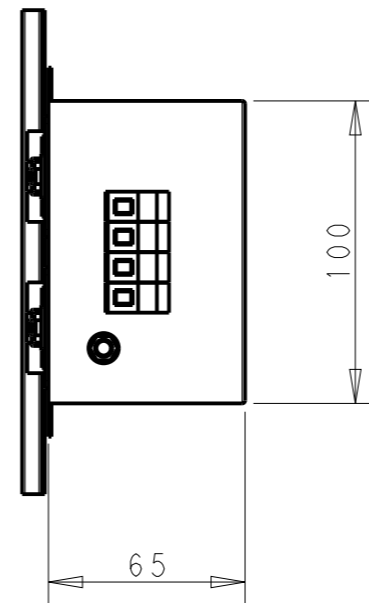
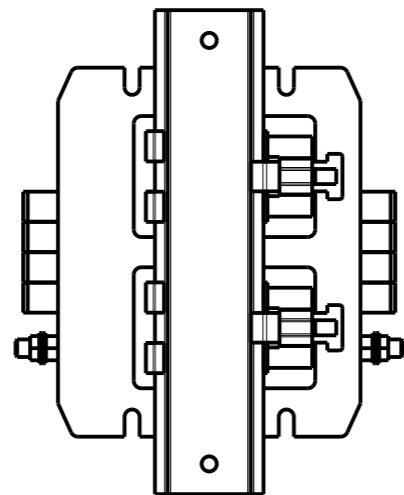
NOTE 1 GROUND CONNECTION:  
 FOR ELECTRICAL SAFETY AND FILTER PERFORMANCE  
 UNIT MUST HAVE A GOOD GROUND CONNECTION.  
 TORQUE OUTER TERMINAL SCREWS: 0.5Nm / 4.5 in.lbs  
 TORQUE GROUND NUTS: 2.5-3Nm

NOTE 2 INPUT OUTPUT CONNECTION TERMINAL  
 AWG SIZE: 26-12 AWG  
 WIRE SECTION: 4 mm<sup>2</sup>  
 THREADED BOLT SIZE FOR GROUND: M6

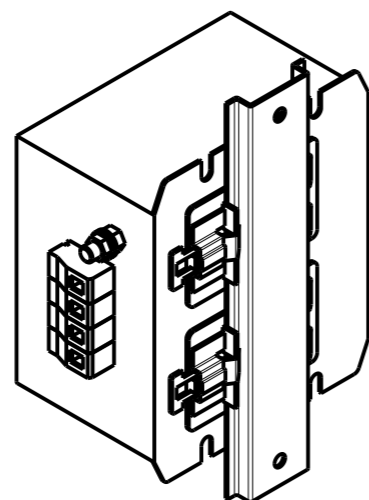
NOTE 3 SUPPLIED WITH DIN RAIL BRACKET

NOTE 4 DRAWINGS SHOWS DIN RAIL FOR REFERENCE ONLY

| REVISIONS |     |             |      |     |      |
|-----------|-----|-------------|------|-----|------|
| P         | LTR | DESCRIPTION | DATE | DWN | APVD |
|           |     | SEE SHEET 1 |      |     |      |
|           |     |             |      |     |      |
|           |     |             |      |     |      |




FRONT SIDE



REAR SIDE



DIN RAIL CHANNEL      DIN 35 BRACKET

|   |  |                                  |   |                 |                            |
|---|--|----------------------------------|---|-----------------|----------------------------|
| THIS DRAWING IS A CONTROLLED DOCUMENT.  |  | DWN<br>BAPAT SAHAS<br>12APR2021  |  TE Connectivity |                 |                            |
| DIMENSIONS:<br>mm   |  | CHK<br>CHRIS BOLLE<br>12APR2021  |   |                 |                            |
| TOLERANCES UNLESS OTHERWISE SPECIFIED:  |  | APVD<br>CHRIS BOLLE<br>12APR2021 | NAME<br>POWER LINE FILTER FOR<br>DIN 35 RAIL INSTALLATION<br>6KEPS10BFPWVM                            |                 |                            |
| 0 PLC ±-<br>1 PLC ±0.5<br>2 PLC ±0.40<br>3 PLC ±0.130<br>4 PLC ±0.0500<br>ANGLES ±- |  | PRODUCT SPEC<br>-                | RESTRICTED TO<br>-  |                 |                            |
| MATERIAL<br>-   |  | FINISH<br>-                      | APPLICATION SPEC<br>-   | SIZE<br>A300779 | CAGE CODE<br>C-7-1609969-7 |
| -   |  | WEIGHT<br>-                      | CUSTOMER DRAWING  | SCALE<br>2:5    | SHEET<br>2 OF 2            |
|   |  |                                  |   |                 | REV<br>A                   |