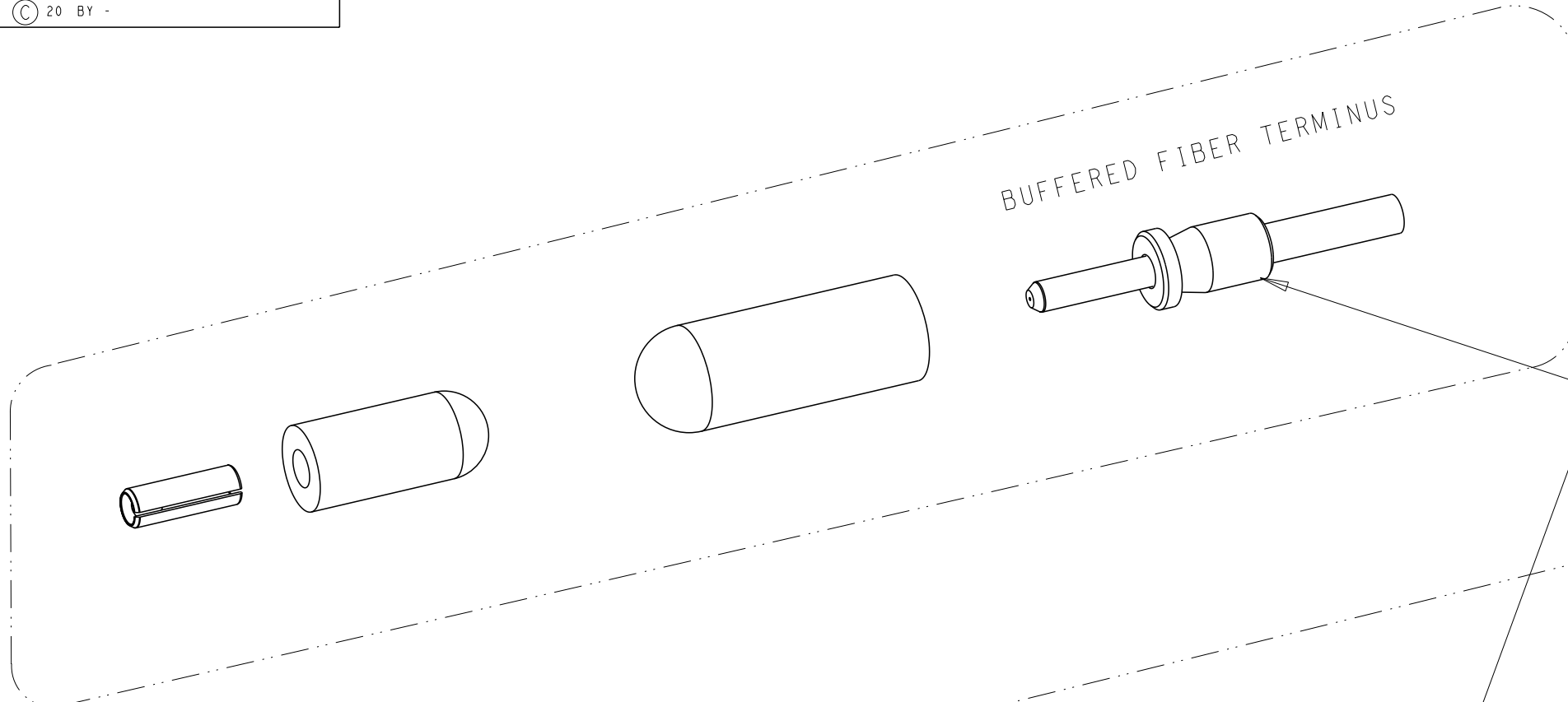


© 20 BY -

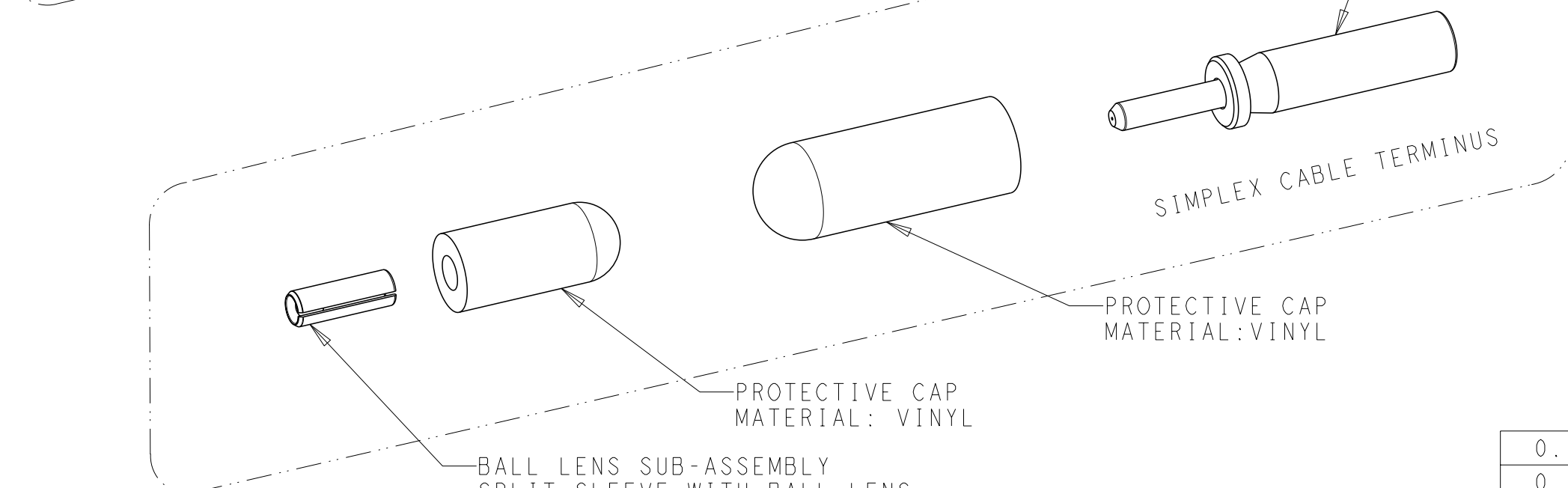
REVISIONS

P	LTR	DESCRIPTION	DATE	DWN	APVD
	A	RELEASED	19NOV2019	DF	SM
	A1	REVISED PER ECO-20-014881	22OCT2020	LN	DW



BUFFERED FIBER TERMINUS

PIN TERMINUS SUB-ASSEMBLY  
 FERRULE WITH BASE  
 BASE MATERIAL: BRASS  
 BASE FINISH: NICKEL  
 PIN FERRULE MATERIAL: CERAMIC



SIMPLEX CABLE TERMINUS

PROTECTIVE CAP  
MATERIAL: VINYL

PROTECTIVE CAP  
MATERIAL: VINYL

BALL LENS SUB-ASSEMBLY  
 SPLIT SLEEVE WITH BALL LENS  
 SPLIT SLEEVE MATERIAL: CERAMIC  
 BALL LENS MATERIAL: FLINT GLASS WITH ANTI-REFLECTION COATING

0.9 BUFFERED FIBER	126.0	2313255-4
0.9 BUFFERED FIBER	125.5	2313255-3
1.6-2.1 SIMPLEX CABLE	126.0	2313255-2
1.6-2.1 SIMPLEX CABLE	125.5	2313255-1
CABLE SIZE (mm)	FERRULE HOLE SIZE (µm)	PART NUMBER

THIS DRAWING IS A CONTROLLED DOCUMENT.		DWN D. FABIAN	27AUG2018		
DIMENSIONS: mm		CHK -	APVD -		
TOLERANCES UNLESS OTHERWISE SPECIFIED:		PRODUCT SPEC -		APPLICATION SPEC -	
MATERIAL -		WEIGHT -		SIZE A300779	CAGE CODE C-2313255
FINISH -		CUSTOMER DRAWING		SCALE 5:1	SHEET 1 OF 1
0 PLC ±-				RESTRICTED TO -	
1 PLC ±-				REV A1	
2 PLC ±0.13					
3 PLC ±0.013					
4 PLC ±-					
ANGLES ±1					