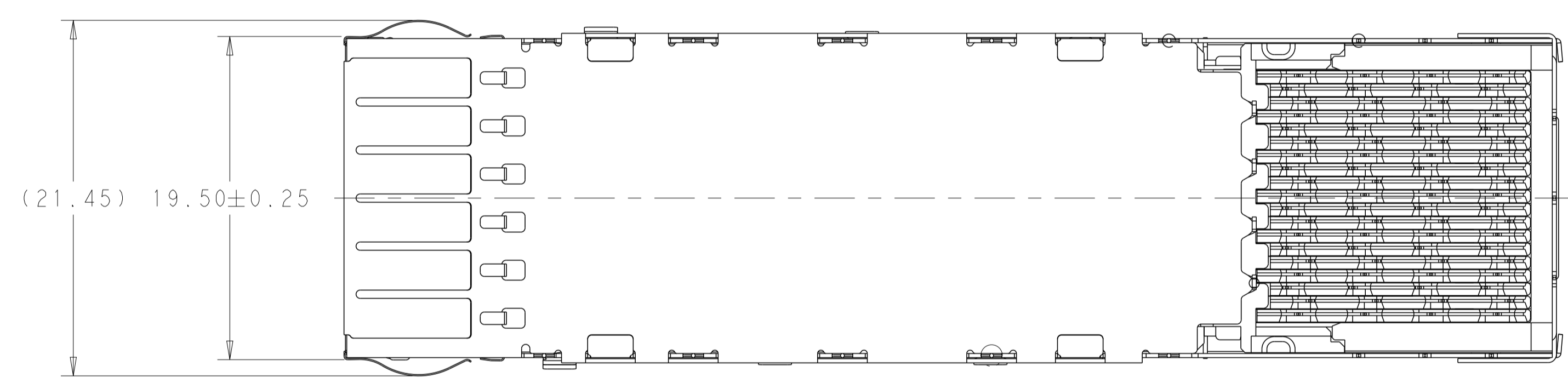
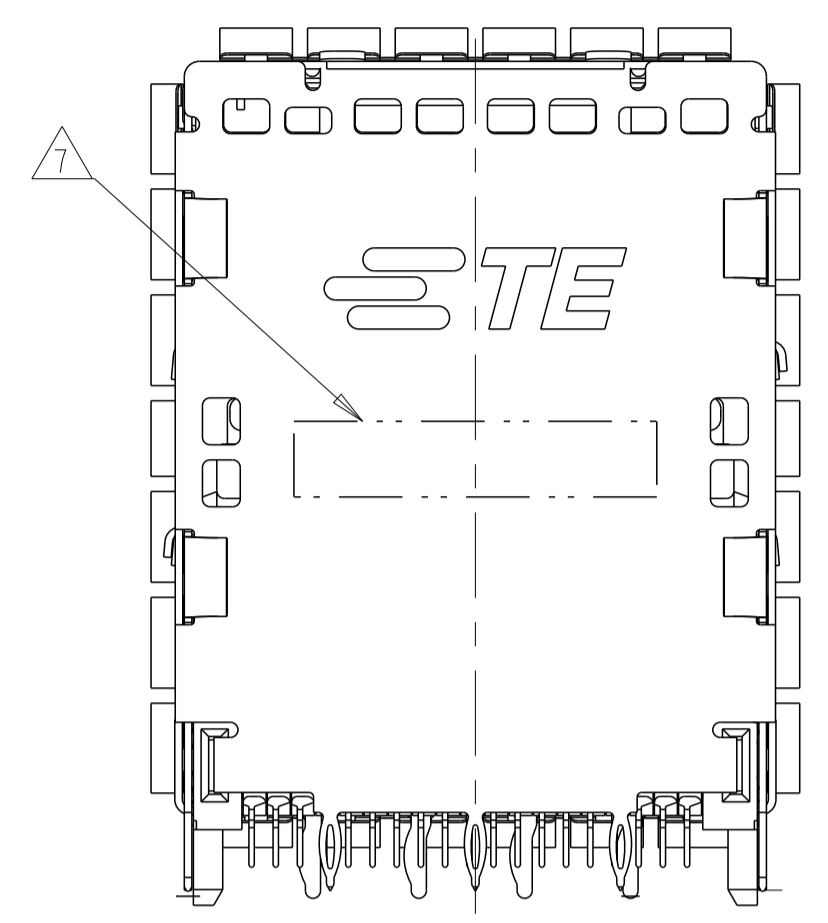
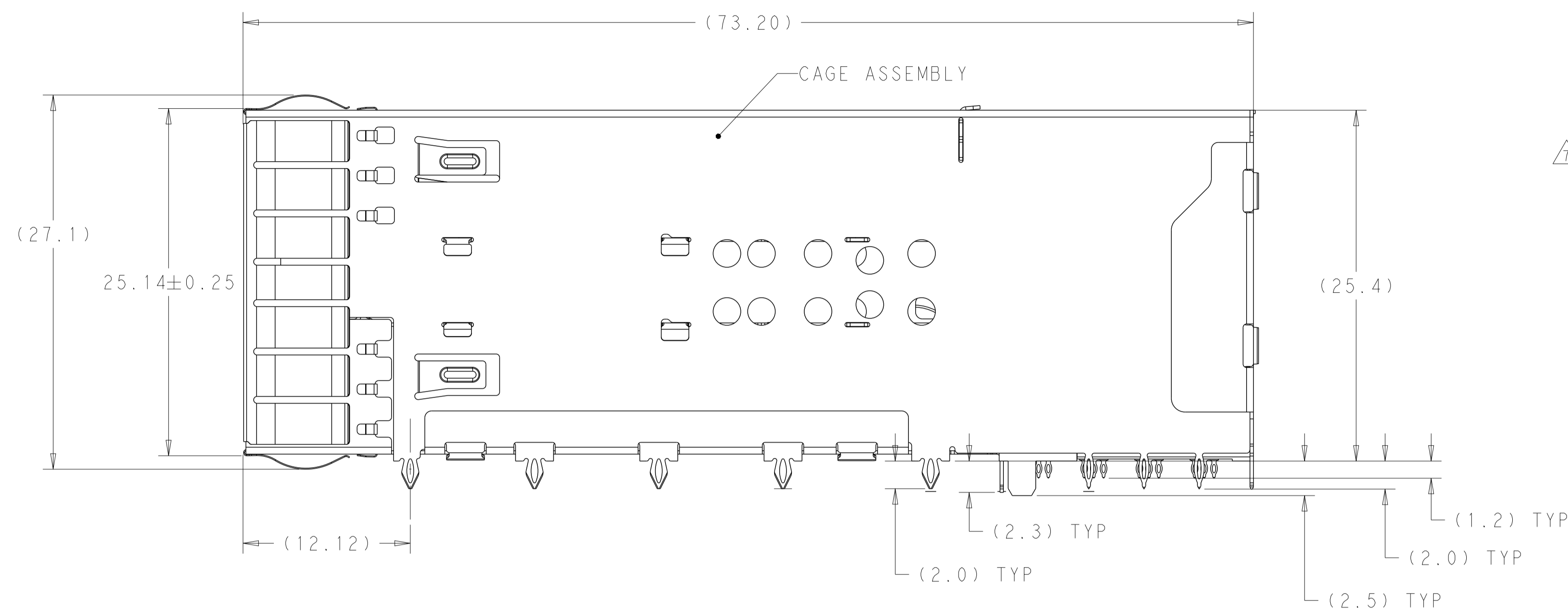
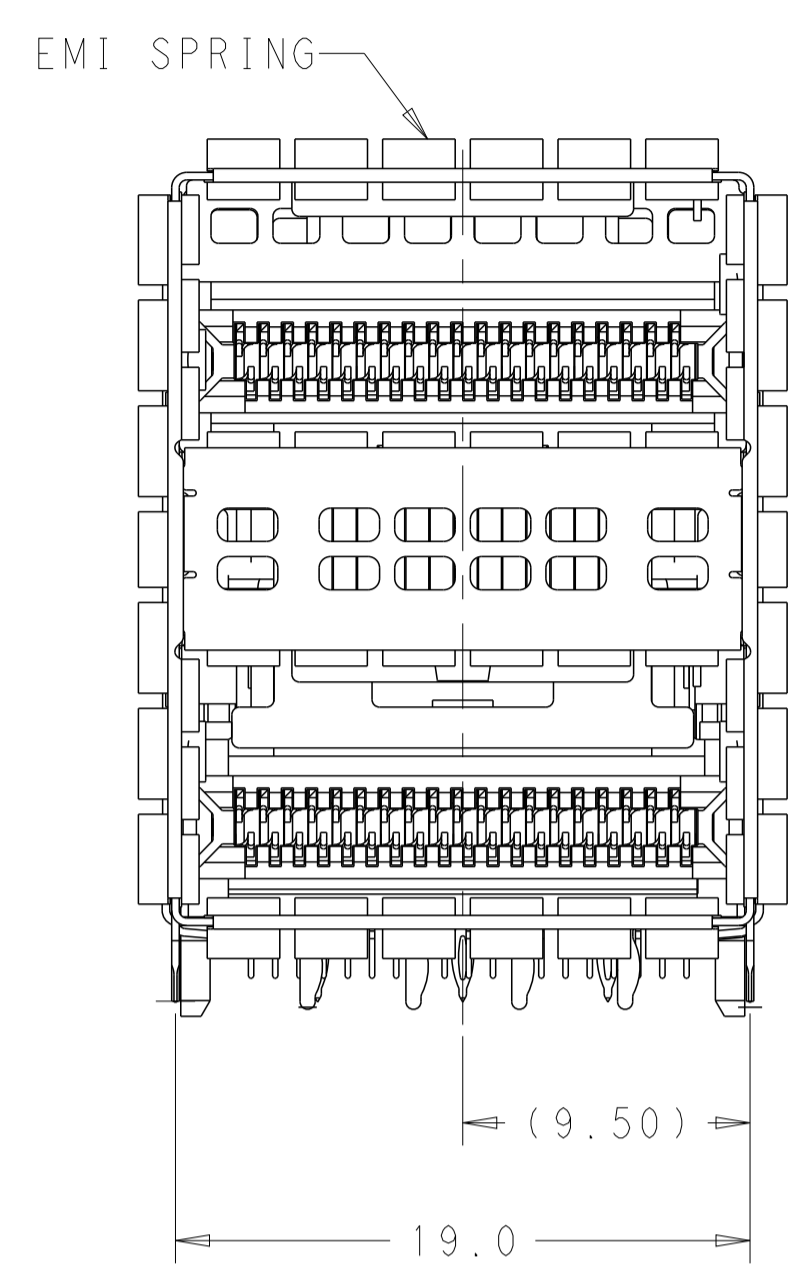


LOC	DIST	REVISIONS			
P	LTN	DESCRIPTION	DATE	DWN	APVD
E		REVISED PER ECR-19-013341	28AUG2019	RM	SH
F		REVISED PER ECR-20-004478	31MAR2020	RM	SH
F1		ADD 2--6	12JUL2022	TP	SZ



- MATERIALS:
 CAGE ASSEMBLY- NICKEL SILVER ALLOY PER ASTM B 122.
 EMI SPRING- COPPER ALLOY, NICKEL PLATED.
 HOUSING- POLYESTER LCP WITH 94V-0.
 CHICKLET- POLYESTER LCP WITH 94V-0.
 CONTACT- COPPER ALLOY.
 LIGHTPIPE- POLYCARBONATE WITH 94V-0.
- ② CONTACT FINISH: 0.76µm GOLD ON MATING END, 0.7-1.5µm MATT TIN ON COMPLIANT AREA, ALL OVER 1.27µm NICKEL.
 - ③ DATUM AND BASIC DIMENSION ESTABLISHED BY CUSTOMER.
 - 4. MINIMUM PCB THICKNESS OF 1.57.
 - ⑤ THE ENTIRE AREA OF THE CONNECTOR FOOTPRINT, INDICATED BY THE DASHED LINE, TO BE CONSIDERED THE KEEPOUT AREA FOR COMPONENTS.
 - ⑥ CROSS-HATCHED AREAS REPRESENT ZONES ON THE PCB THAT COME IN CONTACT WITH OR BE IN CLOSE PROXIMITY TO THE PLASTIC HOUSING OR THE CONNECTOR CAGE. INDICATED AREAS TO BE CONSIDERED TRACE FREE.
 - ⑦ PART NUMBER AND DATE CODE MAKED IN APPROXIMATE AREA SHOWN.
 - ⑧ CONTACT FINISH: 0.08µm MINIMUM GOLD OVER 0.68µm PALLADIUM-NICKEL ON MATING AREA, 0.7-1.5µm MATT TIN ON COMPLIANT AREA, ALL OVER 1.27µm NICKEL.
 - ⑨ HATCHED AREA IS PLACEMENT ZONE FOR LED. LED SHOULD BE CENTERED WITHIN ZONE. RECOMMEND 0805 PACKAGE.
 - ⑩ THE ORDER FOR LED LOACTION,CORRESPONDING TO THE LIGHT PIPES
 - ⑪ LOW Br/Cl AS DEFINED IN TEC-138-702.
 - ⑫ CAGE ASSEMBLY WITH 1.27µm NICKEL PLATED.

②	ALL INDICATOR DOWN, 8LP	2-2227669-6
②	ROUND INDICATOR, 4LP	4-2227669-1
②	LEFT INDICATOR UP	3-2227669-0
②	ROUND INDICATOR, 8LP	2-2227669-5
②	4 UPPER LP	2-2227669-4
②	ROUND INDICATOR, 8LP	2-2227669-3
②	ALL INDICATOR DOWN, 8LP	2-2227669-2
②	ROUND INDICATOR, 8LP	2-2227669-1
②	LEFT INDICATOR UP	2-2227669-0
②	LEFT INDICATOR DOWN, 4LP	1-2227669-9
②	ALL INDICATOR UP, 4LP	1-2227669-7
②	ROUND INDICATOR, 4LP	1-2227669-1
②	ALL INDICATOR DOWN, 4LP	1-2227669-0
②	LEFT INDICATOR DOWN, 4LP	2227669-9
②	LEFT INDICATOR UP, 4LP	2227669-8
②	ALL INDICATOR UP, 4LP	2227669-7
⑧	LEFT INDICATOR DOWN	2227669-6
⑧	LEFT INDICATOR UP	2227669-5
⑧	NO LIGHT PIPE	2227669-4
②	LEFT INDICATOR DOWN	2227669-3
②	LEFT INDICATOR UP	2227669-2
②	NO LIGHTPIPE	2227669-1
CONTACT FINISH	DESCRIPTION	PART NUMBER

THIS DRAWING IS A CONTROLLED DOCUMENT. DWN: M. SHIRK 16JAN2013, CHK: D. SZCZESNY 16JAN2013, APVD: -

DIMENSIONS: mm. TOLERANCES UNLESS OTHERWISE SPECIFIED: 0 PLC ±, 1 PLC ±0.25, 2 PLC ±0.15, 3 PLC ±, 4 PLC ±, ANGLES ±.

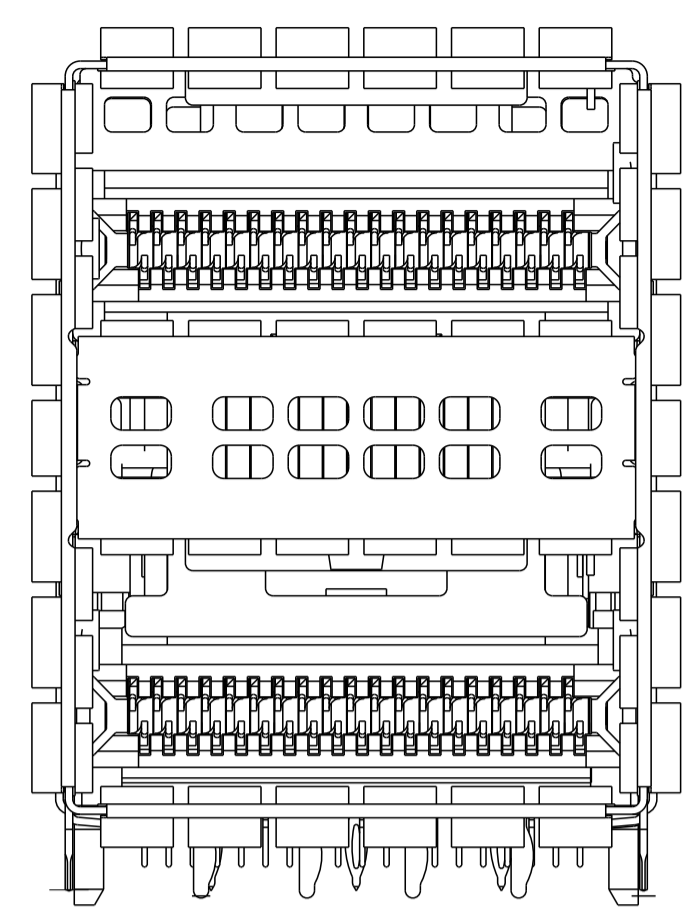
MATERIAL: SEE NOTE 1. FINISH: -

PRODUCT SPEC: 108-60102. APPLICATION SPEC: 114-60015. WEIGHT: -

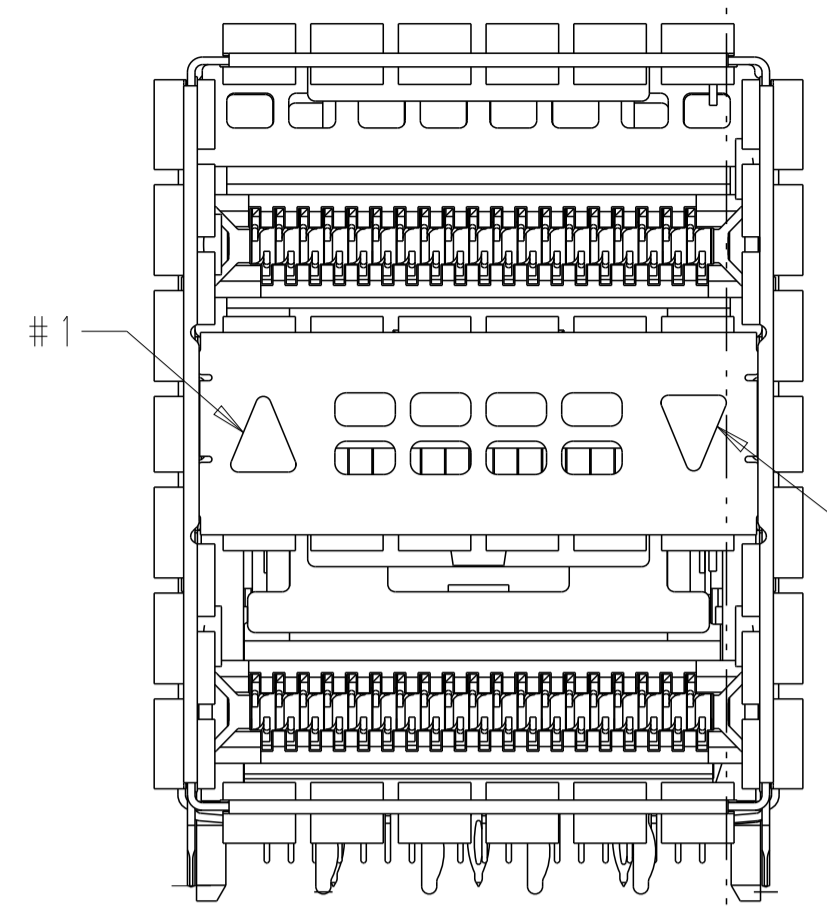
CUSTOMER DRAWING. SCALE: 1:1. SHEET 1 OF 8. REV F1.

STE TE Connectivity. CAGE AND CONNECTOR ASSEMBLY, WITH EMI SPRING FINGERS, THRU BEZEL, 2X1, ZOSFP+ STACKED. SIZE: A1. CAGE CODE: 100779. DRAWING NO: 2227669.

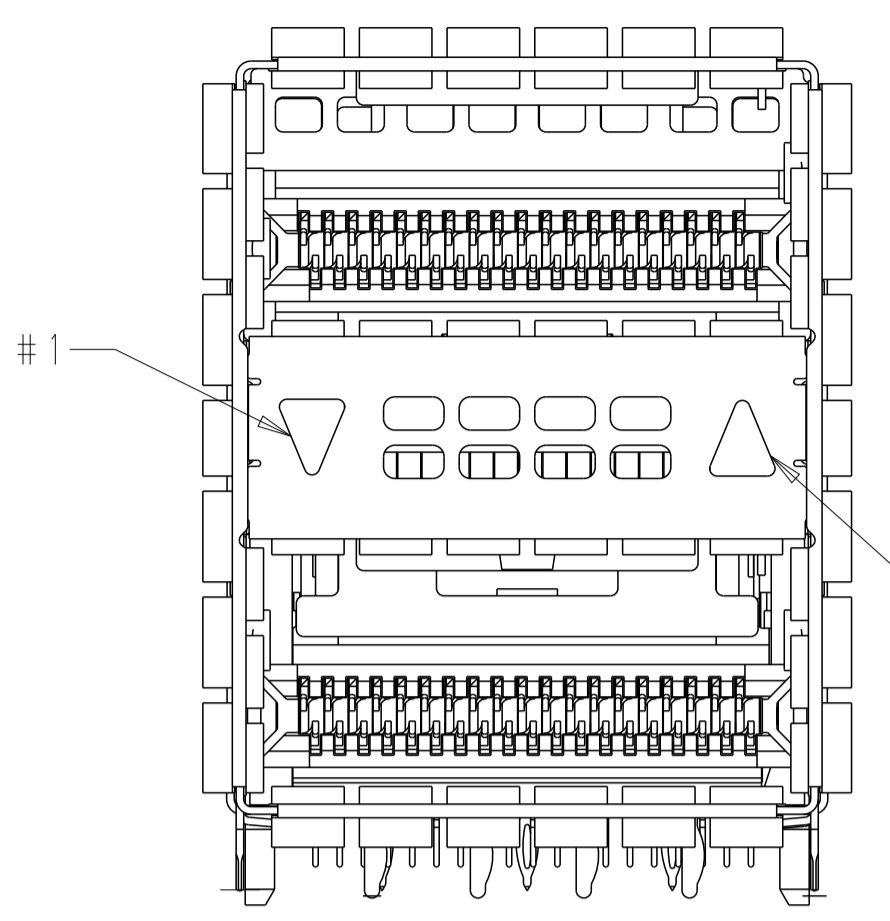
LOC		DIST		REVISIONS			
GP	00	P	LYN	DESCRIPTION	DATE	OWN	APVD
		-		SEE SHEET 1			



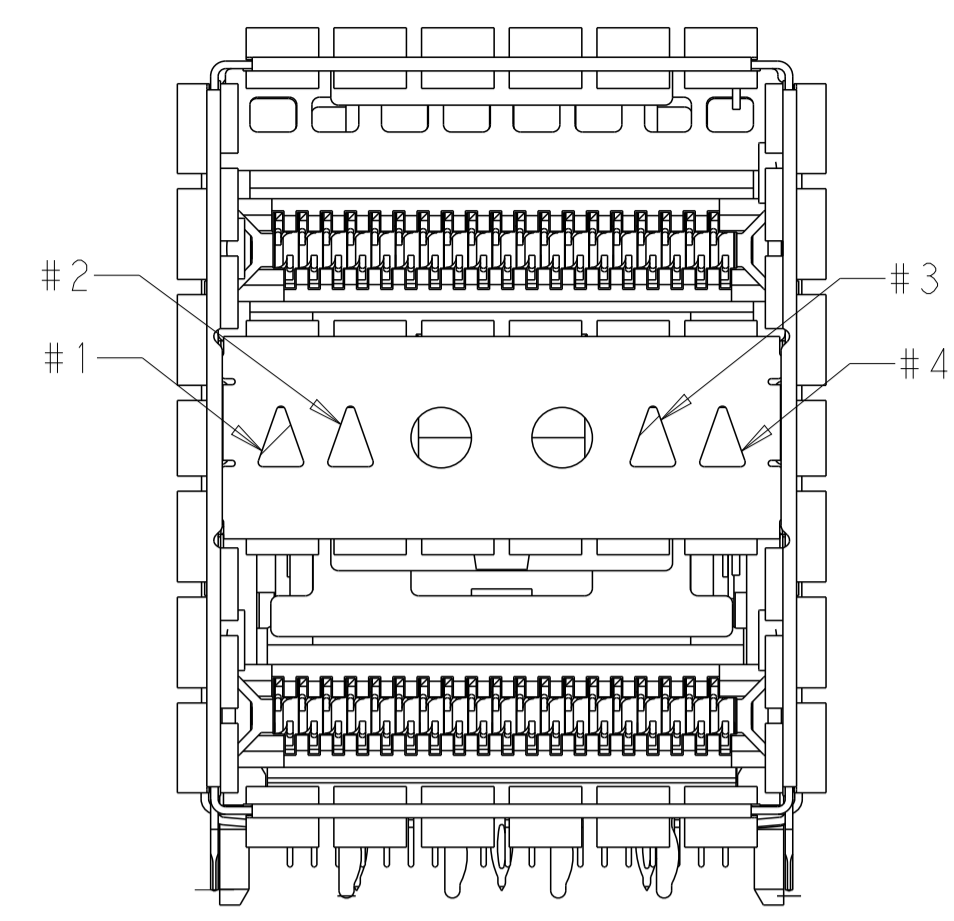
2227669-1
 2227669-4
 NO LIGHTPIPE IN ASSEMBLY



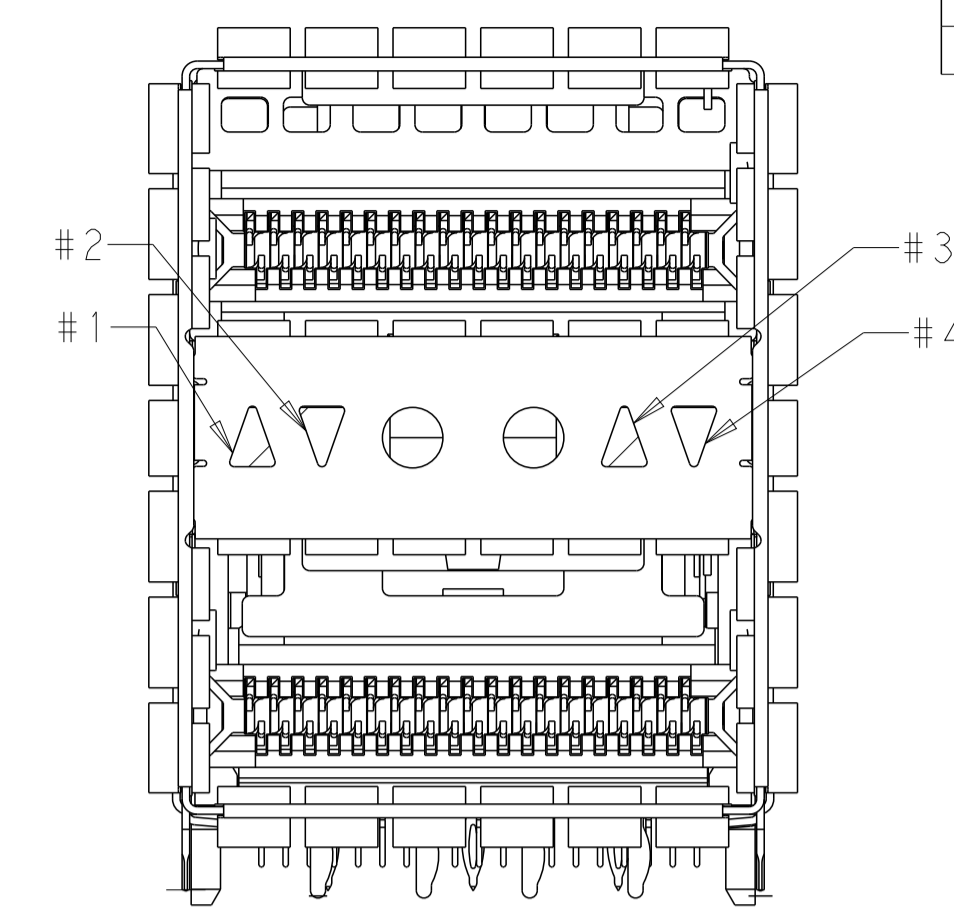
2227669-2
 2227669-5
 LEFT INDICATOR UP



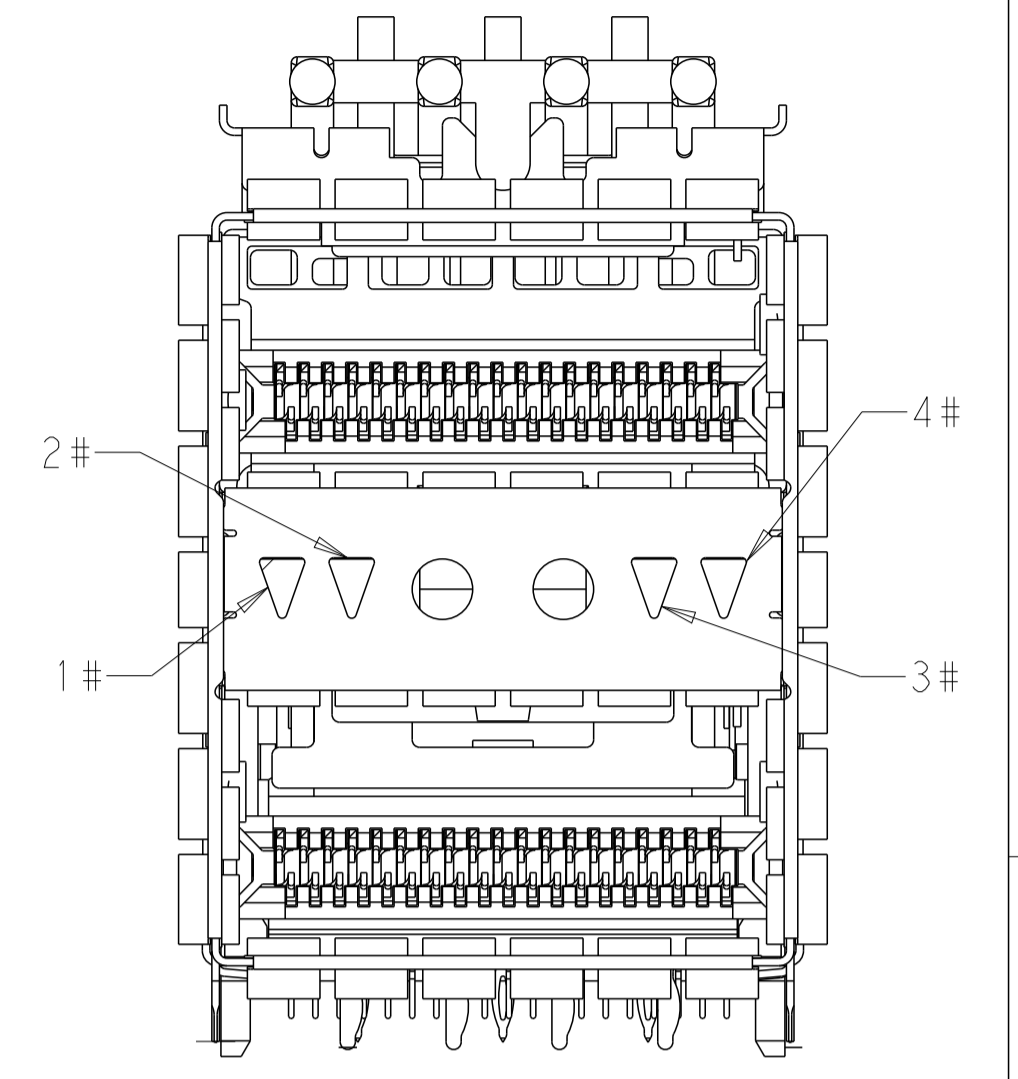
2227669-3
 2227669-6
 LEFT INDICATOR DOWN



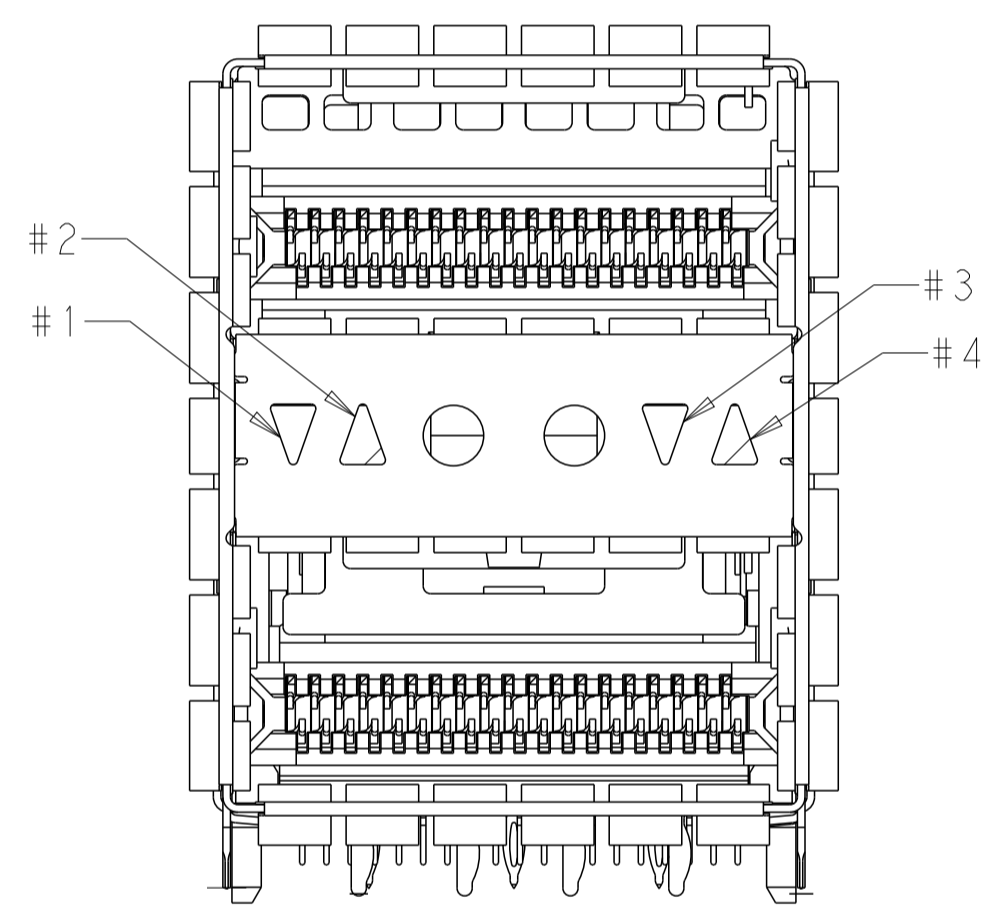
2227669-7
 1-2227669-7
 ALL INDICATOR UP, 4LP



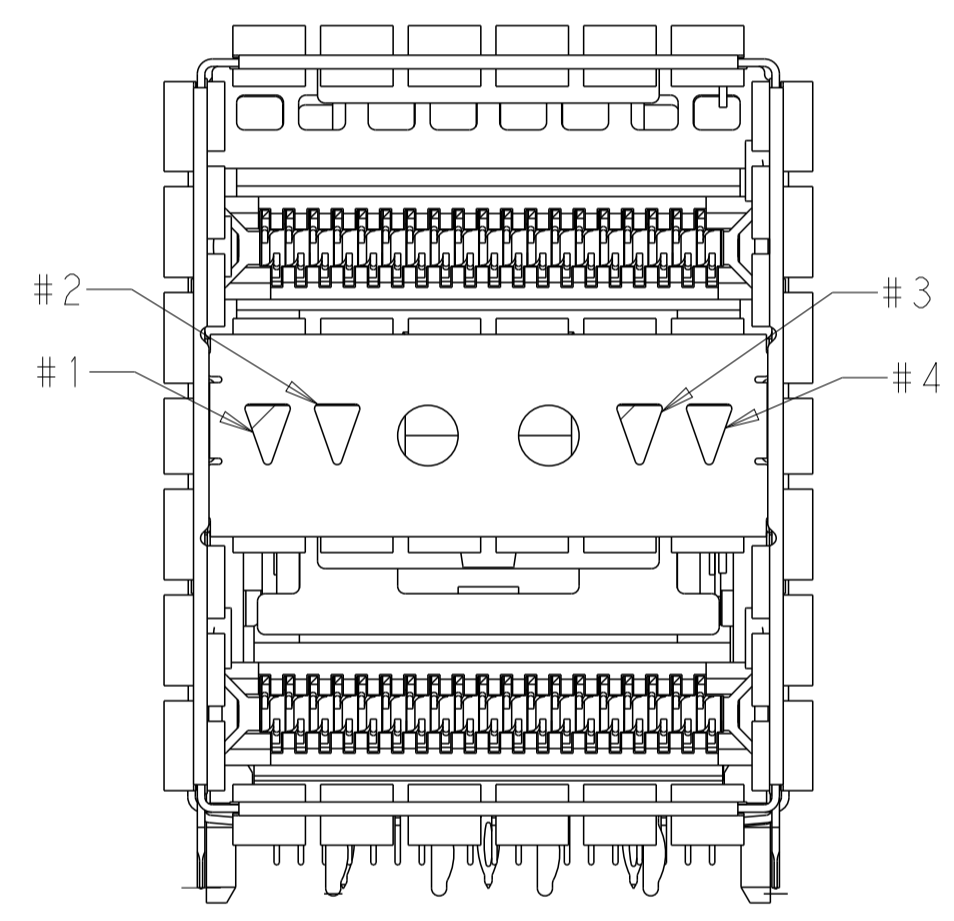
2227669-8
 LEFT INDICATOR UP, 4LP



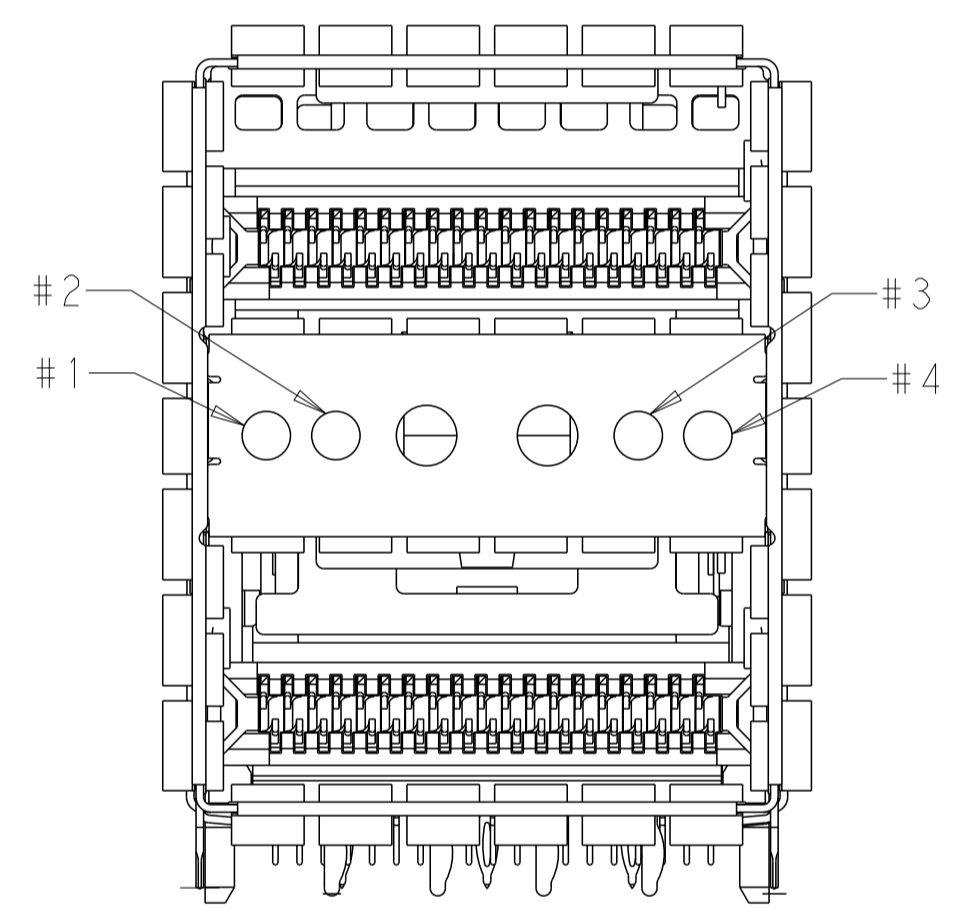
2-2227669-2
 2-2227669-6
 ALL INDICATOR DOWN, 8LP



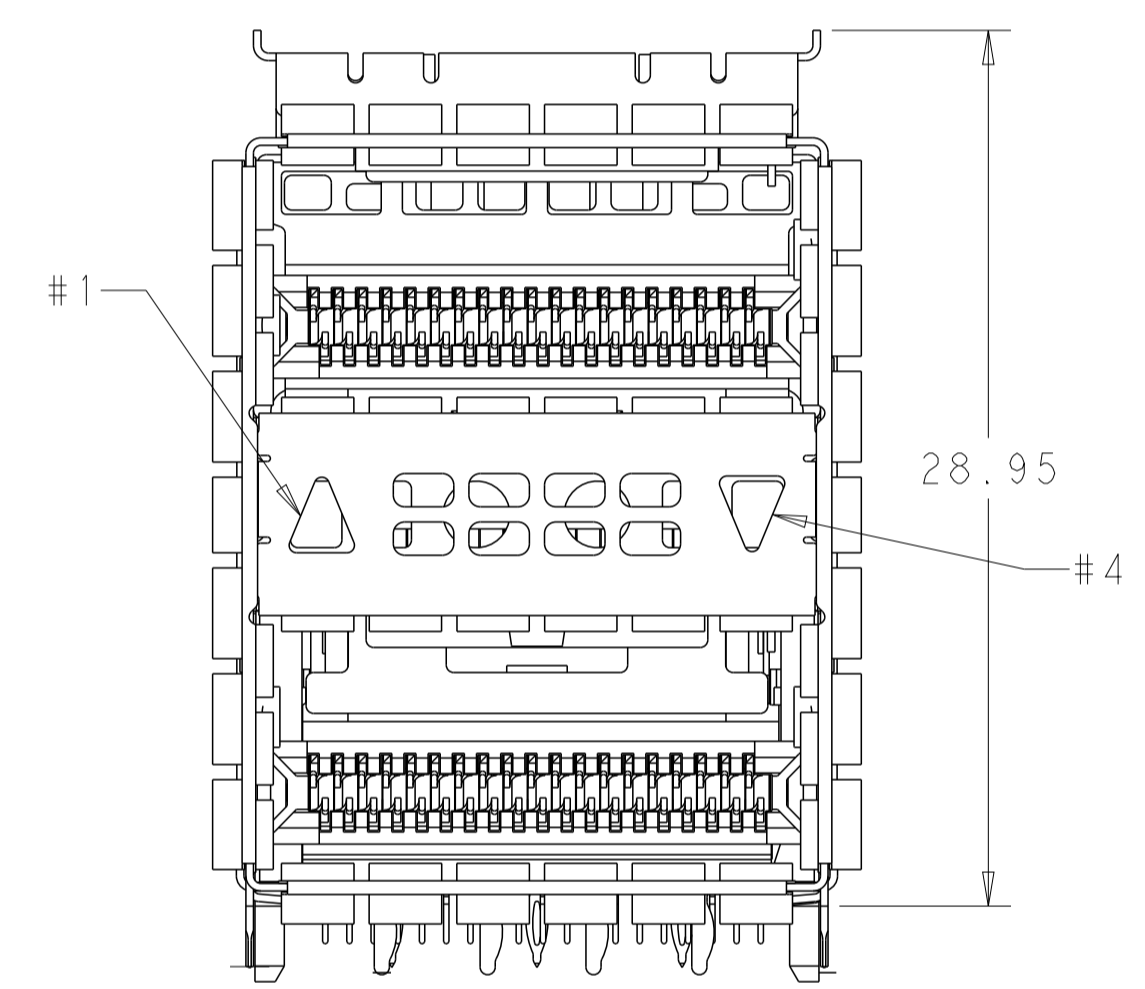
2227669-9
 1-2227669-9
 LEFT INDICATOR DOWN, 4LP



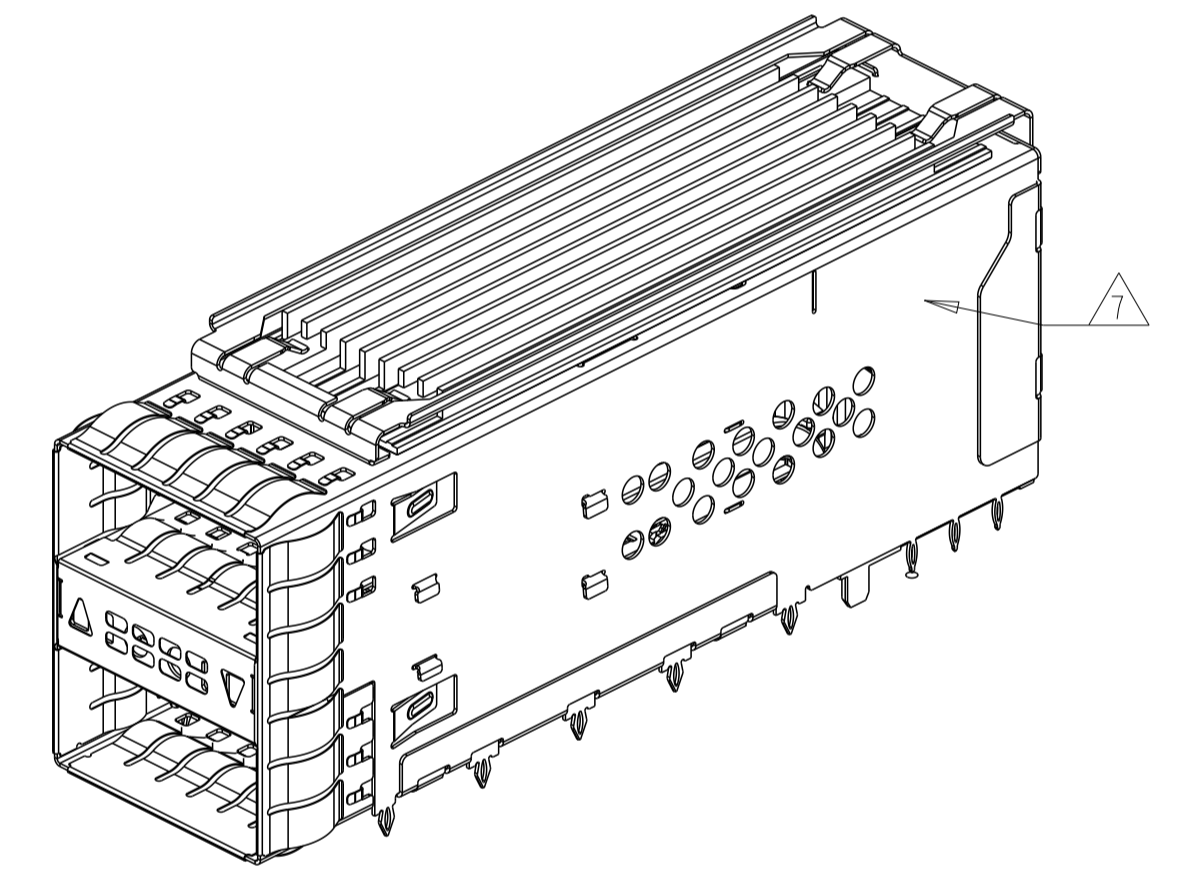
1-2227669-0
 ALL INDICATOR DOWN, 4LP



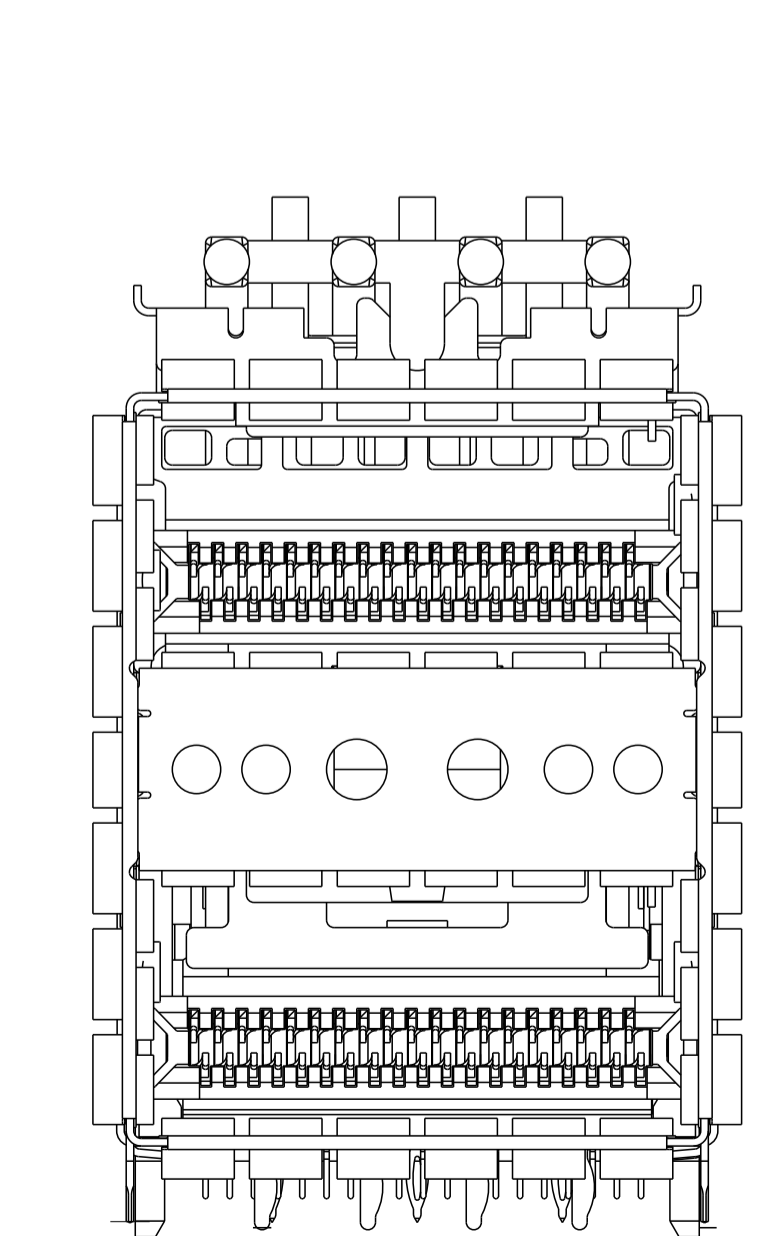
1-2227669-1
 4-2227669-1
 ROUND SHAPE INDICATORS, 4LP



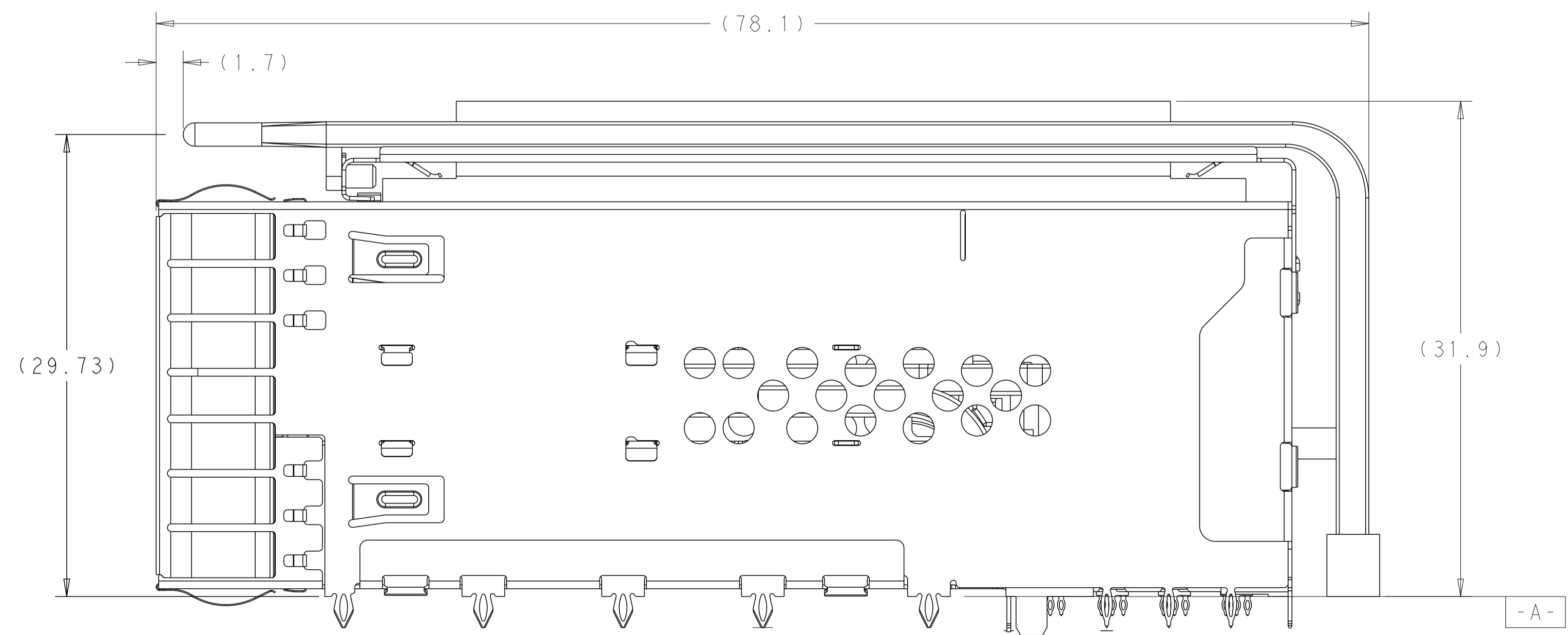
2-2227669-0
 LEFT INDICATOR UP
 SCALE 4:1



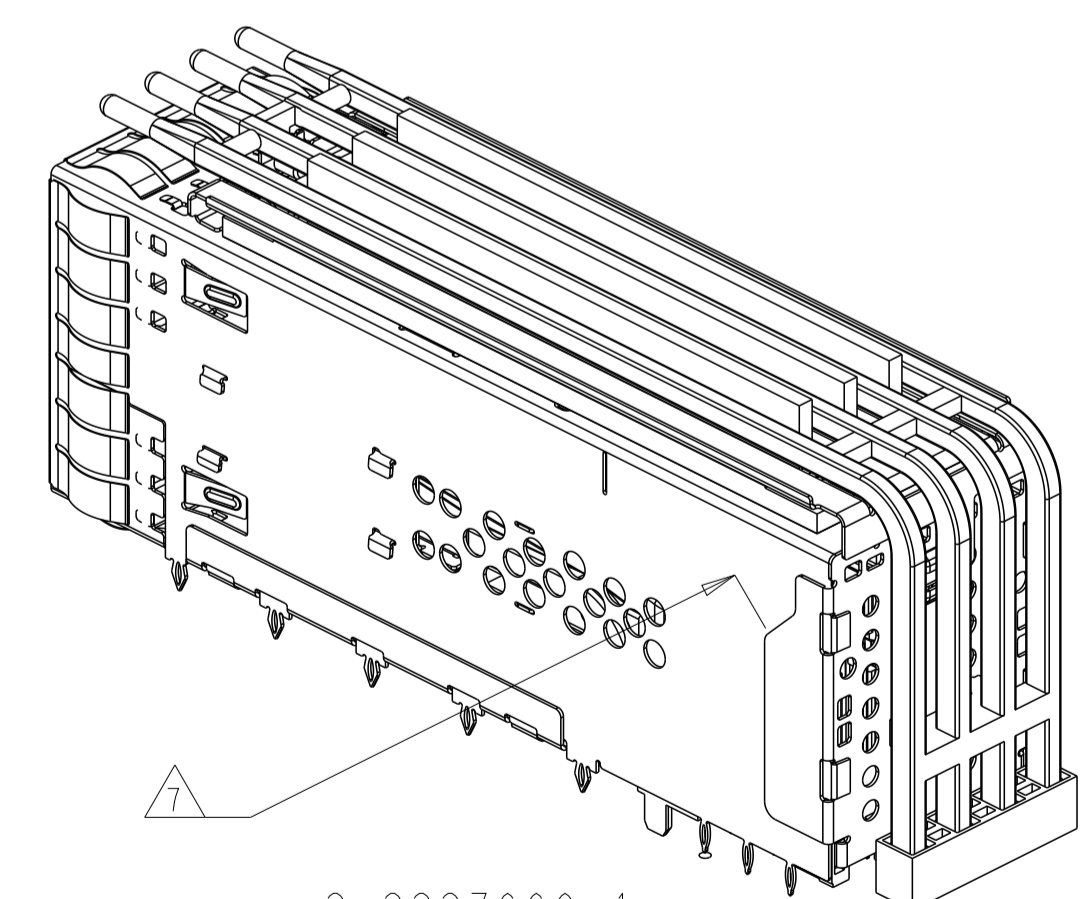
2-2227669-0
 SCALE 2:1



2-2227669-1
 ALL ROUND INDICATORS, 8LP
 SCALE 4:1



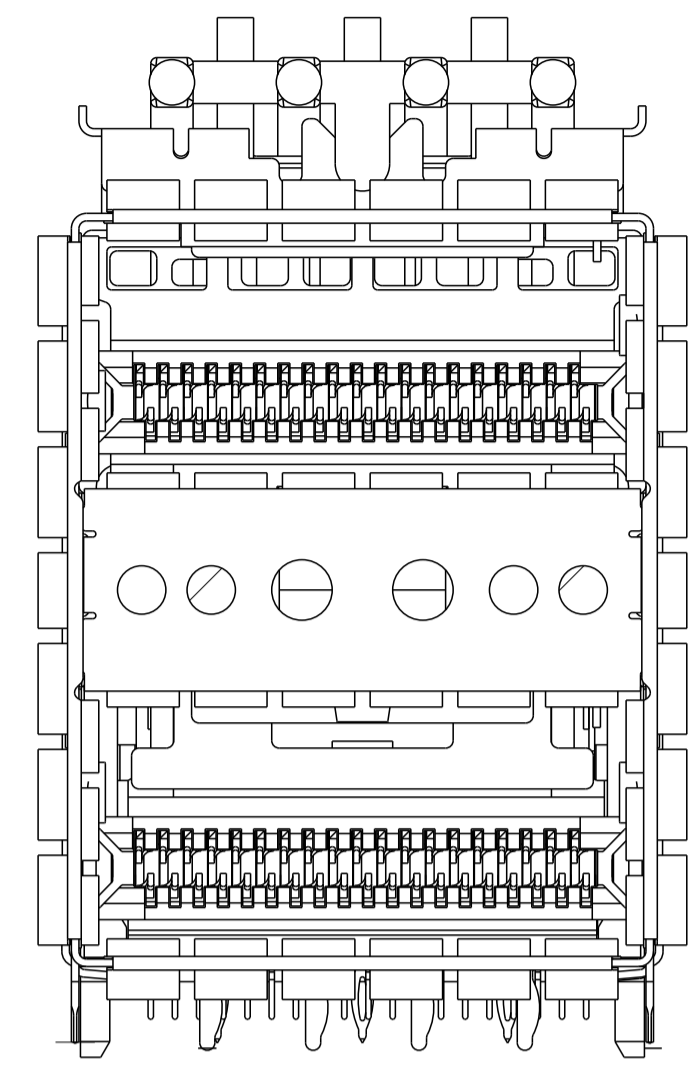
2-2227669-1
 2-2227669-2



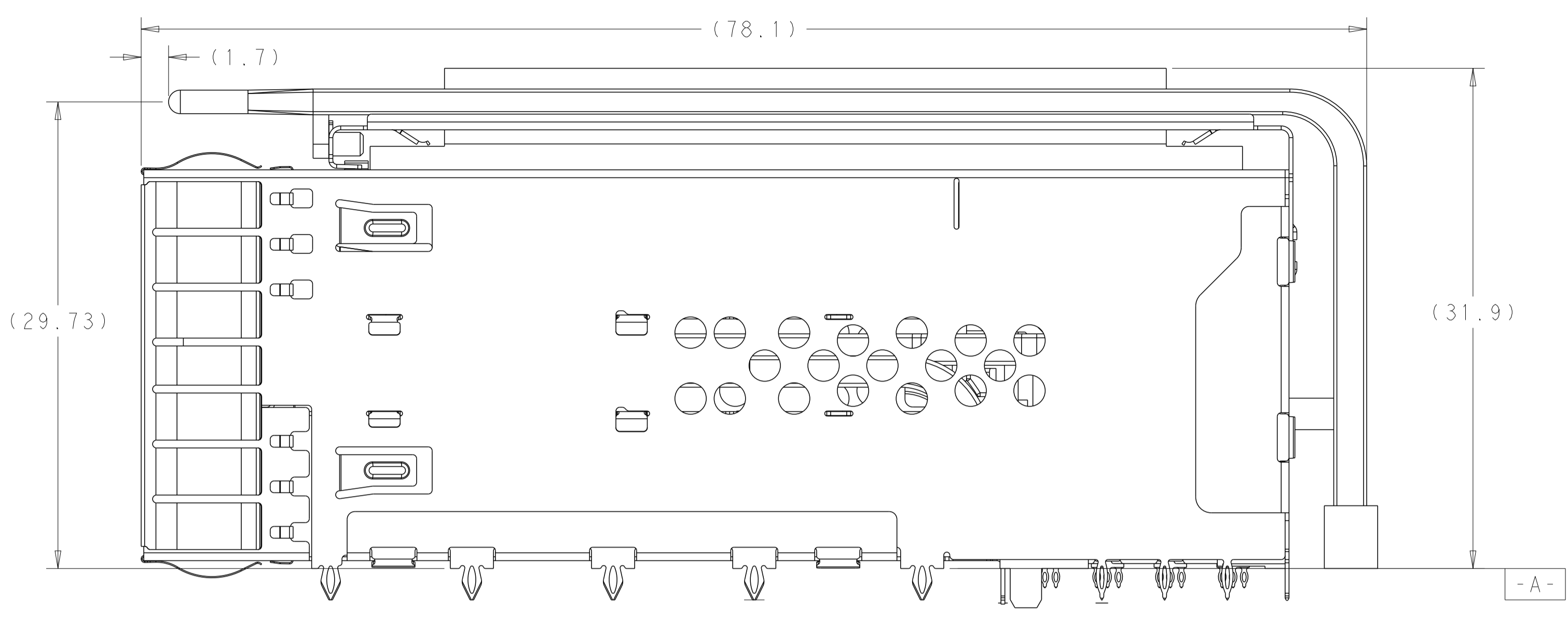
2-2227669-1
 2-2227669-2
 SCALE 2:1

THIS DRAWING IS A CONTROLLED DOCUMENT.		OWN: M. SHIRK 16JAN2013	TE Connectivity
DIMENSIONS: mm		CHK: D. SZCZESNY 16JAN2013	
TOLERANCES UNLESS OTHERWISE SPECIFIED:		APVD: -	NAME: CAGE AND CONNECTOR ASSEMBLY, WITH EMI SPRING FINGERS, THRU BEZEL, 2X1, ZOSFP+ STACKED
0 PLC ±		PRODUCT SPEC	RESTRICTED TO
1 PLC ±0.25		108-60102	
2 PLC ±0.15		APPLICATION SPEC	
3 PLC ±		114-60015	
4 PLC ±		WEIGHT	
ANGLES ±		A100779C=2227669	
FINISH		CUSTOMER DRAWING	
SEE NOTE 1		SCALE 1:1	SHEET 2 OF 8 REV F1

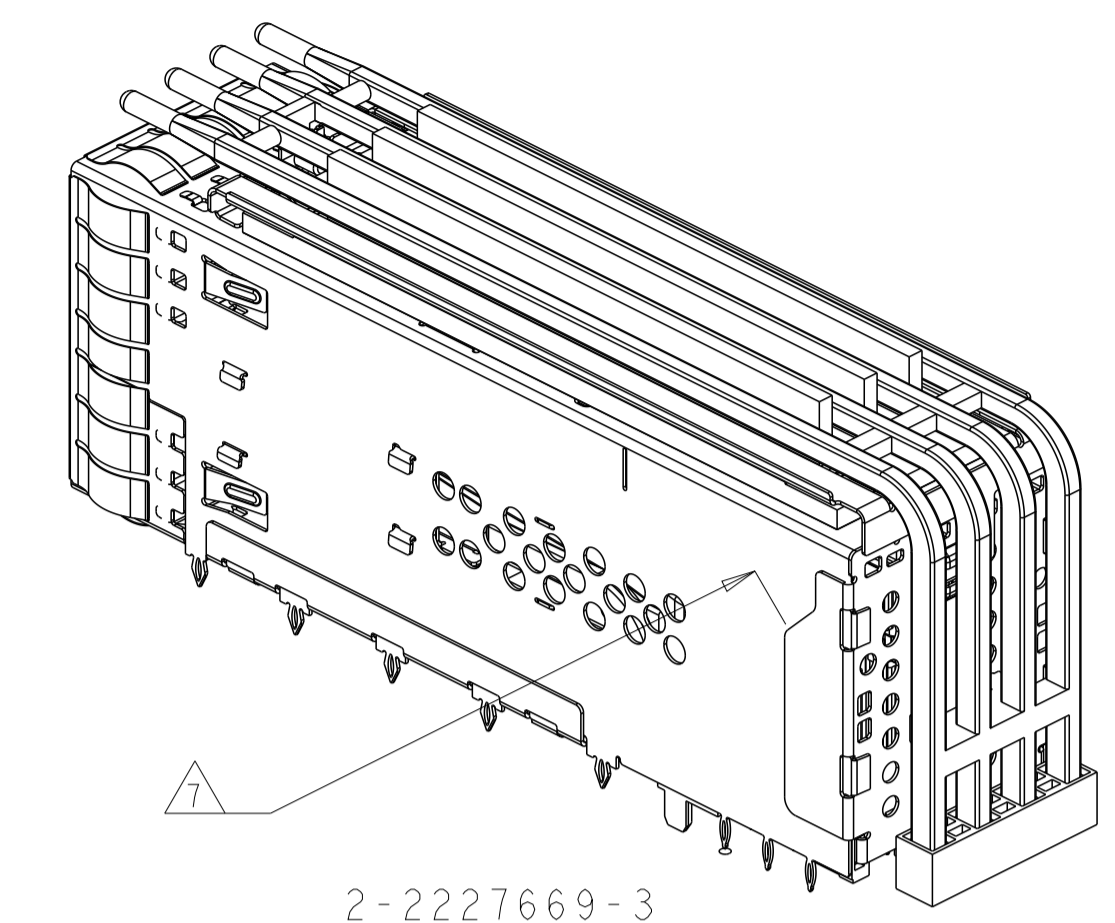
LOC	DIST	REVISIONS			
P	LTN	DESCRIPTION	DATE	DMN	APVD
-	-	SEE SHEET 1	-	-	-



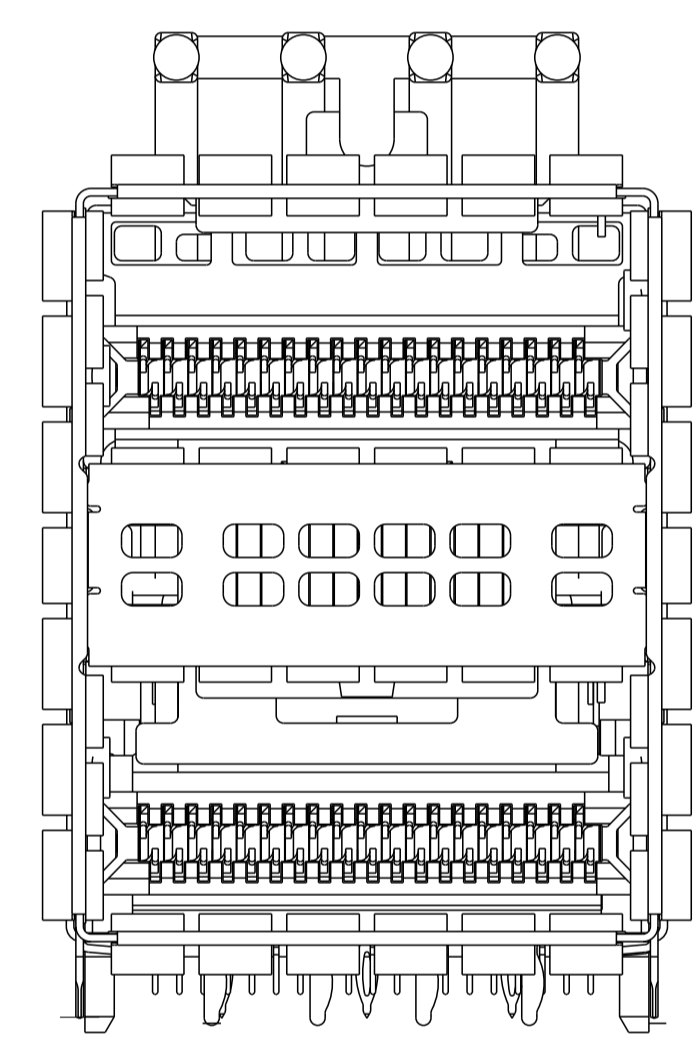
2-2227669-3
 ALL ROUND INDICATORS, 8LP
 SCALE 4:1



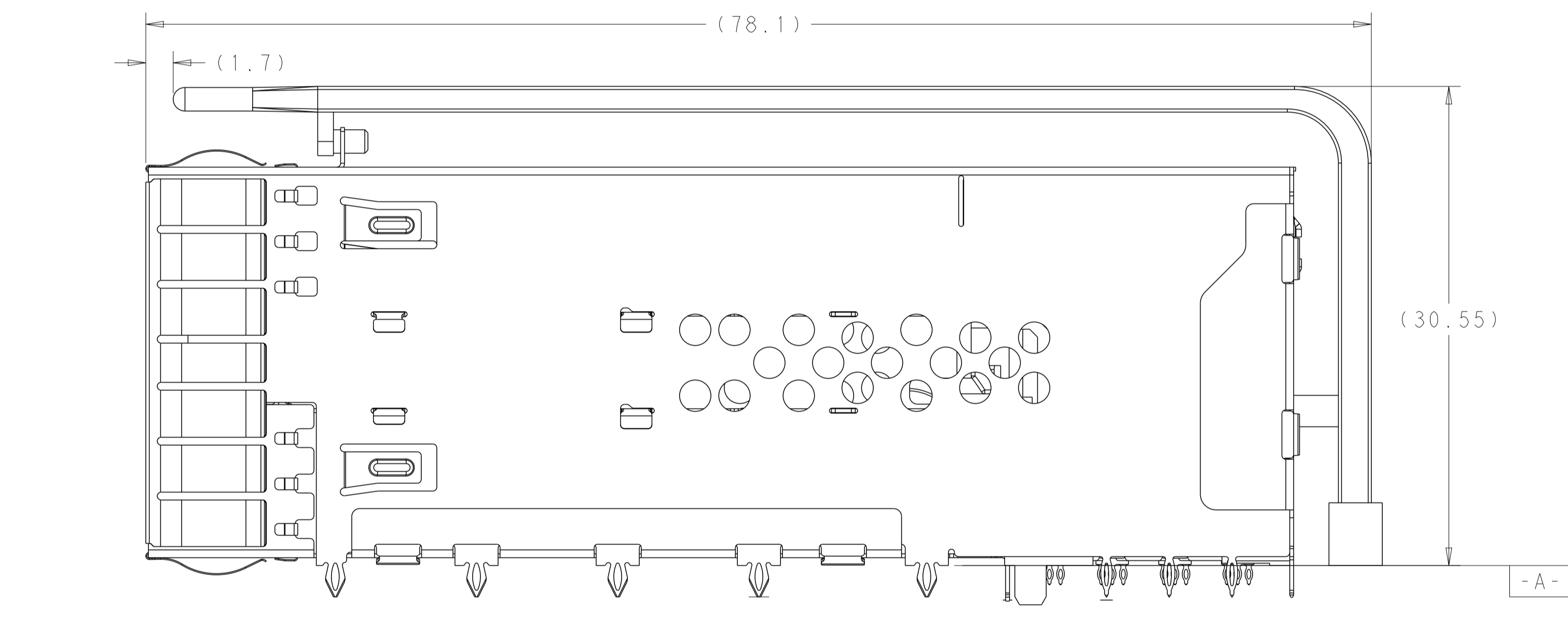
2-2227669-3



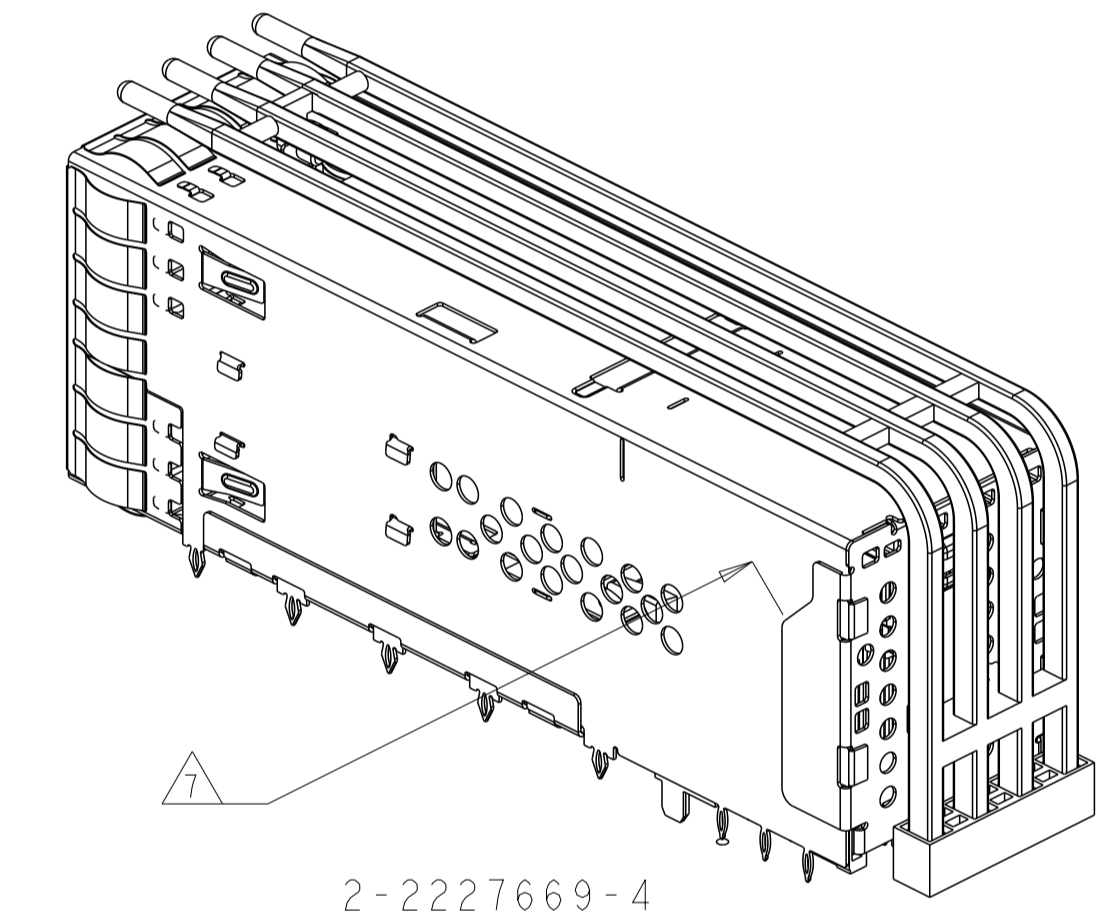
2-2227669-3
 SCALE 2:1



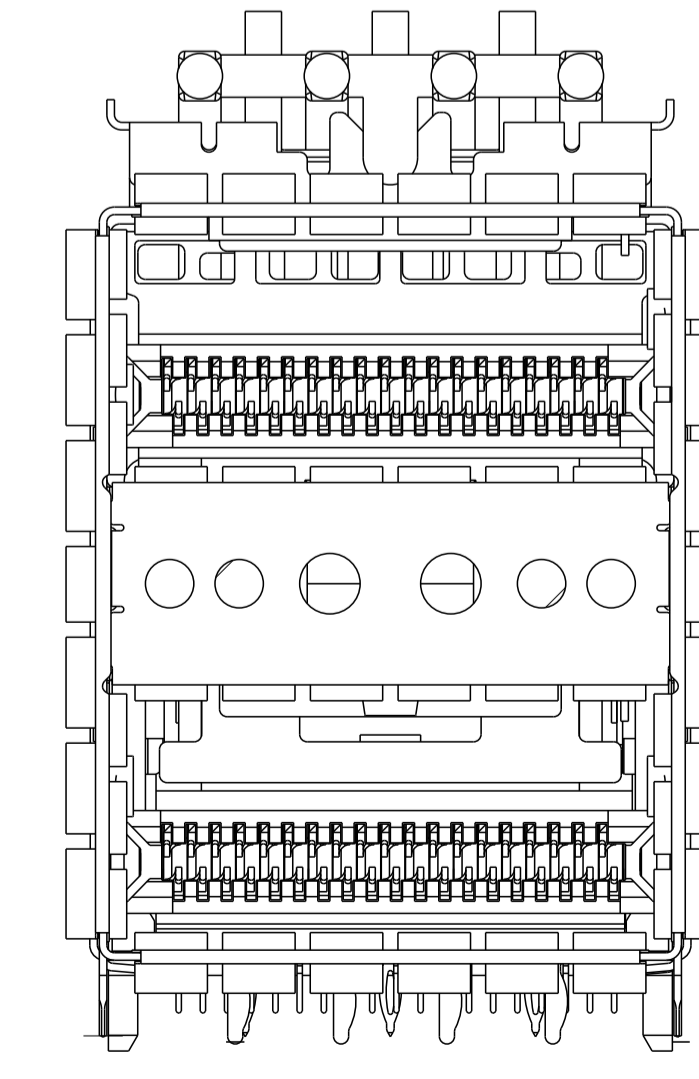
2-2227669-4
 4 UPPER LP
 SCALE 4:1



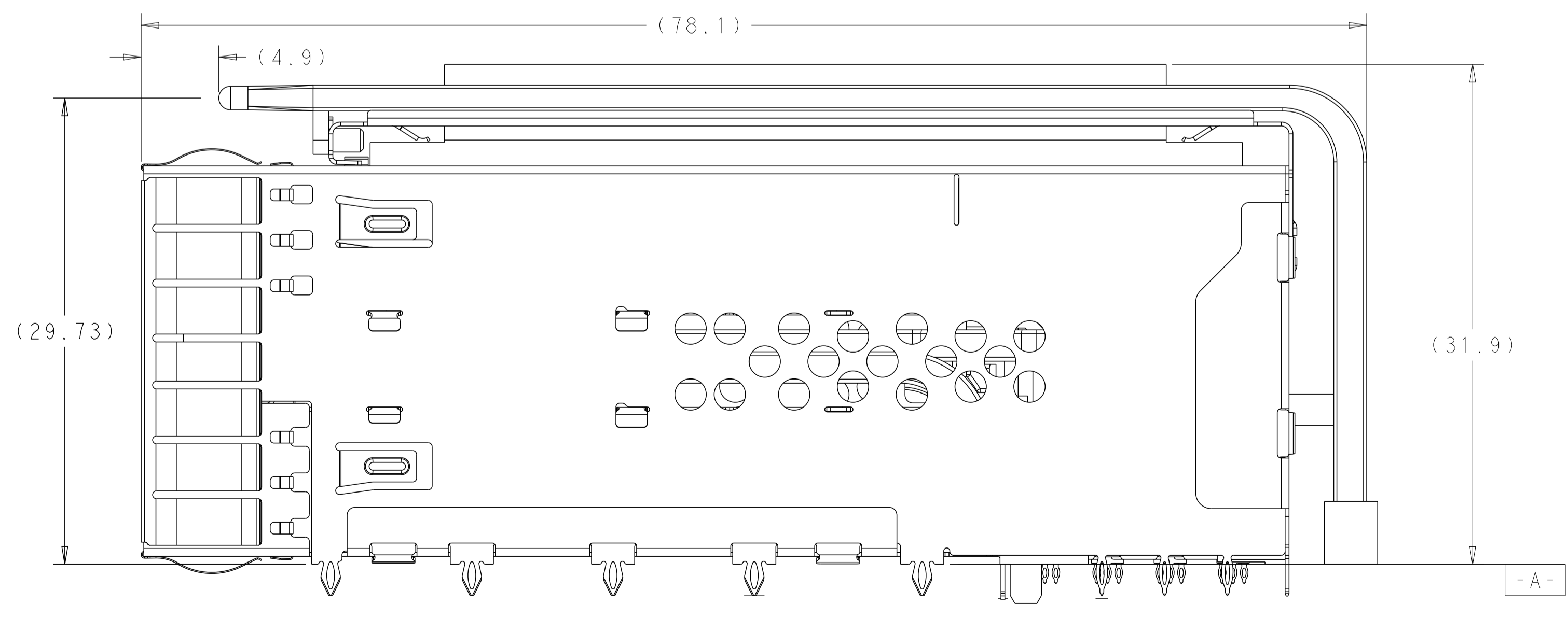
2-2227669-4



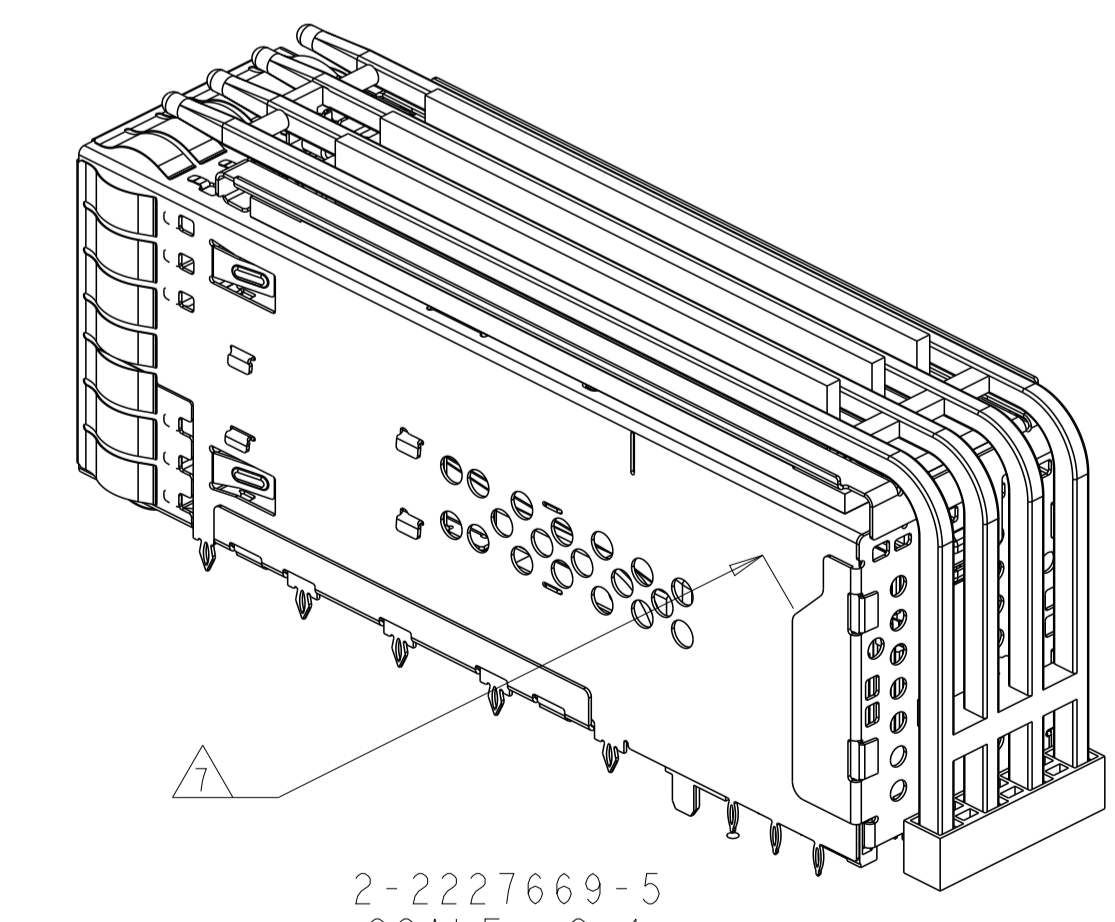
2-2227669-4
 SCALE 2:1



2-2227669-5
 ALL ROUND INDICATORS, 8LP
 SCALE 4:1



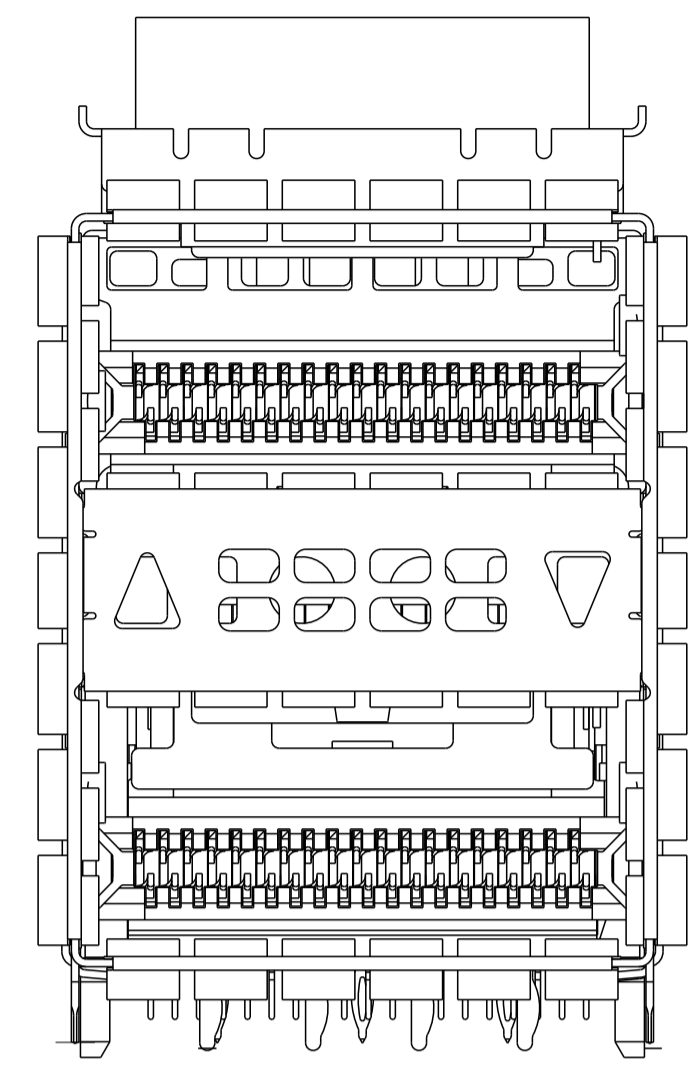
2-2227669-5



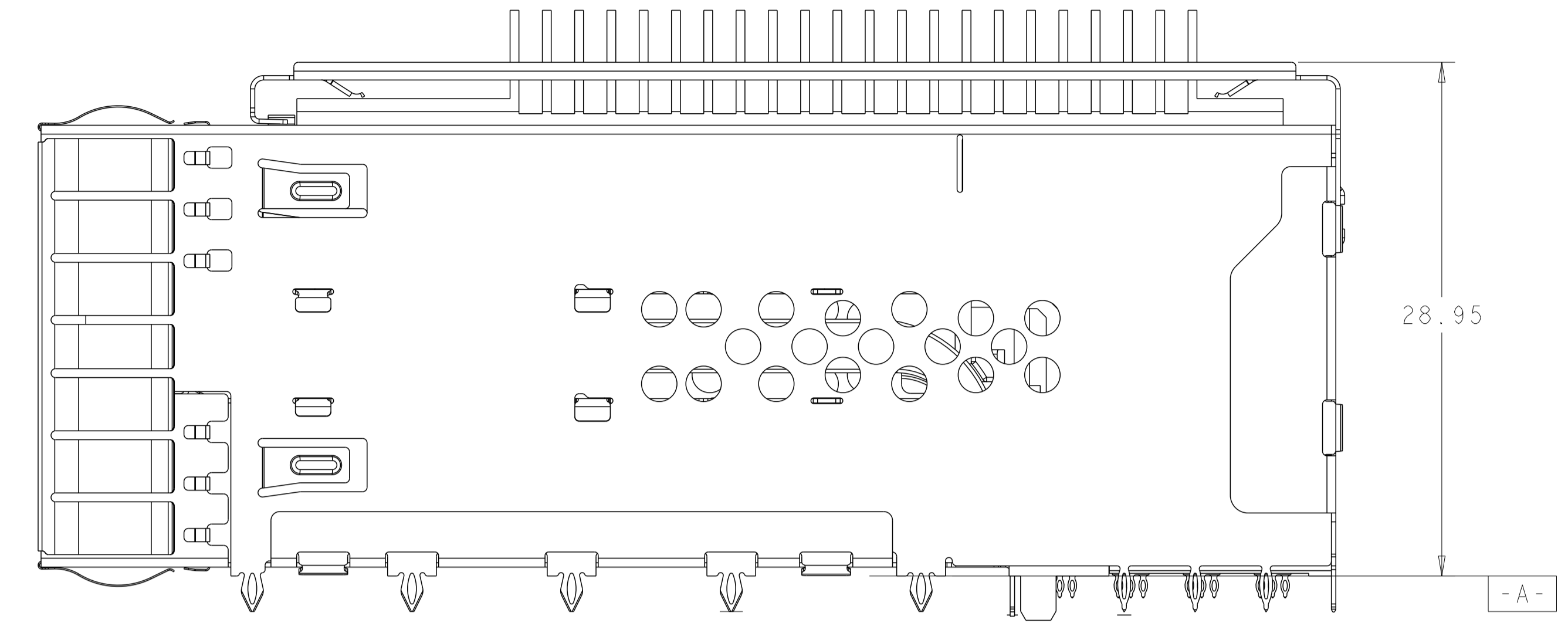
2-2227669-5
 SCALE 2:1

THIS DRAWING IS A CONTROLLED DOCUMENT.		DMN: M. SHIRK 16JAN2013	
DIMENSIONS:		CHK: D. SZCZESNY 16JAN2013	
mm	0 PLC ±	APVD: -	NAME: -
	1 PLC ±0.25	PRODUCT SPEC: -	
	2 PLC ±0.15	108-60102	
	3 PLC ±	APPLICATION SPEC: -	
	4 PLC ±	114-60015	
	ANGLES ±	WEIGHT: -	
	FINISH ±	A100779C=2227669	
MATERIAL: SEE NOTE 1		CUSTOMER DRAWING	
		SIZE: A1	RESTRICTED TO: -
		CAGE CODE: 100779	DRAWING NO: 2227669
		SCALE: 1:1	SHEET 3 OF 8
			REV: F1

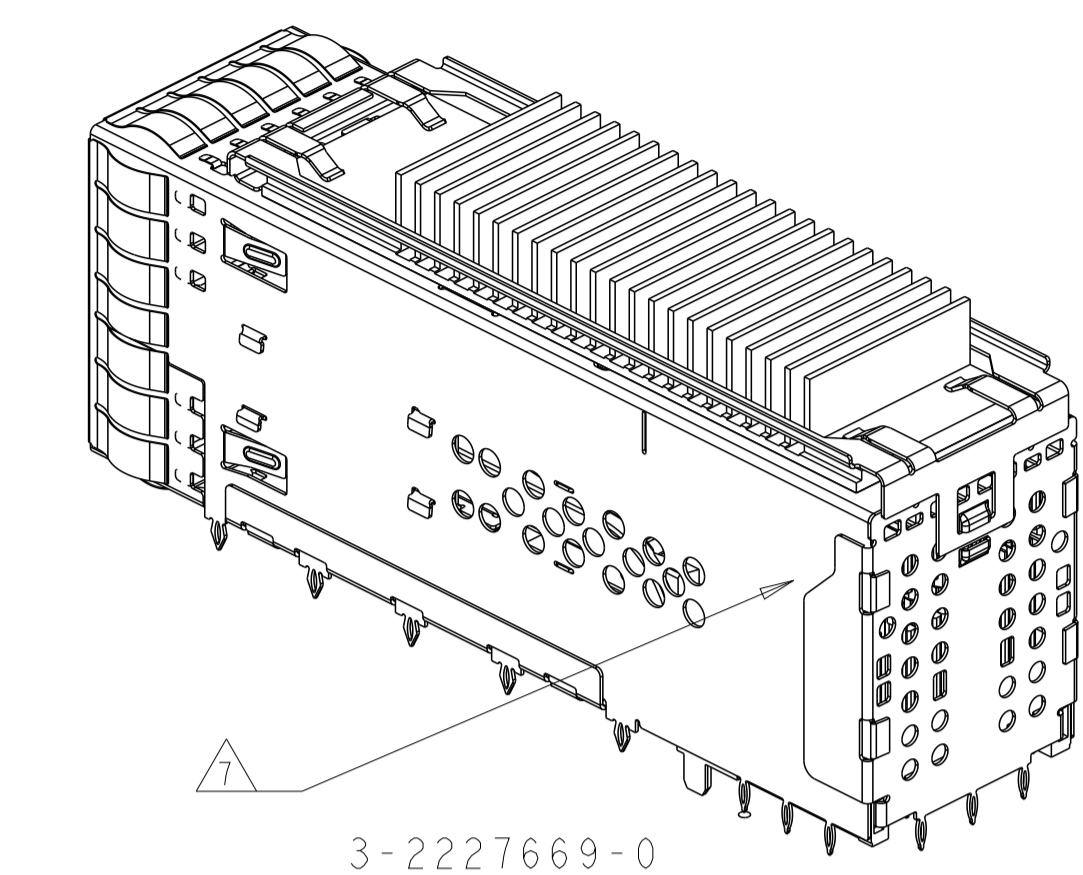
LOC	DIST	REVISIONS					
GP	00	P	LTN	DESCRIPTION	DATE	DWN	APVD
-	-	-	-	SEE SHEET 1	-	-	-



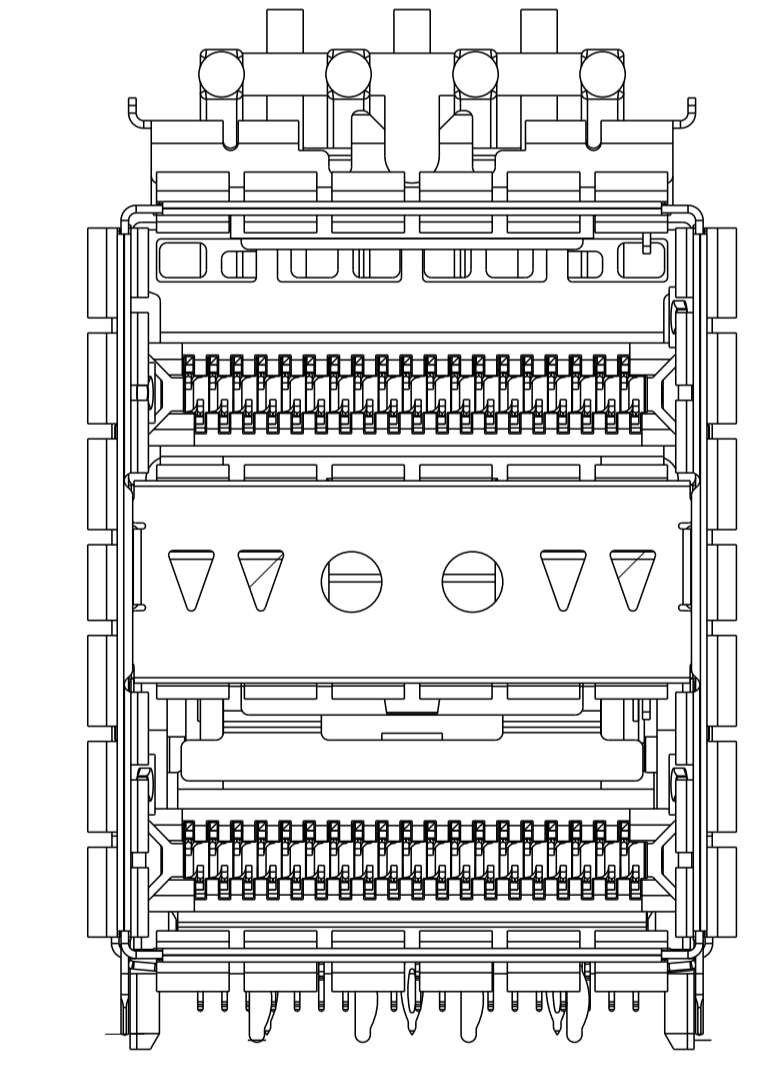
3-2227669-0
LEFT INDICATOR UP
SCALE 4:1



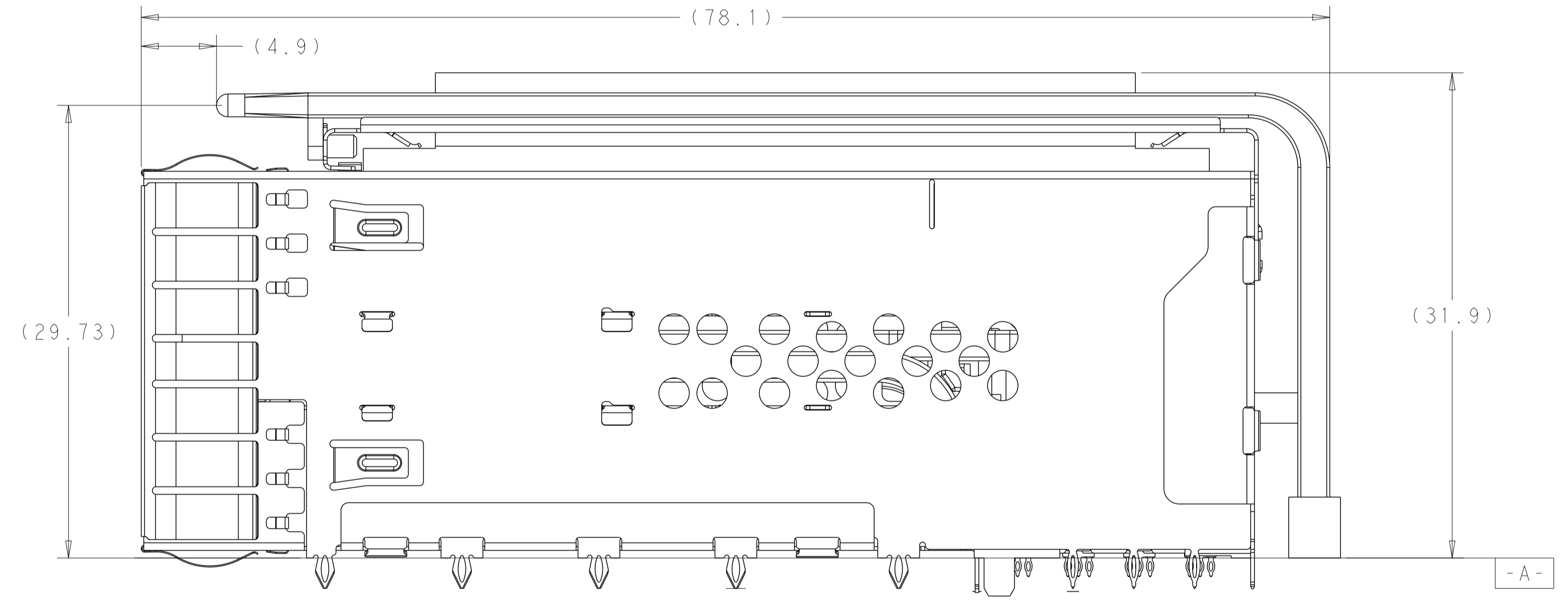
3-2227669-0



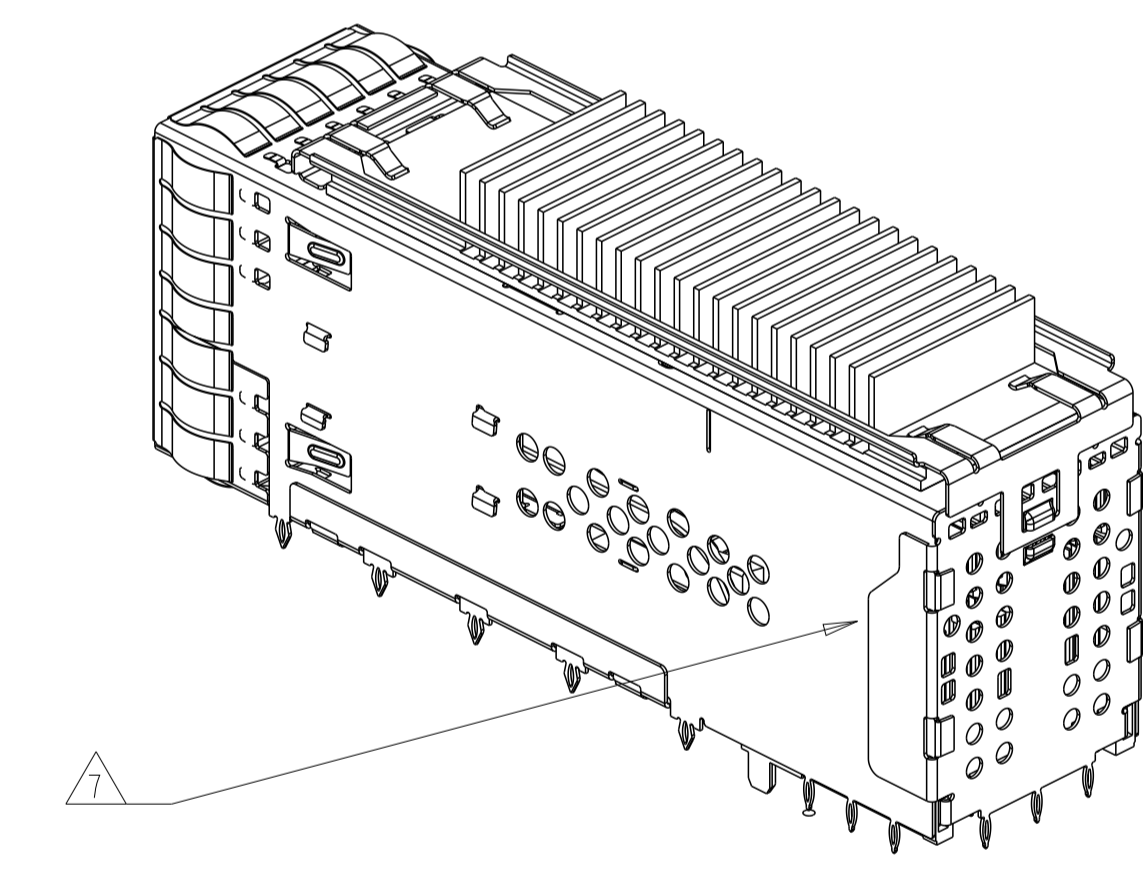
3-2227669-0
SCALE 2:1



2-2227669-6
ALL INDICATOR DOWN, 8LP



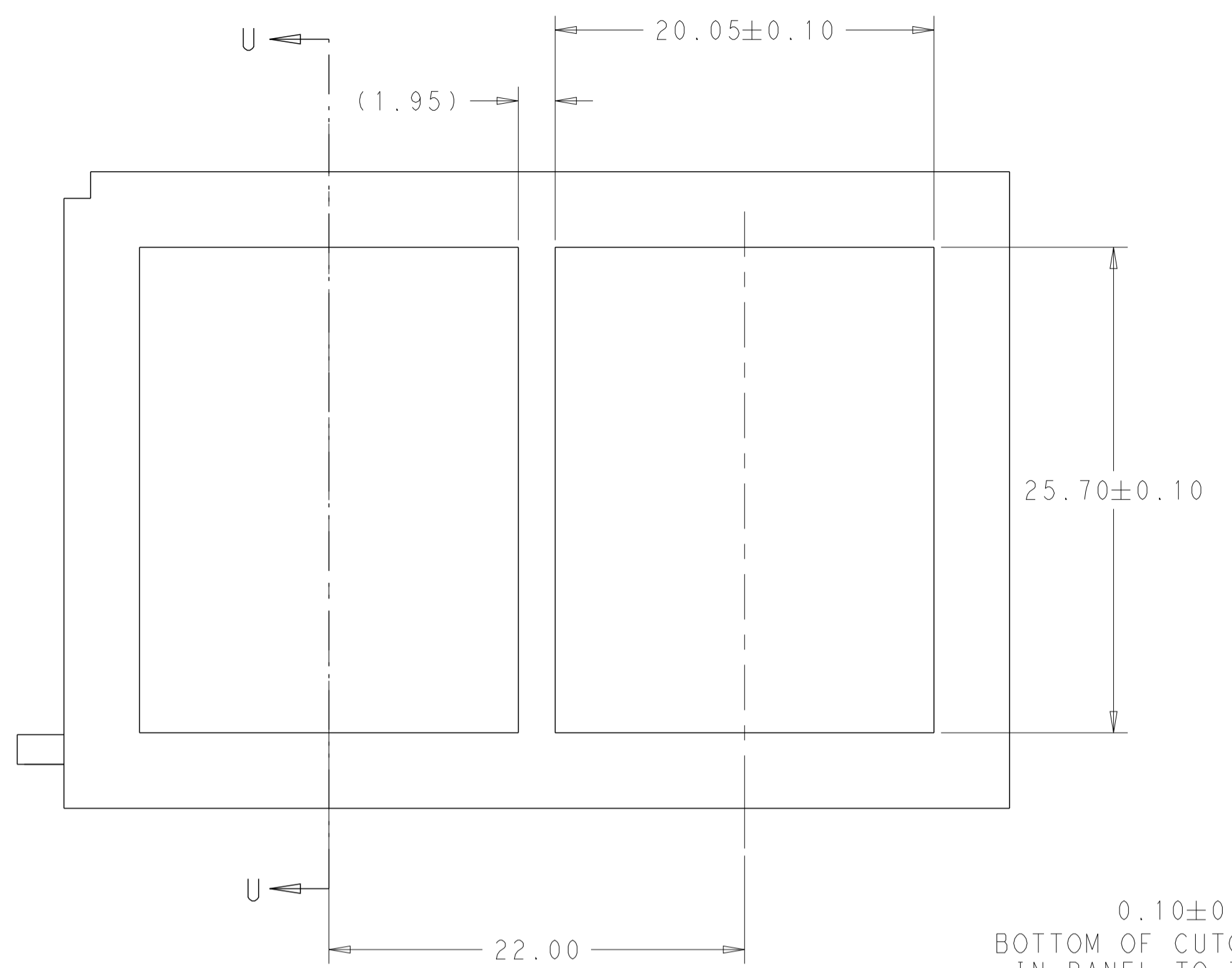
2-2227669-6



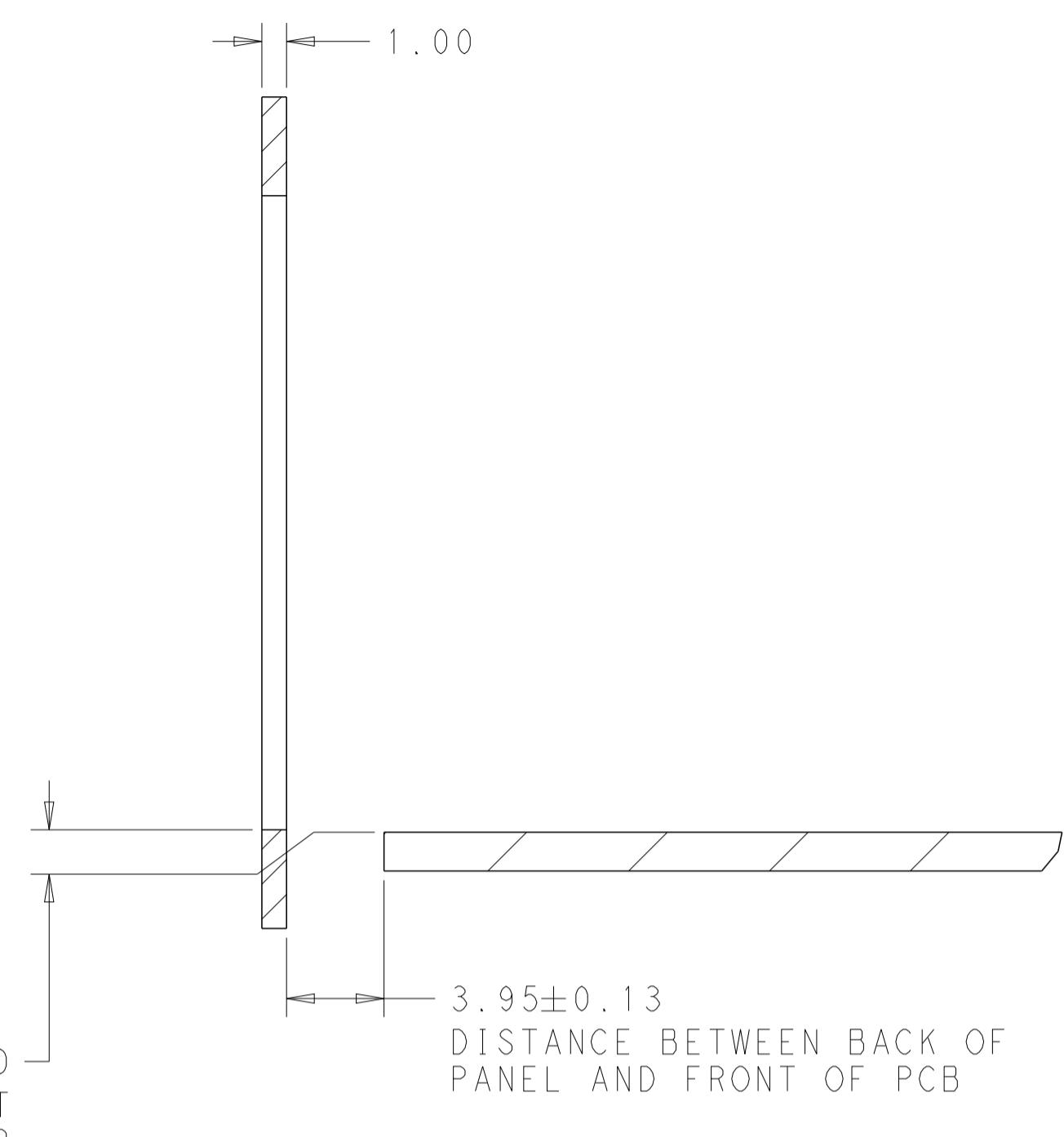
2-2227669-6
SCALE 2:1

THIS DRAWING IS A CONTROLLED DOCUMENT.		DWN M. SHIRK 16JAN2013	TE Connectivity
		CHK D. SZCZESNY 16JAN2013	
DIMENSIONS:	TOLERANCES UNLESS OTHERWISE SPECIFIED:	APVD -	NAME
mm	0 PLC ±0.25	PRODUCT SPEC	CAGE AND CONNECTOR ASSEMBLY, WITH
	2 PLC ±0.15	108-60102	EMI SPRING FINGERS, THRU BEZEL, 2X1,
	3 PLC ±	APPLICATION SPEC	ZOSFP+ STACKED
	4 PLC ±	SIZE CAGE CODE DRAWING NO	RESTRICTED TO
	ANGLES ±	114-60015	A100779C=2227669
MATERIAL	FINISH	WEIGHT	SCALE 1:1 SHEET 4 OF 8 REV F1
SEE NOTE 1		CUSTOMER DRAWING	

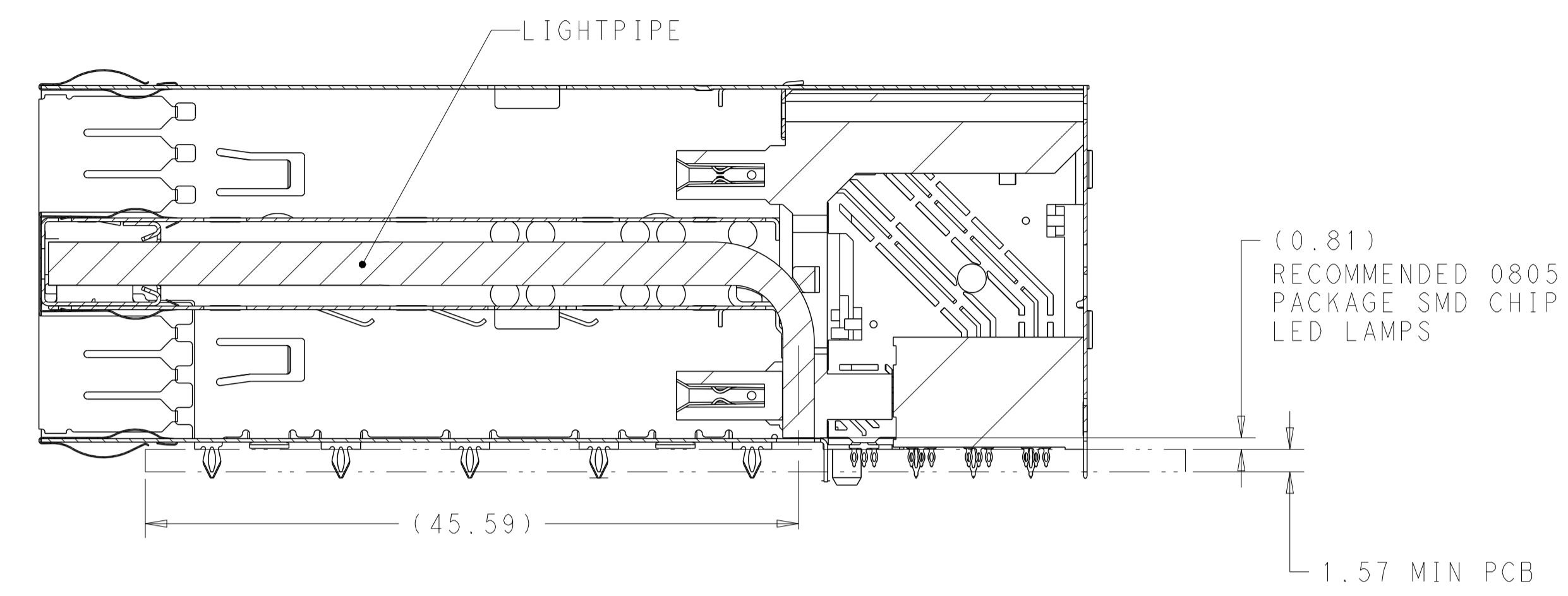
LOC	DIST	REVISIONS			
P	LTN	DESCRIPTION	DATE	DMN	APVD
GP	00	SEE SHEET 1			



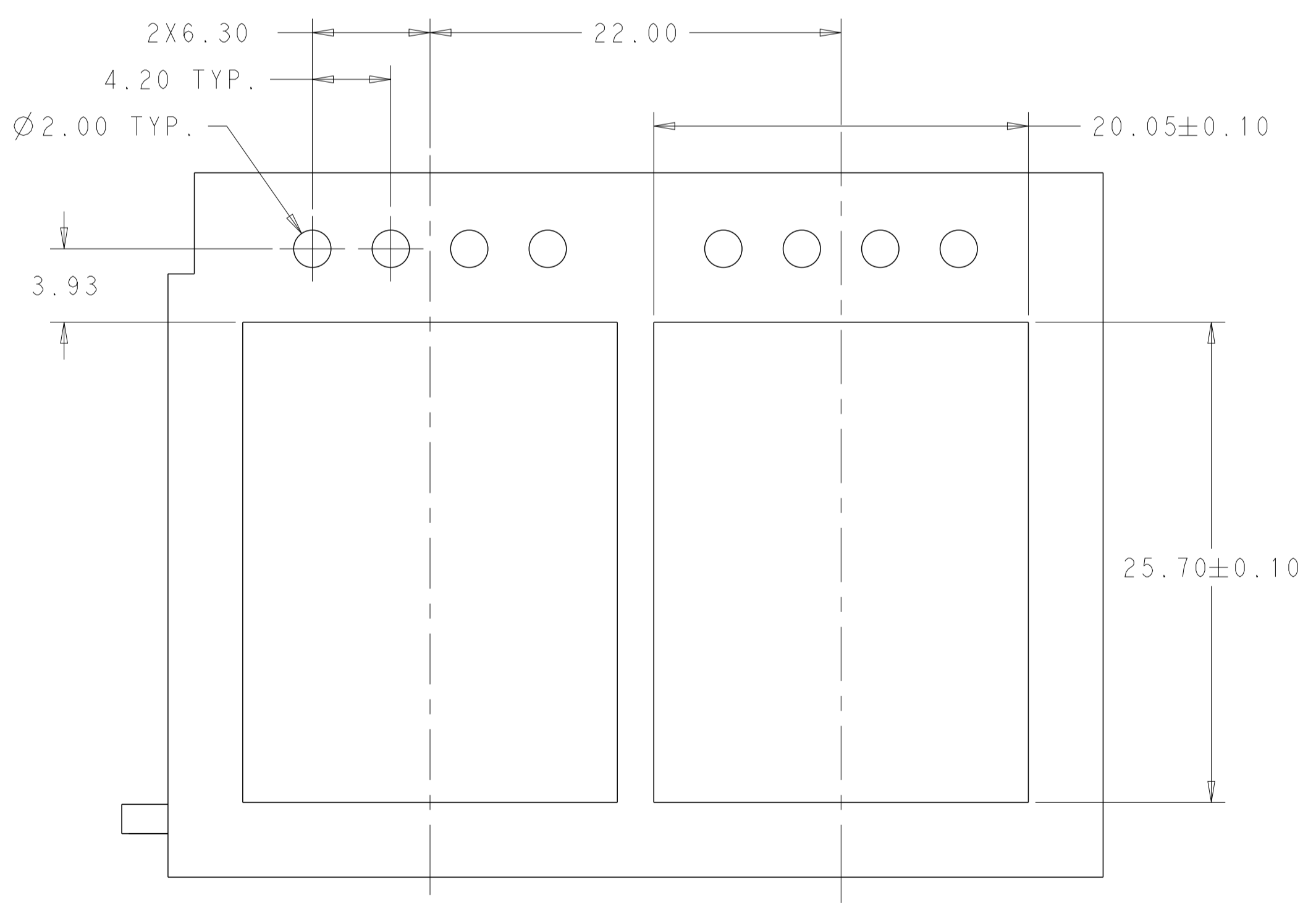
RECOMMENDED PANEL CUTOUT AND PC BOARD, PANEL POSITION



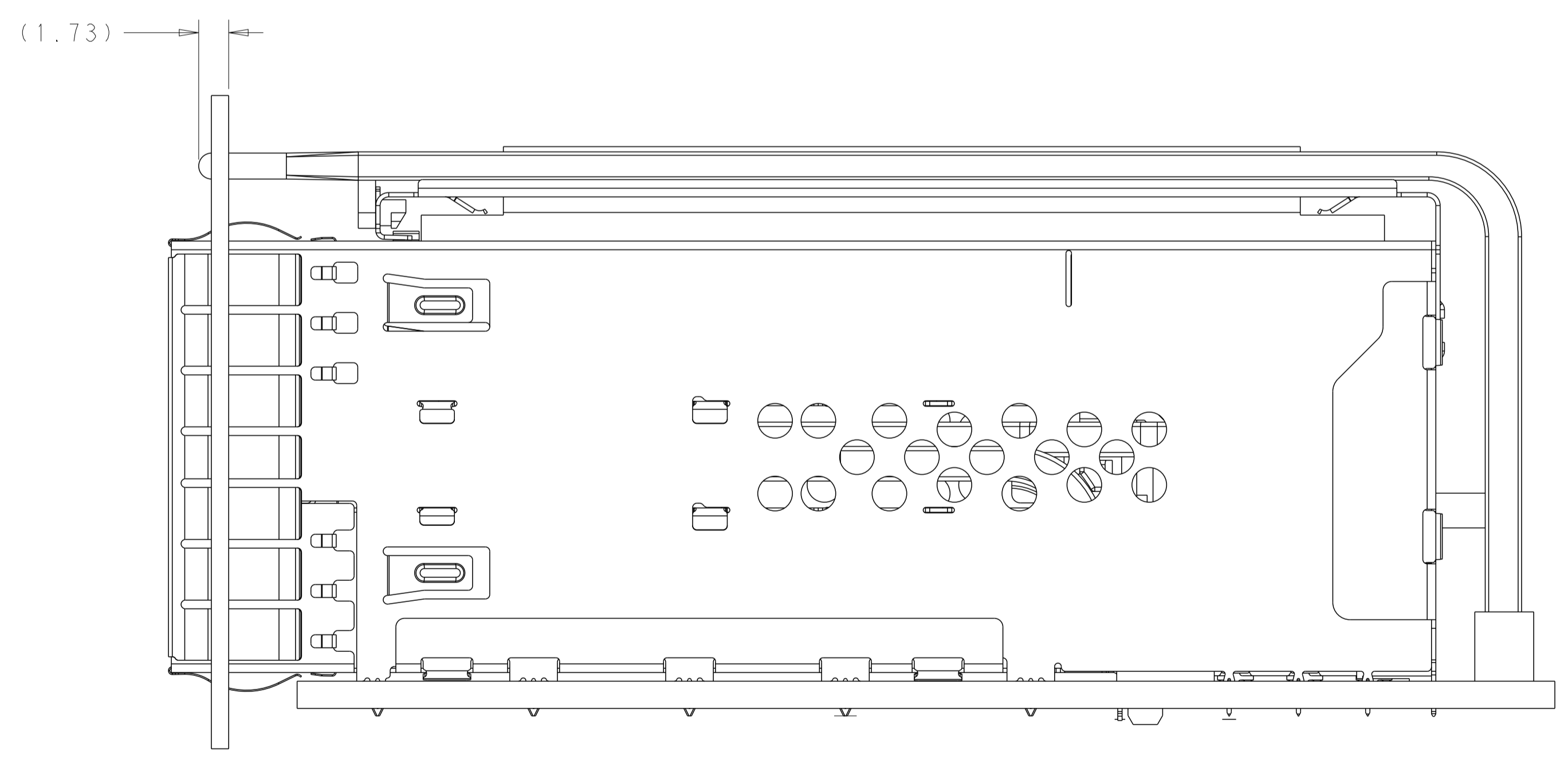
SECTION U-U



SECTION V-V
SCALE 3:1

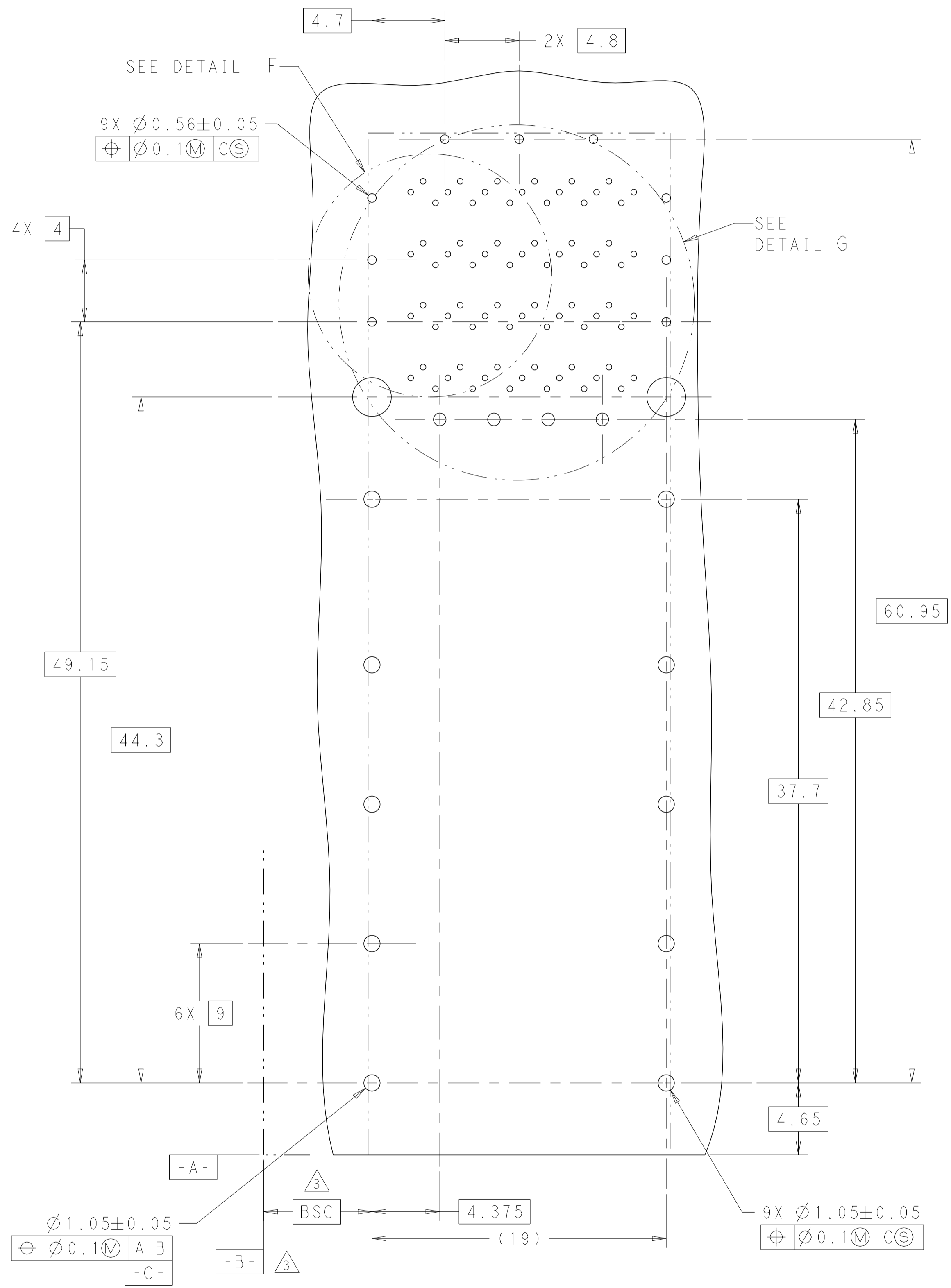


RECOMMENDED PANEL CUTOUT AND PC BOARD, PANEL POSITION FOR 2-2227669-1
SCALE 4:1

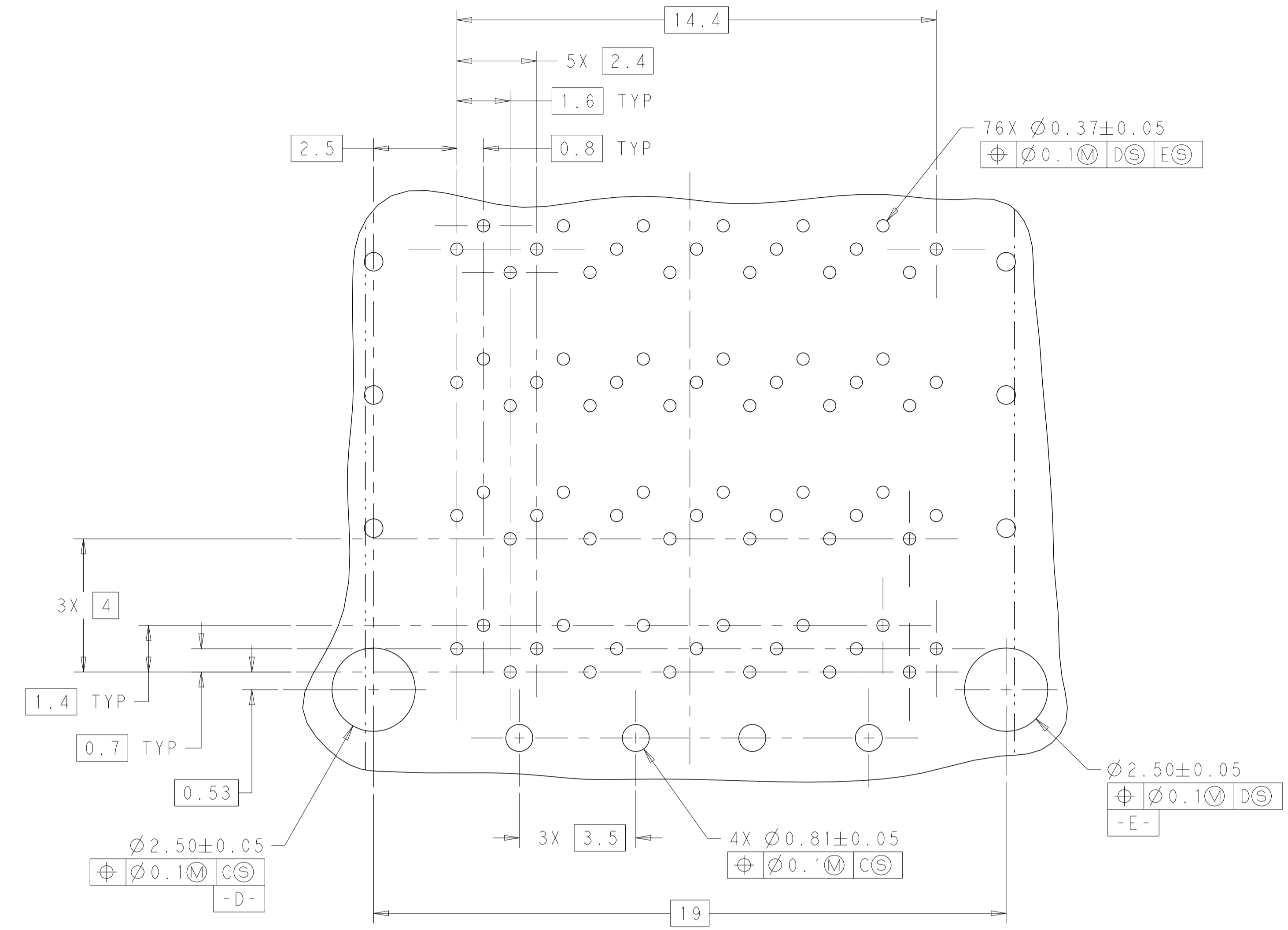


THIS DRAWING IS A CONTROLLED DOCUMENT.		DMN M. SHIRK 16JAN2013	TE Connectivity	
DIMENSIONS:		CHK D. SZCZESNY 16JAN2013	NAME	
mm	TOLERANCES UNLESS OTHERWISE SPECIFIED:	APVD	PRODUCT SPEC	
Ø	0 PLC ±		108-60102	
	1 PLC ±0.25		APPLICATION SPEC	
	2 PLC ±0.15		SIZE	CAGE CODE DRAWING NO
	3 PLC ±		114-60015	A100779C=2227669
	4 PLC ±		WEIGHT	
	ANGLES ±		CUSTOMER DRAWING	SCALE 1:1 SHEET 5 OF 8 REV F1
	FINISH			
MATERIAL				
SEE NOTE 1				

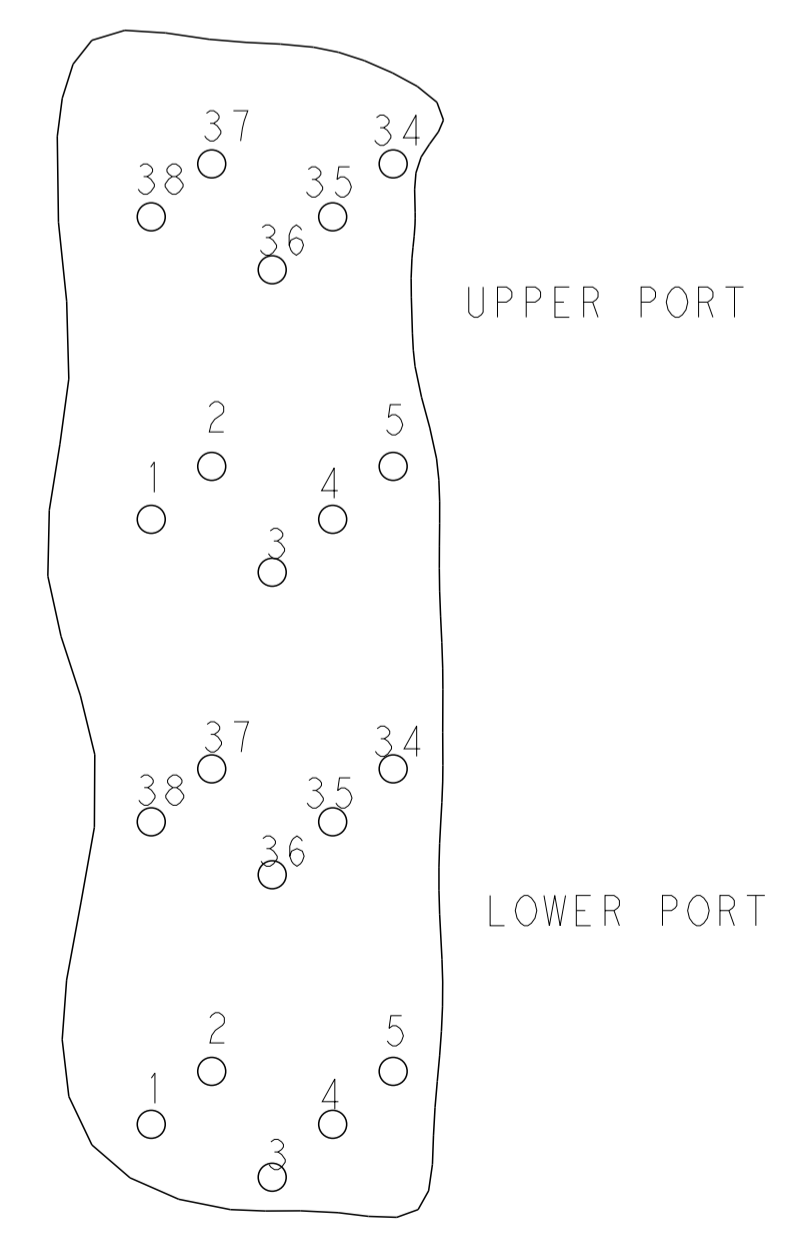
LOC	DIST	REVISIONS			
P	LTN	DESCRIPTION	DATE	OWN	APVD
-	-	SEE SHEET 1	-	-	-



RECOMMENDED PC BOARD LAYOUT
 COMPONENT SIDE OF BOARD
 SCALE 5:1
 (PCB TOLERANCE: ±0.05)



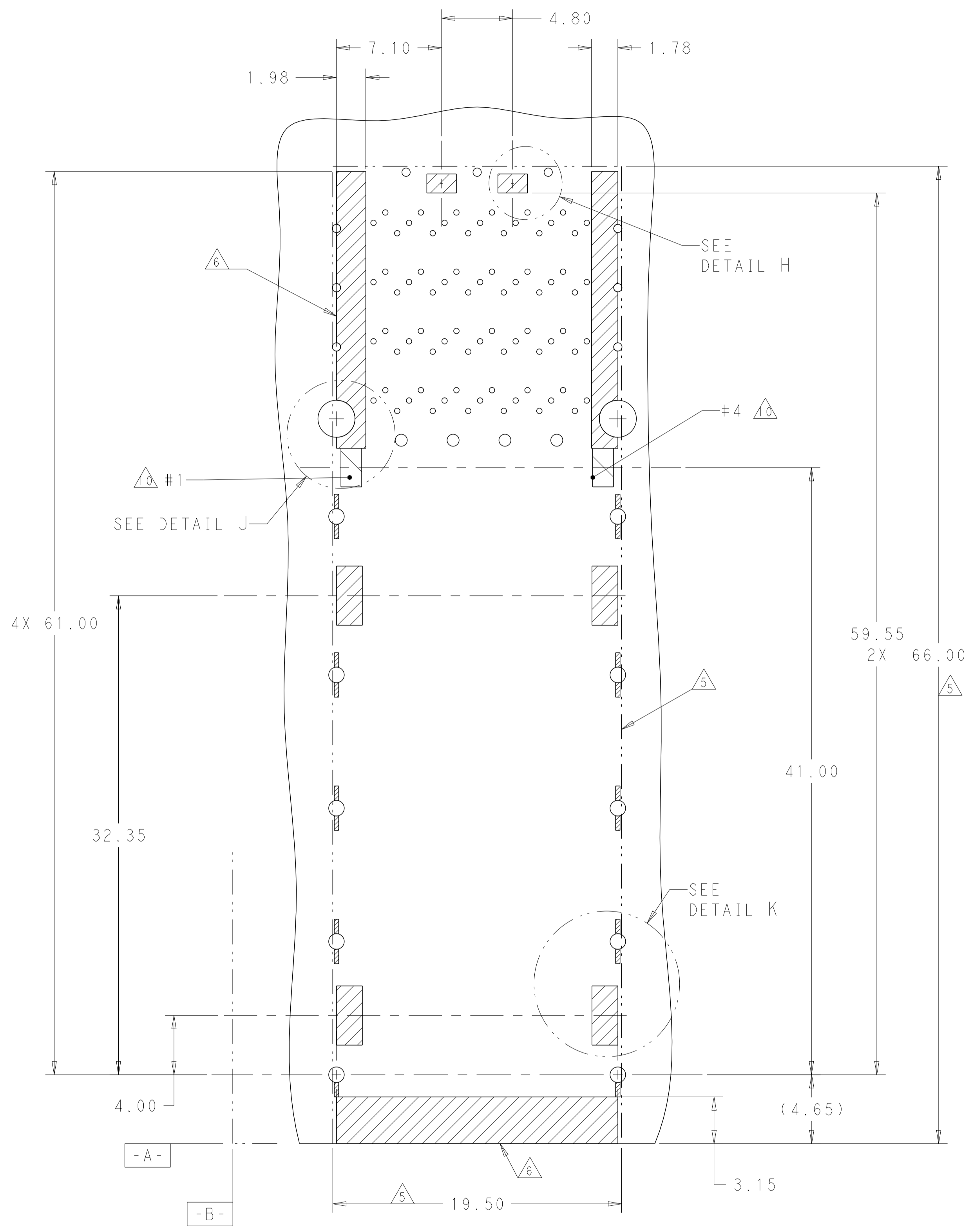
DETAIL G
 SCALE 10:1



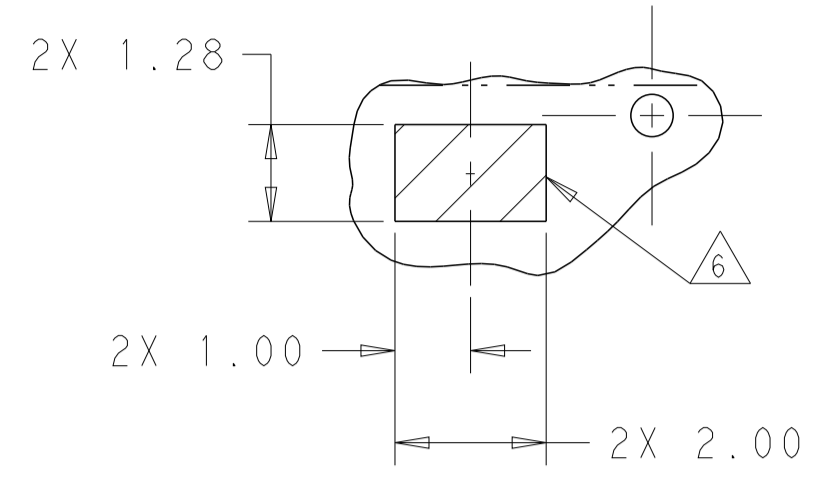
DETAIL F
 SCALE 10:1
 PIN ASSIGNMENTS

THIS DRAWING IS A CONTROLLED DOCUMENT.		OWN: M. SHIRK 16JAN2013	TE Connectivity
		CHK: D. SZCZESNY 16JAN2013	
DIMENSIONS:	TOLERANCES UNLESS OTHERWISE SPECIFIED:	APVD:	NAME:
mm	0 PLC ±0.25	PRODUCT SPEC	CAGE AND CONNECTOR ASSEMBLY, WITH
	1 PLC ±0.15	108-60102	EMI SPRING FINGERS, THRU BEZEL, 2X1,
	2 PLC ±0.15	APPLICATION SPEC	ZOSFP+ STACKED
	3 PLC ±0.15	SIZE	CAGE CODE DRAWING NO
	4 PLC ±0.15	114-60015	A100779C=2227669
	ANGLES ±0.1	WEIGHT	RESTRICTED TO
MATERIAL:	FINISH:	CUSTOMER DRAWING	SCALE 1:1 SHEET 6 OF 8 REV F1
SEE NOTE 1			

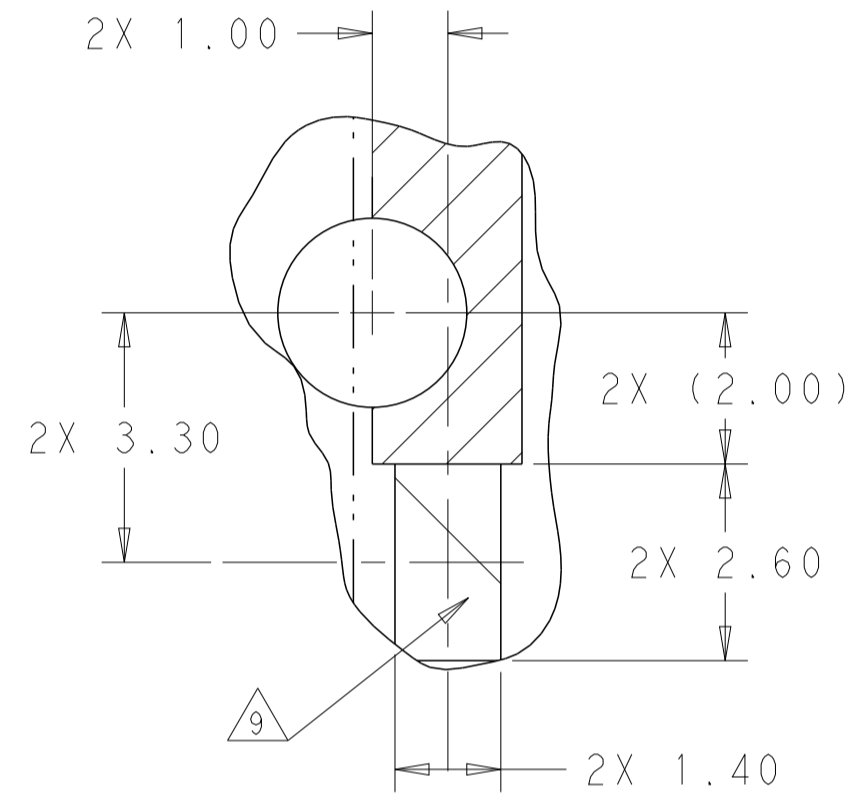
LOC	DIST	REVISIONS			
P	LTN	DESCRIPTION	DATE	DMN	APVD
GP	00	SEE SHEET 1			



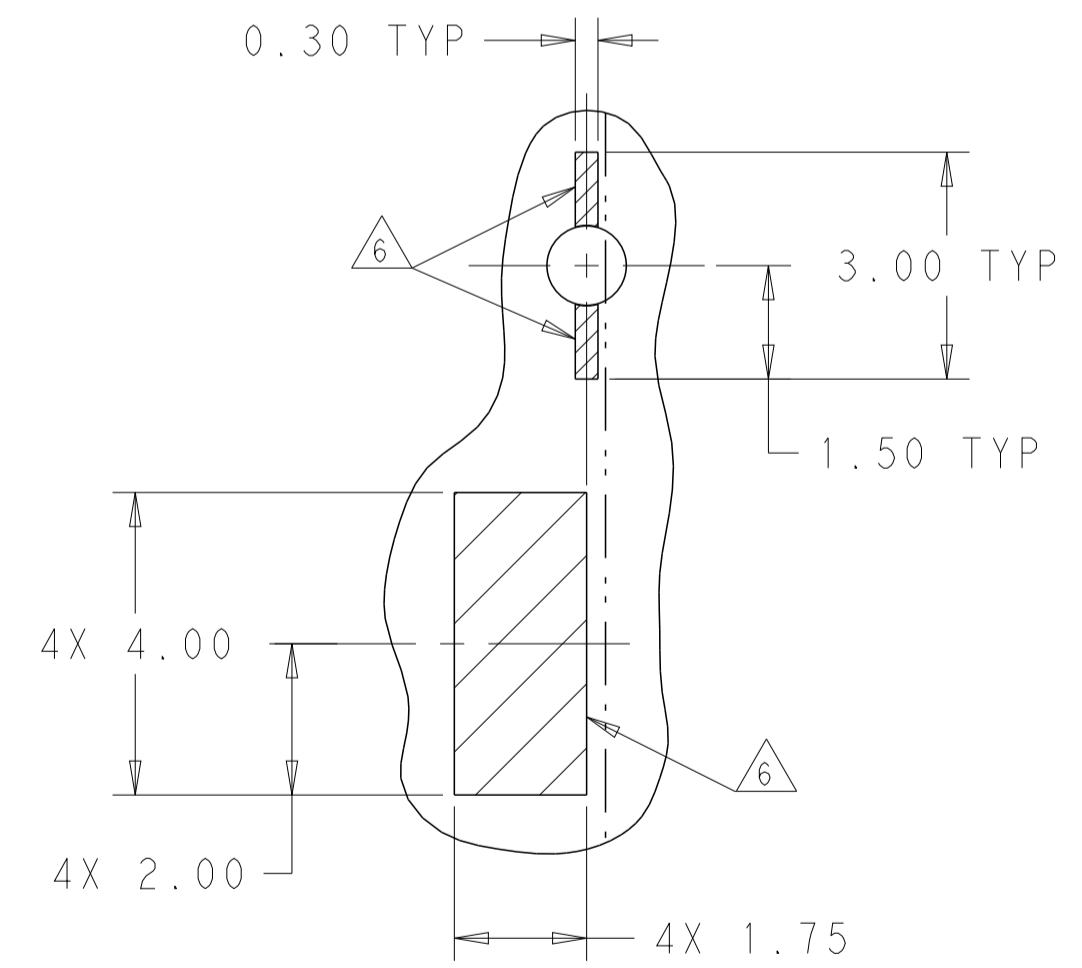
KEEPOUT AREAS FOR 2LP APPLICATION
 COMPONENT SIDE OF BOARD
 SCALE 5:1



DETAIL H
 SCALE 10:1



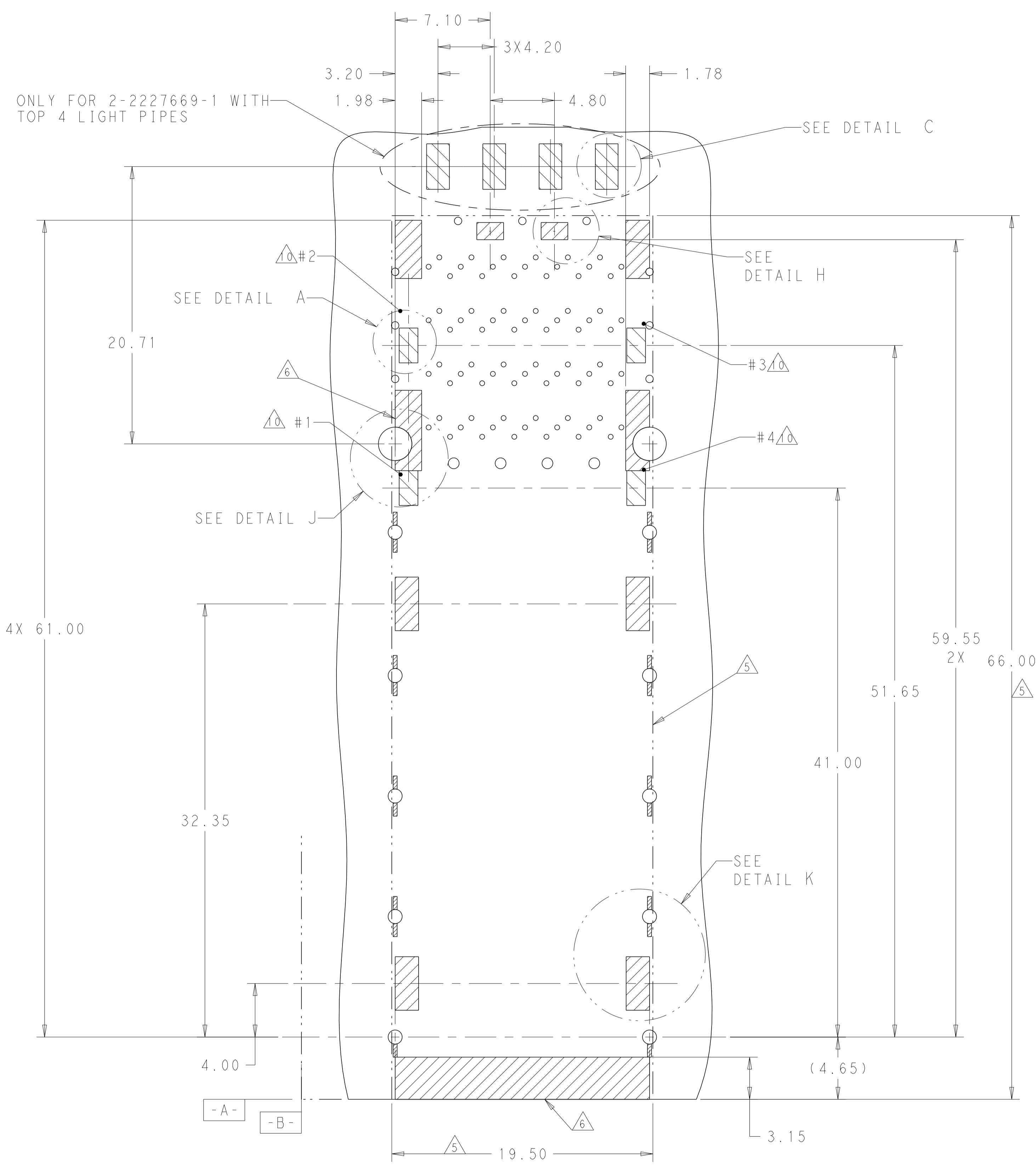
DETAIL J
 LED PADS
 SCALE 10:1



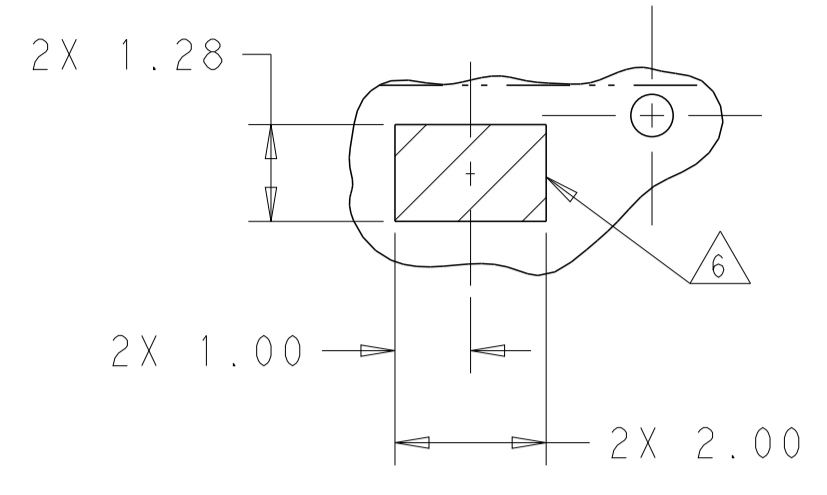
DETAIL K
 SCALE 10:1

THIS DRAWING IS A CONTROLLED DOCUMENT.		DMN M. SHIRK 16JAN2013	TE Connectivity
DIMENSIONS: mm		CHK D. SZCZESNY 16JAN2013	
TOLERANCES UNLESS OTHERWISE SPECIFIED:		APVD	NAME
0 PLC ±0.25	1 PLC ±0.15	CAGE AND CONNECTOR ASSEMBLY, WITH EMI SPRING FINGERS, THRU BEZEL, 2X1, ZQSP+ STACKED	
2 PLC ±0.15	3 PLC ±0.15	PRODUCT SPEC 108-60102	
4 PLC ±0.15	5 PLC ±0.15	APPLICATION SPEC	
ANGLES ±0.15	FINISH	SIZE 114-60015	CAGE CODE DRAWING NO. A100779
MATERIAL SEE NOTE 1	FINISH	WEIGHT	RESTRICTED TO
		CUSTOMER DRAWING	SCALE 1:1 SHEET 7 OF 8 REV F1

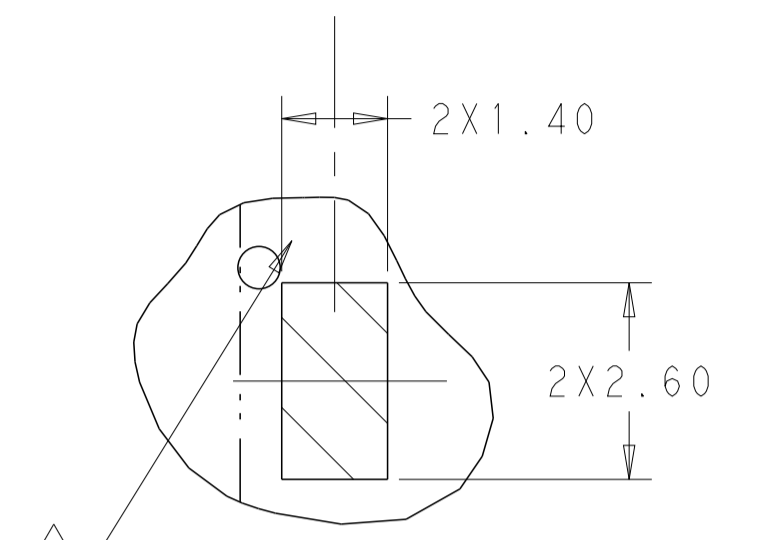
LOC	DIST	REVISIONS			
P	LYR	DESCRIPTION	DATE	OWN	APVD
-	-	SEE SHEET 1	-	-	-



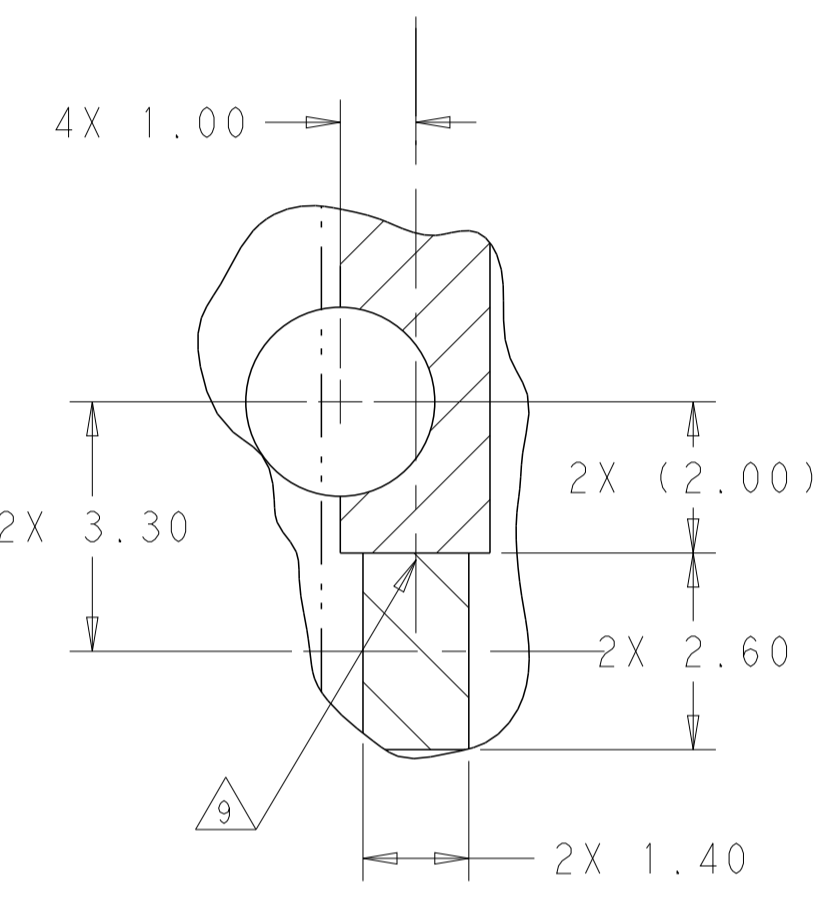
KEEPOUT AREAS FOR 4 LP APPLICATON
 COMPONENT SIDE OF BOARD
 SCALE 5:1



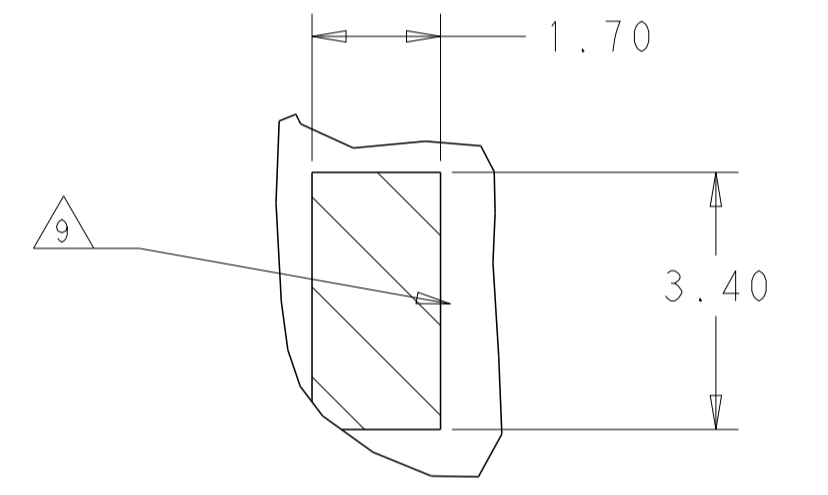
DETAIL H
 SCALE 10:1



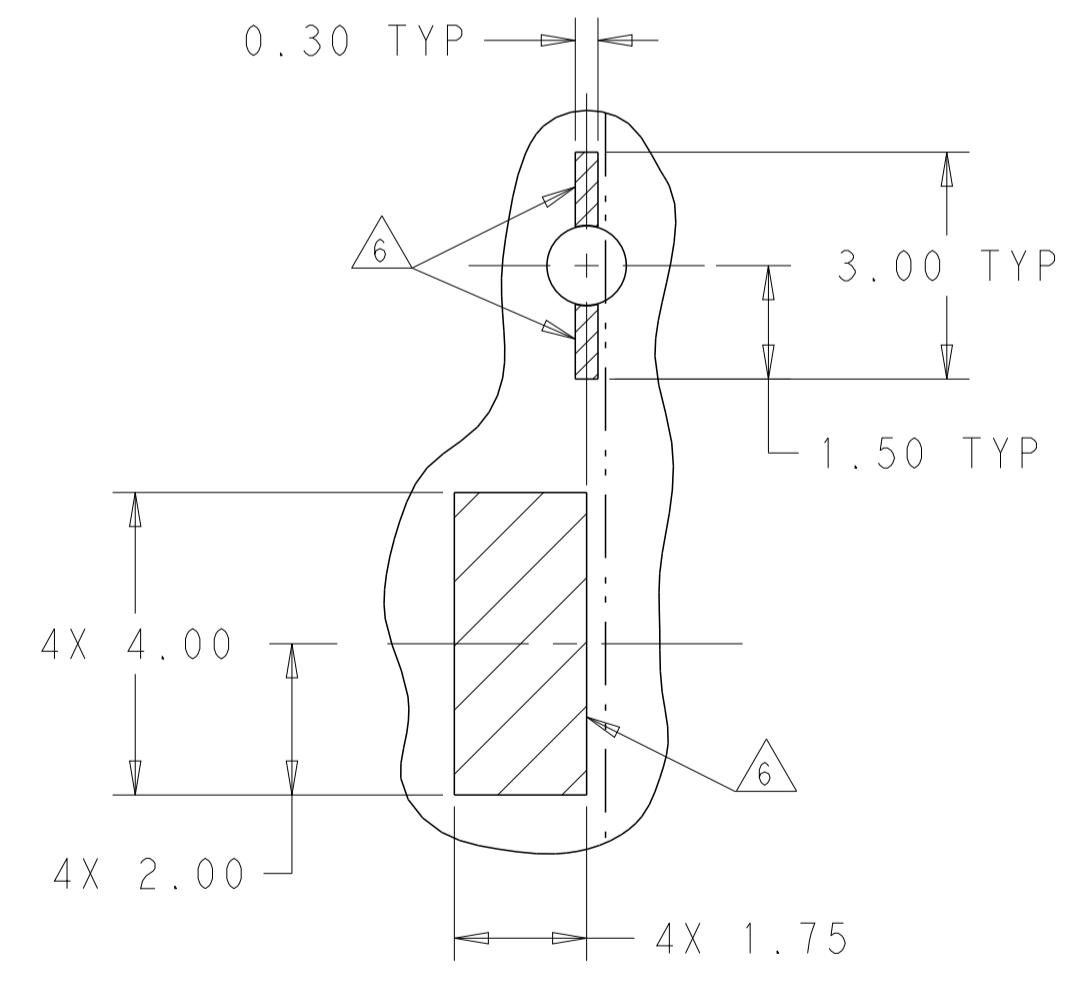
DETAIL A
 SCALE 10:1



DETAIL J
 LED PADS
 SCALE 10:1



DETAIL C
 SCALE 10:1



DETAIL K
 SCALE 10:1

THIS DRAWING IS A CONTROLLED DOCUMENT.		OWN: M. SHIRK 16JAN2013	TE Connectivity
DIMENSIONS: mm		CHK: D. SZCZESNY 16JAN2013	
TOLERANCES UNLESS OTHERWISE SPECIFIED:		APVD: -	NAME: CAGE AND CONNECTOR ASSEMBLY, WITH EMI SPRING FINGERS, THRU BEZEL, 2X1, ZQSP+ STACKED
0 PLC ±0.25	1 PLC ±0.15	PRODUCT SPEC: 108-60102	RESTRICTED TO: -
2 PLC ±0.15	3 PLC ±0.15	APPLICATION SPEC: 114-60015	SIZE: A1
4 PLC ±0.15	ANGLES ±0.15	WEIGHT: -	CAGE CODE: 2227669
MATERIAL: SEE NOTE 1		CUSTOMER DRAWING	SCALE: 1:1 SHEET: 8 OF 8 REV: F1