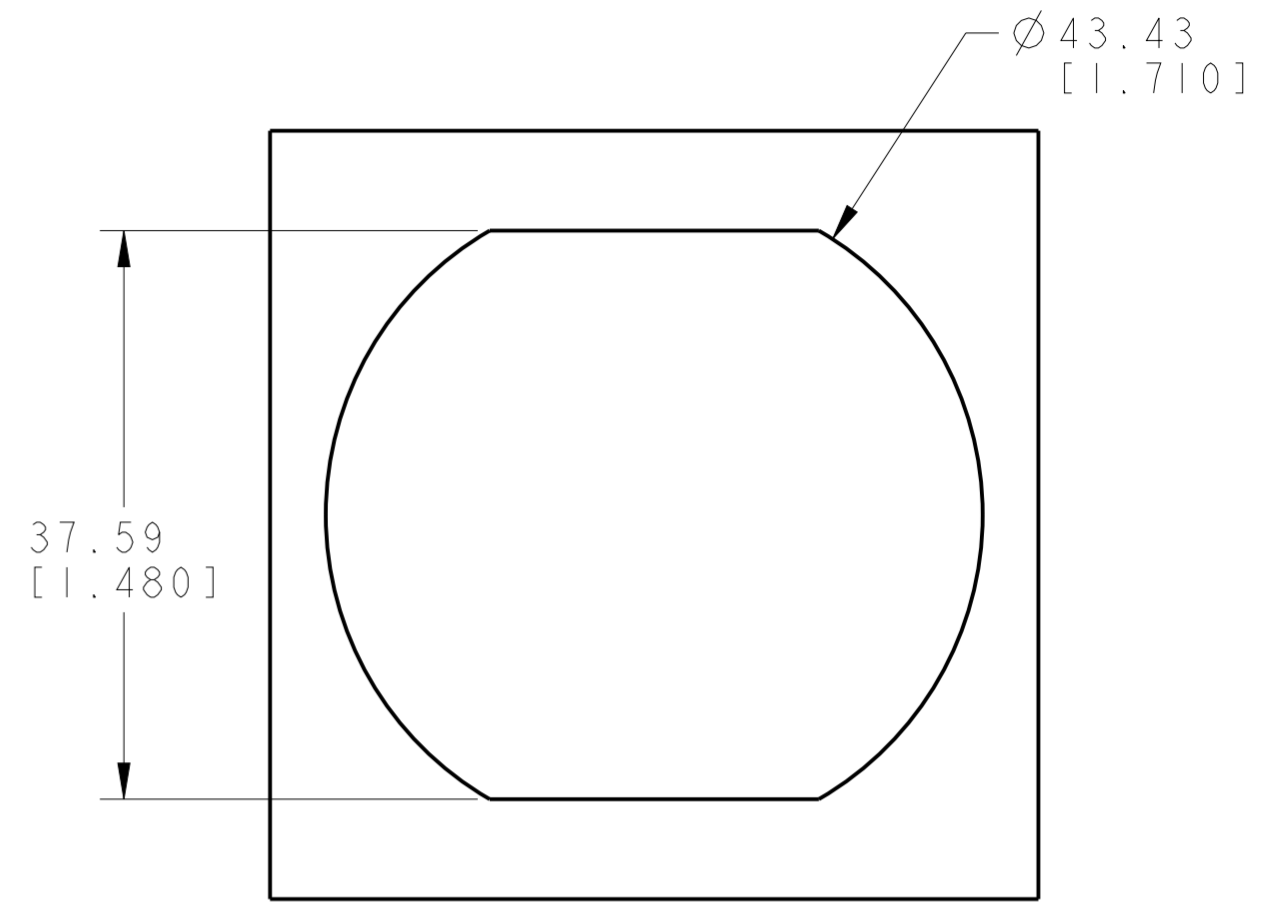
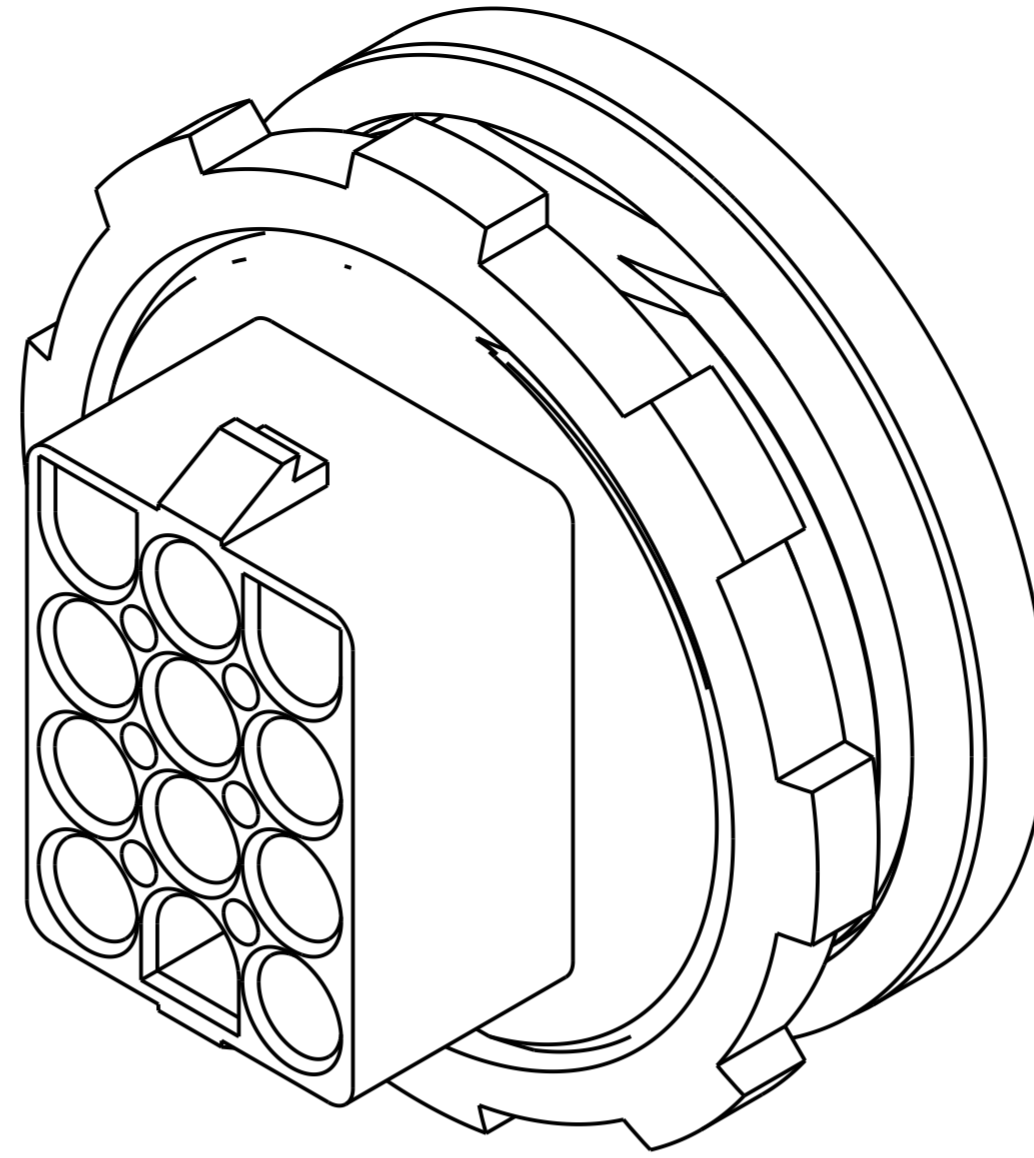
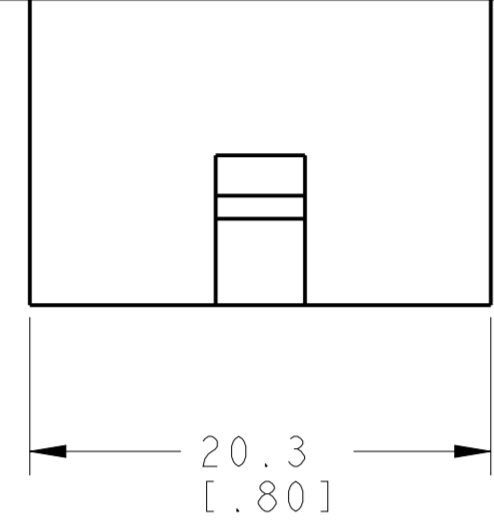
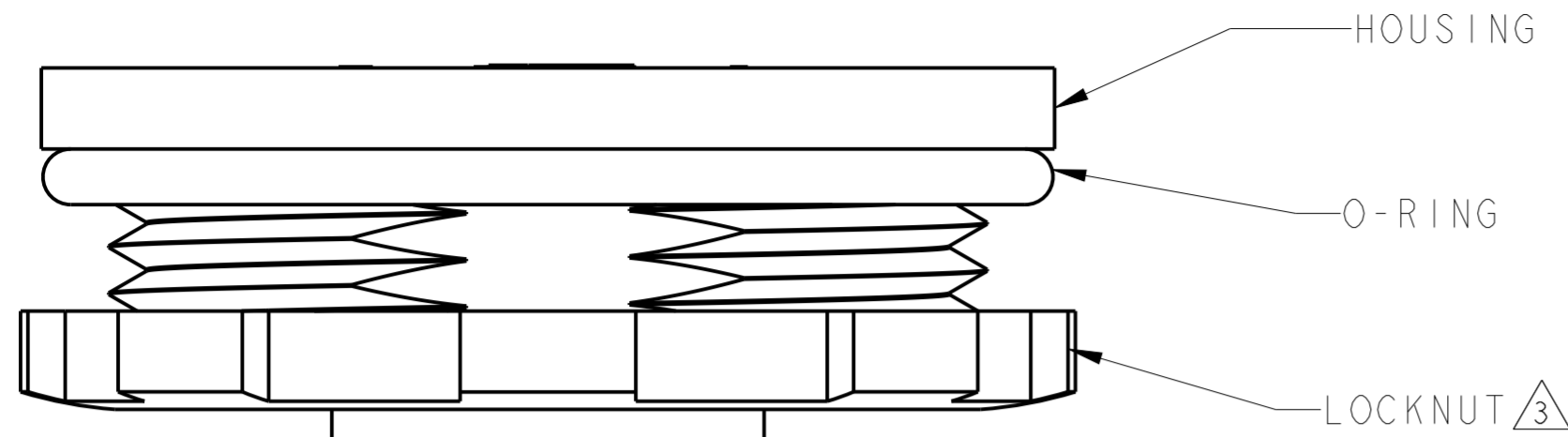
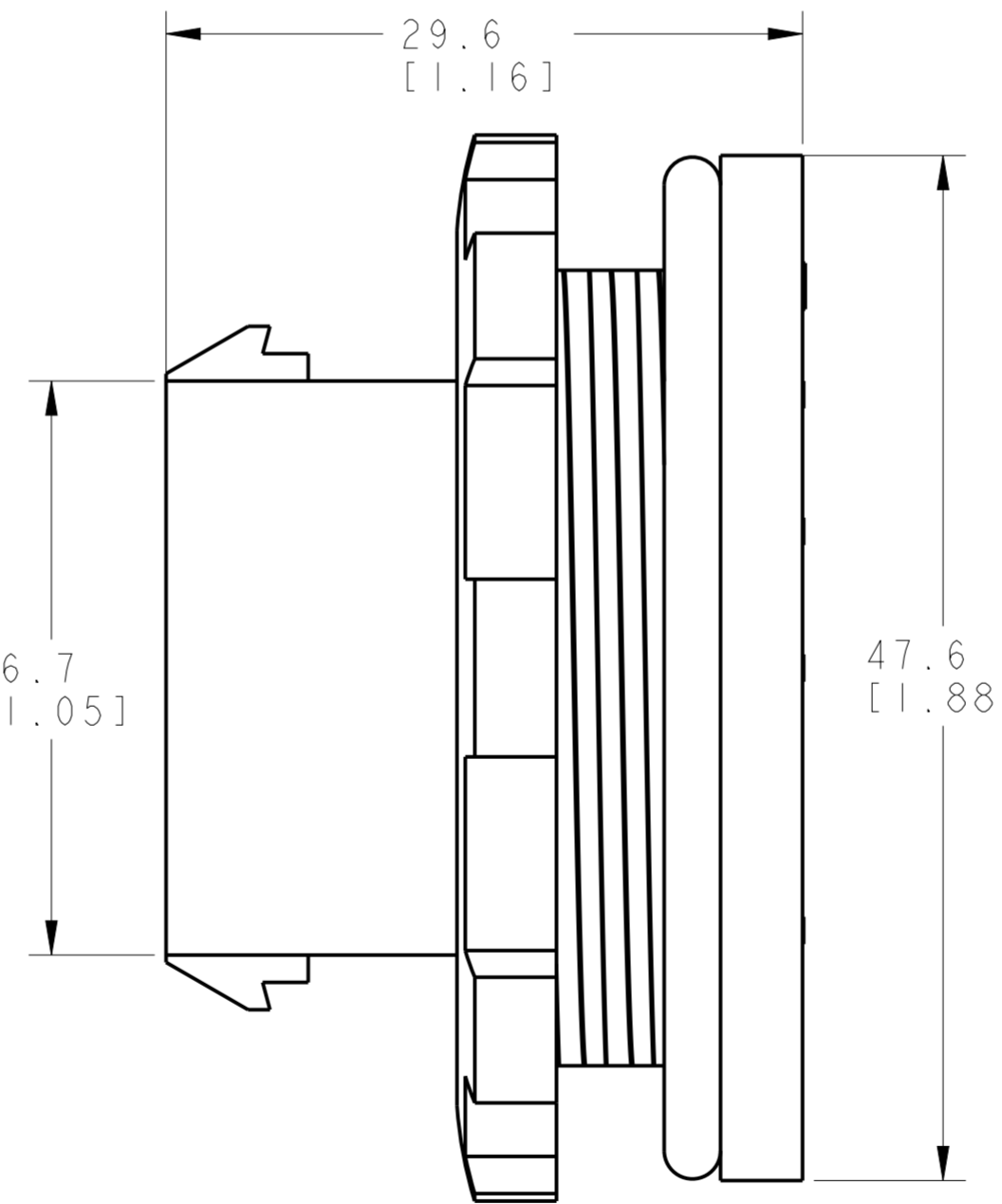
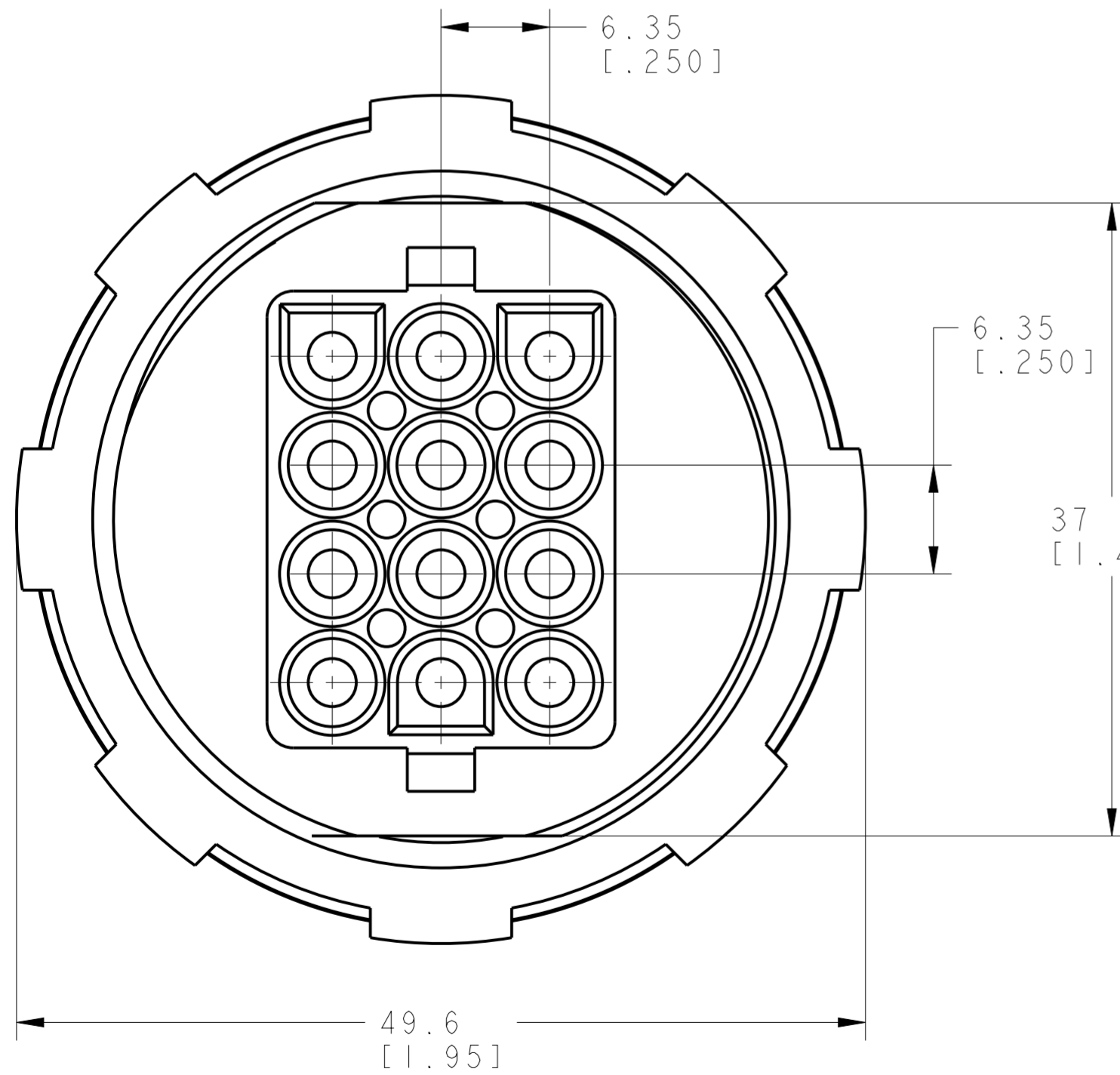


THIS DRAWING IS UNPUBLISHED. RELEASED FOR PUBLICATION 20  
 © COPYRIGHT 20 ALL RIGHTS RESERVED.

REVISIONS				
P	LTR	DESCRIPTION	DATE	APVD
A1		REVISED PER ECR-17-015449	25OCT2017	BDA KR
A2		REVISED PER ECO-20-008510	17JUN2020	WLS DZ
A3		REVISED PER ECN-20-100768	03DEC2020	WLS VS
B		REVISED PER ECN-21-103649	10MAY2021	WLS VS



SCALE 2:1  
 RECOMMENDED  
 PANEL CUT-OUT



- ① LOCKNUT : METAL  
 HOUSING : NYLON, FLAME RETARDANT, UL94-V0  
 O-RING : NEOPRENE BLACK (-1) OR SILICONE RUBBER RED (1- -1)
- ② LOCKNUT : PLATED
- ③ LOCKNUT, SIX(6) OR EIGHT(8) SYMETRICAL PLACED GRIP POINTS PERMISSIBLE.
- 4 DIMENSIONS SHOWN REPRESENT PRODUCT IN DRY, AS MOLDED, CONDITION. ADDITIONAL 2% GROWTH DUE TO SUBSEQUENT MOISTURE ABSORPTION MAY OCCUR AND SHOULD BE ACCOUNTED FOR.
- ⑤ ROHS COMPLIANT.

⑤ 1-1604941-1  
 OBSOLETE 1604941-1  
 PART NO

THIS DRAWING IS A CONTROLLED DOCUMENT.		DWN W J RUDY 12JUN03	TE Connectivity	
DIMENSIONS: mm [INCHES]		CHK JHW 12JUN03		
TOLERANCES UNLESS OTHERWISE SPECIFIED:		APVD JHW 12JUN03	NAME BULKHEAD CONNECTOR ASSEMBLY	
0 PLC ±	1 PLC ±0.5 [0.02]	PRODUCT SPEC -	12 CIRCUIT, UNIVERSAL MATE-N-LOK(TM)	
2 PLC ±0.13 [0.005]	3 PLC ±	APPLICATION SPEC -	SIZE A2	CAGE CODE 00779
4 PLC ±	ANGLES ±	WEIGHT -	DRAWING NO C-1604941	RESTRICTED TO
MATERIAL ①	FINISH ②	CUSTOMER DRAWING	SCALE 3:1	SHEET 1 OF 1 REV B