



Analog Feedback Servos

Created by Bill Earl



<https://learn.adafruit.com/analog-feedback-servos>

Last updated on 2023-03-05 09:57:59 PM EST

Table of Contents

About Servos and Feedback	3
<ul style="list-style-type: none">• What is a Servo?• Open and Closed Loops	
Using Feedback	5
<ul style="list-style-type: none">• Reading the feedback• Calibrating the feedback• Using feedback in your code• Seeking to a position• Finding out where you are	
Servos as Input Devices	9
<ul style="list-style-type: none">• To run the Servo Record/Play Demo Sketch:	
Using With CircuitPython	12
<ul style="list-style-type: none">• Wiring• Reading the feedback	
Calibrating The Feedback	13
Finding and Seeking	15
Servo Record and Play	17

About Servos and Feedback



What is a Servo?

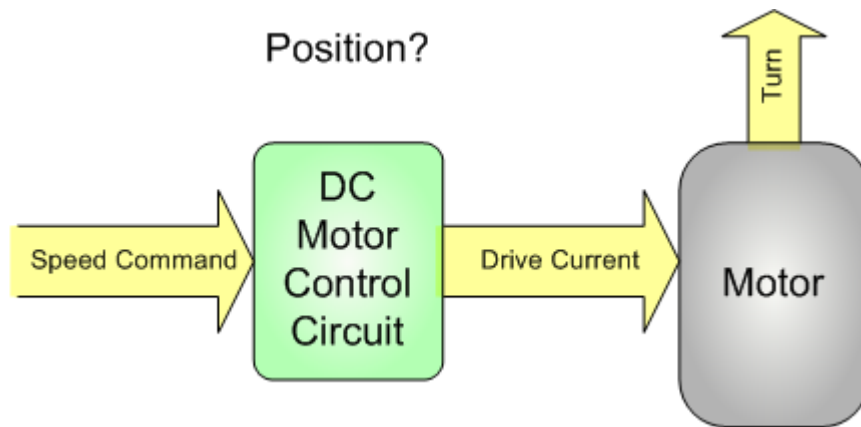
The word 'servo' means more than just those little RC Servo Motors we usually think of. Servo is a general term for a closed loop control system using negative feedback.

The cruise control in a car is one example of a servo system. It measures your speed and feeds that back into a control circuit which adjusts the accelerator to maintain speed.

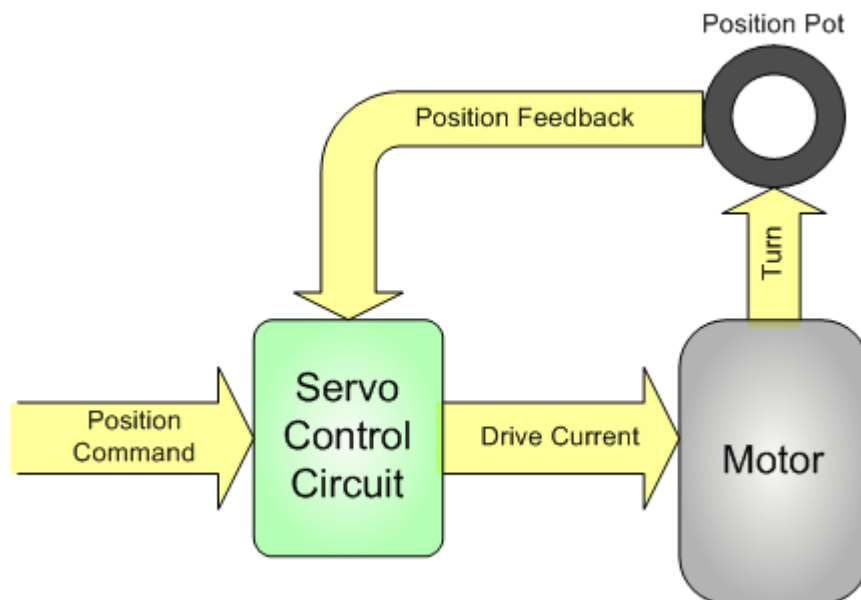
For the familiar RC Servo motor, the position of the output shaft is measured and fed back to the internal control circuit which adjusts current to the motor to maintain position.

Open and Closed Loops

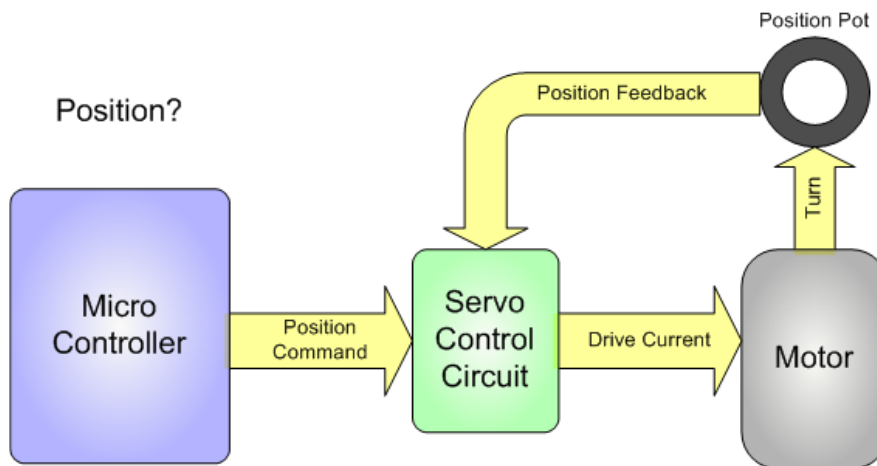
An "Open Loop" system has no feedback, so there is no way to verify that it is performing as expected. A common expression among control engineers is "You can't control what you can't measure."



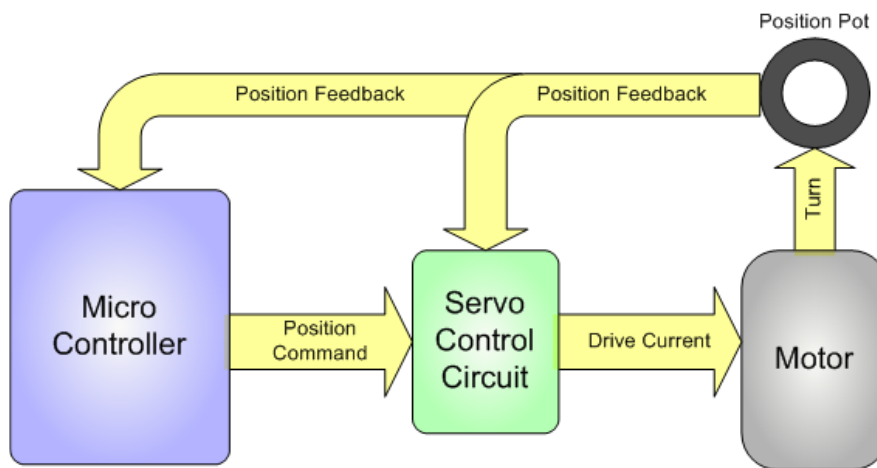
A "Closed Loop" system can use the feedback signal to adjust the speed and direction of the motor to achieve the desired result. In the case of an RC servo motor, the feedback is in the form of a potentiometer (pot) connected to the output shaft of the motor. The output of the pot is proportional to the position of the servo shaft.



The problem with controlling a standard RC servo motor from a microcontroller is that it is 'closed loop' inside the servo motor case, but 'open loop' with respect to your microcontroller. You can tell the servo control circuit how you want the shaft positioned, but you have no way to confirm if or when this actually happens.



The Feedback Servos allow you to close this outer loop by providing the feedback signal to the microcontroller too!



Using Feedback

If a servo motor does what it is told to do, why do we need feedback?

RC servos usually do what they are told to do, but there are many cases where a servo motor might not. These can include:

- Insufficient motor size
- Insufficient power supply
- Physical interference
- Electrical interference
- loose connection

In these cases, feedback could alert you to the problem.

But even if the servo is adequately sized and functioning normally, it still takes some time to respond to a position command, and in many applications it is just as

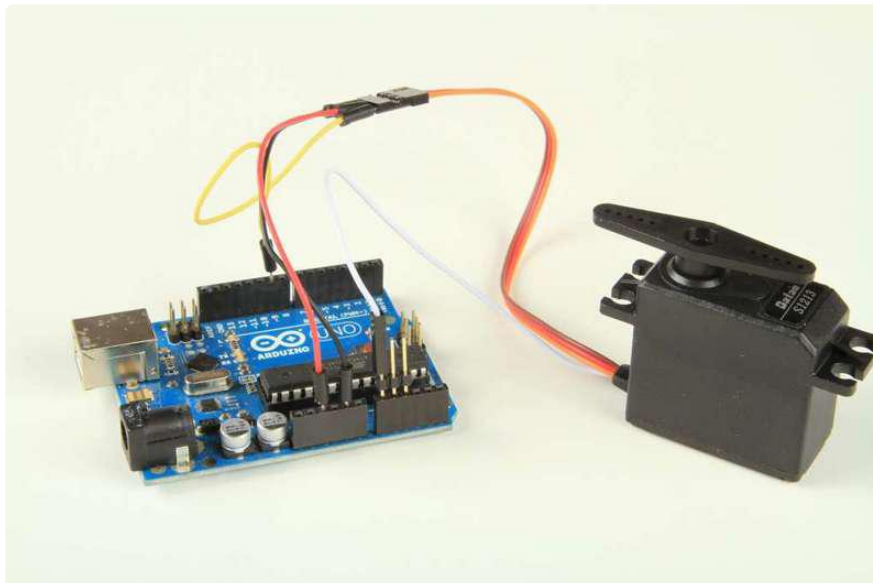
important to know when the position is reached.

This following code snippet is from the "Sweep" example in the Servo library. Note the arbitrary 15 millisecond delay after "myservo.write(val)".

```
void loop()
{
  val = analogRead(potpin);           // reads the value of the potentiometer
  (value between 0 and 1023)
  val = map(val, 0, 1023, 0, 179);    // scale it to use it with the servo (value
  between 0 and 180)
  myservo.write(val);                 // sets the servo position according to the
  scaled value
  delay(15);                           // waits for the servo to get there
}
```

Without feedback, most servo programming has to make some assumptions about how long a particular move will take. Adding fixed-time delays to servo code works OK for simple applications, but can result in slow and/or jerky performance when trying to coordinate multiple servo motions or interactions between servos and other sensors or actuators.

Or worse: If the delays are not long enough, your servos may not reach the desired position in time. This can cause malfunctions and/or damage to your project. Timing problems are a big problem in battery-powered projects because the motors will run slower as the battery power fades.



Reading the feedback

The feedback signal is tapped off the position pot attached to the servo shaft. You can connect the white feedback wire to any of the analog input pins and read the feedback value using `analogRead()`.

```
int feedback = analogRead(feedbackPin);
```

Calibrating the feedback

The raw feedback signal is a voltage. In order to convert that voltage into a meaningful position, we need to calibrate it to the servo. By reading the feedback values at two known positions, we can interpolate the expected feedback values for every position in between.

The following bit of code does just that. If you call "calibrate" in your setup function, it will perform the calibration on the two points you specify. These servos operate over a range of about 0 to 180 degrees. For maximum accuracy, you should choose the `minPos` and `maxPos` calibration points based on the range of motion required in your project.

```
#include <Servo.h>

Servo myservo;

// Control and feedback pins
int servoPin = 9;
int feedbackPin = A0;

// Calibration values
int minDegrees;
int maxDegrees;
int minFeedback;
int maxFeedback;
int tolerance = 2; // max feedback measurement error

/*
  This function establishes the feedback values for 2 positions of the servo.
  With this information, we can interpolate feedback values for intermediate
  positions
*/
void calibrate(Servo servo, int analogPin, int minPos, int maxPos)
{
  // Move to the minimum position and record the feedback value
  servo.write(minPos);
  minDegrees = minPos;
  delay(2000); // make sure it has time to get there and settle
  minFeedback = analogRead(analogPin);

  // Move to the maximum position and record the feedback value
  servo.write(maxPos);
  maxDegrees = maxPos;
  delay(2000); // make sure it has time to get there and settle
  maxFeedback = analogRead(analogPin);
}
```

```
void setup()
{
  myservo.attach(servoPin);

  calibrate(myservo, feedbackPin, 20, 160); // calibrate for the 20-160 degree
range
}

void loop()
{
}
```

Using feedback in your code

Now that we have a calibrated feedback signal, we can easily convert between servo position and feedback voltages in our code.

Seeking to a position

The following bit of code will seek to a position and return as soon as we reach it. There is no need to add an arbitrary delay to the code because the feedback signal will tell us exactly when we get there!

```
void Seek(Servo servo, int analogPin, int pos)
{
  // Start the move...
  servo.write(pos);

  // Calculate the target feedback value for the final position
  int target = map(pos, minDegrees, maxDegrees, minFeedback, maxFeedback);

  // Wait until it reaches the target
  while(abs(analogRead(analogPin) - target) > tolerance){} // wait...
}
```

Finding out where you are

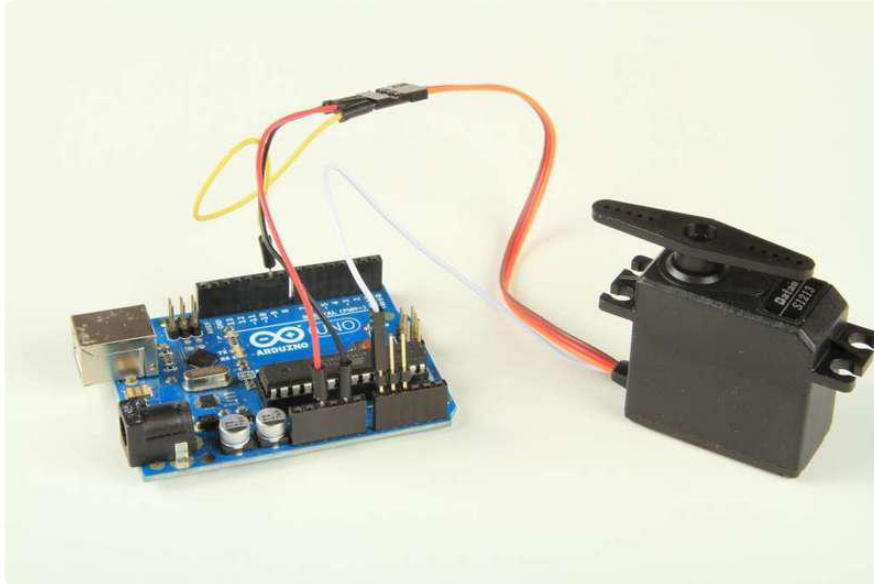
Another great thing about feedback is: You don't need to write code to remember the last position command you sent to the servo (assuming it got there). If you want to find out what position your servo is in, you can simply ask it!

Once you have calibrated your servo with the calibration function above, this bit of code will tell you the current position (in degrees) of your servo:

```
int getPos(int analogPin)
{
  return map(analogRead(analogPin), minFeedback, maxFeedback, minDegrees,
maxDegrees);
}
```


The ability to simply read the servo position opens up the possibility of using it as an input device as well. The next page will show you how.

Servos as Input Devices

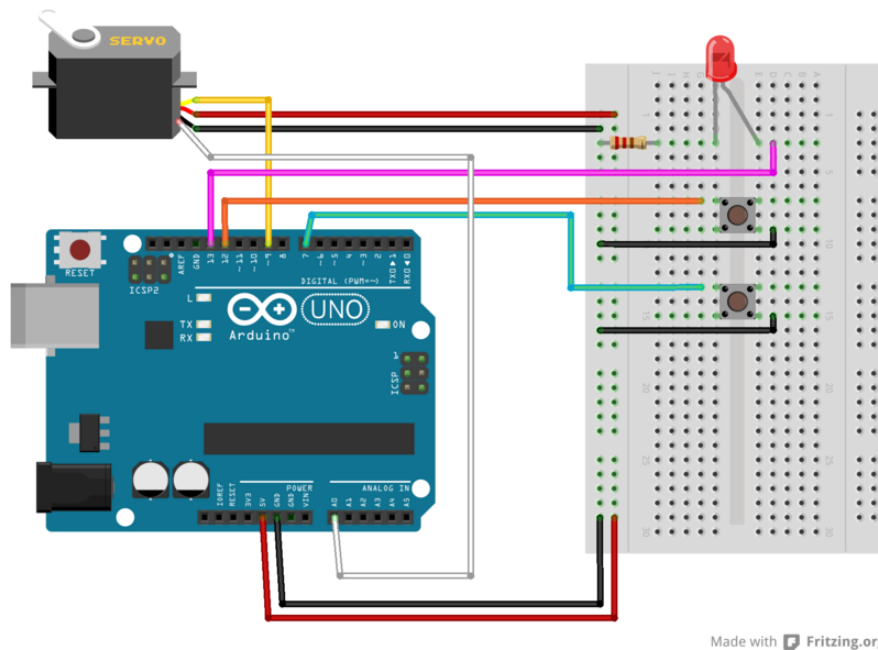


Another neat feature of feedback servos is that they can be used as an input device too! The Servo Record/Play Demo lets you record a series of servo movements, then it will replay them back for you! The recorded positions are saved in EEPROM, so they will be remembered even after resetting or powering down the Arduino

To run this demo, first wire up your Servo as in the Fritzing diagram below:

Components used:

- [Arduino Uno](http://adafru.it/50) (<http://adafru.it/50>)
- [Feedback Servo](http://adafru.it/1404) (<http://adafru.it/1404>)
- [2x pushbuttons](http://adafru.it/1119) (<http://adafru.it/1119>)
- [LED](http://adafru.it/299) (<http://adafru.it/299>)(most any 3 or 5mm led will work)
- 220 ohm resistor
- [Misc. jumpers](http://adafru.it/758) (<http://adafru.it/758>)
- [Breadboard](http://adafru.it/64) (<http://adafru.it/64>)



Next, download the example sketch from Github using this button:

```
// SPDX-FileCopyrightText: 2018 Limor Fried for Adafruit Industries
//
// SPDX-License-Identifier: MIT

// Example code for recording and playing back servo motion with a
// analog feedback servo
// http://www.adafruit.com/products/1404

#include <Servo.h>
#include <EEPROM.h>

#define CALIB_MAX 512
#define CALIB_MIN 100
#define SAMPLE_DELAY 25 // in ms, 50ms seems good

uint8_t recordButtonPin = 12;
uint8_t playButtonPin = 7;
uint8_t servoPin = 9;
uint8_t feedbackPin = A0;
uint8_t ledPin = 13;

Servo myServo;

void setup() {
  Serial.begin(9600);
  pinMode(recordButtonPin, INPUT);
  digitalWrite(recordButtonPin, HIGH);
  pinMode(playButtonPin, INPUT);
  digitalWrite(playButtonPin, HIGH);
  pinMode(ledPin, OUTPUT);

  Serial.println("Servo RecordPlay");
}

void loop() {
  if (!digitalRead(recordButtonPin)) {
    delay(10);
    // wait for released
    while (!digitalRead(recordButtonPin));
    delay(20);
```

```

    // OK released!
    recordServo(servoPin, feedbackPin, recordButtonPin);
}

if (! digitalRead(playButtonPin)) {
    delay(10);
    // wait for released
    while (! digitalRead(playButtonPin));
    delay(20);
    // OK released!
    playServo(servoPin, playButtonPin);
}
}

void playServo(uint8_t servoPin, uint8_t buttonPin) {
    uint16_t addr = 0;
    Serial.println("Playing");

    myServo.attach(servoPin);
    while (digitalRead(buttonPin)) {
        uint8_t x = EEPROM.read(addr);
        Serial.print("Read EE: "); Serial.print(x);
        if (x == 255) break;
        // map to 0-180 degrees
        x = map(x, 0, 254, 0, 180);
        Serial.print(" -> "); Serial.println(x);
        myServo.write(x);
        delay(SAMPLE_DELAY);
        addr++;
        if (addr == 512) break;
    }
    Serial.println("Done");
    myServo.detach();
    delay(250);
}

void recordServo(uint8_t servoPin, uint8_t analogPin, uint8_t buttonPin) {
    uint16_t addr = 0;

    Serial.println("Recording");
    digitalWrite(ledPin, HIGH);

    pinMode(analogPin, INPUT);
    while (digitalRead(buttonPin)) {
        uint16_t a = analogRead(analogPin);

        Serial.print("Read analog: "); Serial.print(a);
        if (a < CALIB_MIN) a = CALIB_MIN;
        if (a > CALIB_MAX) a = CALIB_MAX;
        a = map(a, CALIB_MIN, CALIB_MAX, 0, 254);
        Serial.print(" -> "); Serial.println(a);
        EEPROM.write(addr, a);
        addr++;
        if (addr == 512) break;
        delay(SAMPLE_DELAY);
    }
    if (addr != 512) EEPROM.write(addr, 255);

    digitalWrite(ledPin, LOW);

    Serial.println("Done");
    delay(250);
}

```

To run the Servo Record/Play Demo Sketch:

1. Upload servo_recordplay to the arduino
2. press the top button to start recording. (The LED should light up.)
3. Press the top button once more to stop recording.
4. Press the bottom button to replay.
5. You can press the green button as many times as you want.
6. To record a new sequence, go back to step 2.

Watch the video below to see it in operation:

You can record up to 512 samples (about 12.8 seconds worth). When you reach the limit, the led will go out and recording will stop automatically.

Using With CircuitPython

All of the general discussion from the previous sections still apply. Here we simply provide [CircuitPython \(\)](#) versions of the Arduino examples.

For the basics on using servos with CircuitPython, checkout the information in the Essentials guide:

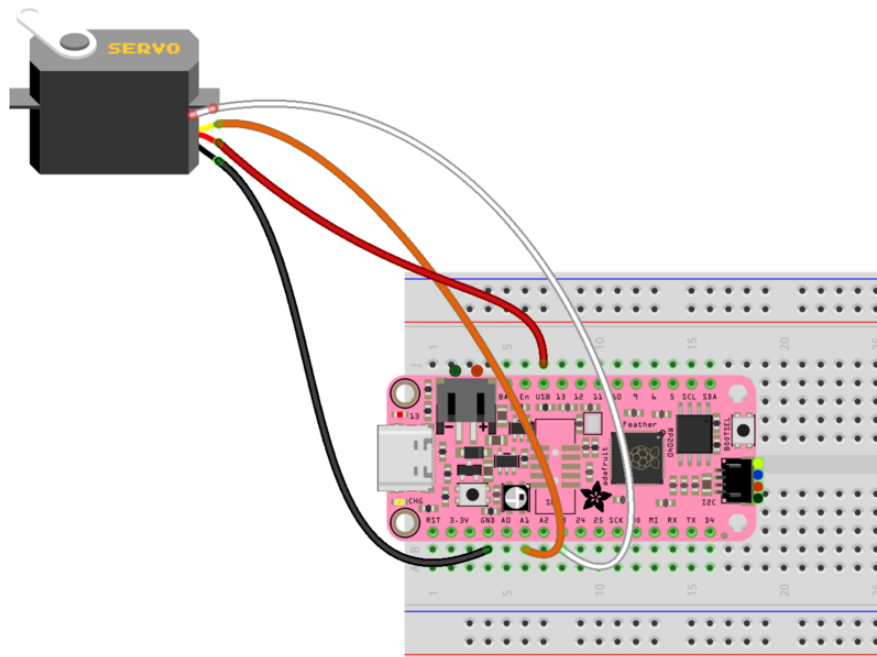
[CircuitPython Servo](#)

The following examples show usage with a [Feather RP2040 \(\)](#) and the code is written for the pins shown. Use with a different CircuitPython board should be possible, but may require updating the code for the specific pins used.

Wiring

The example codes are based on the wiring shown below for connecting the servo:

- SERVO POWER wire to USB
- SERVO GROUND wire to GND
- SERVO SIGNAL wire to A1
- SERVO FEEDBACK (WHITE) wire to A3



Reading the feedback

The basic mechanism is the same as before - simply connect the feedback to an analog input and read the value. To learn more about reading analog inputs, see the Essentials guide:

[CircuitPython Analog In](#)

All that is needed is to setup an analog input and get its value. Here's a simple code snippet that does that:

```
FEEDBACK_PIN = board.A3
feedback = AnalogIn(FEEDBACK_PIN)
position = feedback.value
```

The examples that follow will show this in more detail.

Calibrating The Feedback

You can use the program below to help determine the feedback values that correspond to your servo's range of motion.

If you want to calibrate over a difference angle range, change these lines at the top. However, 0 and 180 are the maximum limits.

```
# Calibration setup
ANGLE_MIN = 0
ANGLE_MAX = 180
```

When the code runs, it will print out the analog reading values that correspond to the min/max angles. Write these values down - they'll be used in the other examples.

```
# SPDX-FileCopyrightText: 2023 Carter Nelson for Adafruit Industries
#
# SPDX-License-Identifier: MIT

# Example code for calibrating analog feedback values to servo range

import time
import board
import pwmio
from analogio import AnalogIn
from adafruit_motor import servo

# Pin setup
SERVO_PIN = board.A1
FEEDBACK_PIN = board.A3

# Calibration setup
ANGLE_MIN = 0
ANGLE_MAX = 180

# Setup servo
pwm = pwmio.PWMOut(SERVO_PIN, duty_cycle=2 ** 15, frequency=50)
servo = servo.Servo(pwm)
servo.angle = None

# Setup feedback
feedback = AnalogIn(FEEDBACK_PIN)

print("Servo feedback calibration.")

# Helper function to average analog readings
def read_feedback(samples=10, delay=0.01):
    reading = 0
    for _ in range(samples):
        reading += feedback.value
        time.sleep(delay)
    return int(reading/samples)

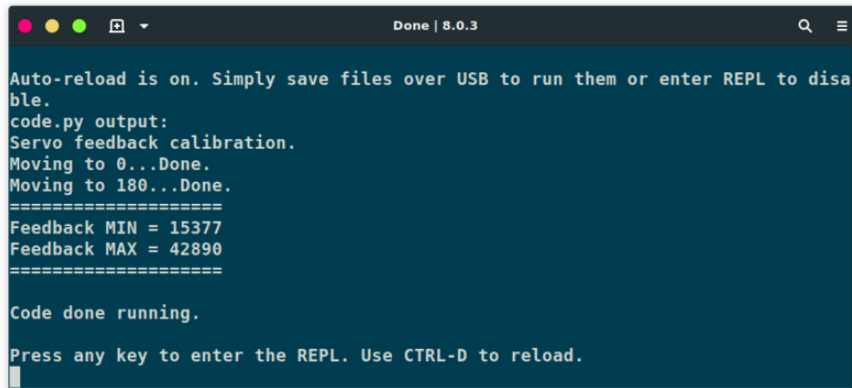
# Move to MIN angle
print("Moving to {}".format(ANGLE_MIN), end="")
servo.angle = ANGLE_MIN
time.sleep(2)
print("Done.")
feedback_min = read_feedback()

# Move to MAX angle
print("Moving to {}".format(ANGLE_MAX), end="")
servo.angle = ANGLE_MAX
time.sleep(2)
print("Done.")
feedback_max = read_feedback()

# Print results
print("="*20)
print("Feedback MIN = {}".format(feedback_min))
print("Feedback MAX = {}".format(feedback_max))
print("="*20)
```

```
# Deactivate servo
servo.angle = None
```

When the code runs, it will print out the analog reading values that correspond to the min/max angles.

A screenshot of a terminal window with a dark blue background and white text. The window title is "Done | 8.0.3". The text in the terminal reads: "Auto-reload is on. Simply save files over USB to run them or enter REPL to disable." followed by "code.py output:", "Servo feedback calibration.", "Moving to 0...Done.", "Moving to 180...Done.", "=====", "Feedback MIN = 15377", "Feedback MAX = 42890", "=====", "Code done running.", and "Press any key to enter the REPL. Use CTRL-D to reload.".

```
Auto-reload is on. Simply save files over USB to run them or enter REPL to disable.
code.py output:
Servo feedback calibration.
Moving to 0...Done.
Moving to 180...Done.
=====
Feedback MIN = 15377
Feedback MAX = 42890
=====
Code done running.
Press any key to enter the REPL. Use CTRL-D to reload.
```

In the output above, the two values of interest are 15377 and 42890. Write these values down - they'll be used in the other examples.

Finding and Seeking

This example shows how to find the current position and use that to "seek" to a specific angle. Be sure to run the calibration program from the previous section first and change these lines at the top of the code with your servo's values:

```
# Calibration setup
CALIB_MIN = 15377
CALIB_MAX = 42890
```

If you calibrated over a different range of angles, also change those lines to match.

Here's the complete code listing:

```
# SPDX-FileCopyrightText: 2023 Carter Nelson for Adafruit Industries
#
# SPDX-License-Identifier: MIT

# Example code for using analog feedback value to seek a position
import time
import board
import pwmio
from analogio import AnalogIn
from simpleio import map_range
from adafruit_motor import servo

# Demo angles
angles = [0, 180, 0, 45, 180]
```

```

# Pin setup
SERVO_PIN = board.A1
FEEDBACK_PIN = board.A3

# Calibration setup
CALIB_MIN = 15377
CALIB_MAX = 42890
ANGLE_MIN = 0
ANGLE_MAX = 180

# Setup servo
pwm = pwmio.PWMOut(SERVO_PIN, duty_cycle=2 ** 15, frequency=50)
servo = servo.Servo(pwm)
servo.angle = None

# Setup feedback
feedback = AnalogIn(FEEDBACK_PIN)

def get_position():
    '''Turns analog feedback raw ADC value into angle.'''
    return map_range(feedback.value, CALIB_MIN, CALIB_MAX, ANGLE_MIN, ANGLE_MAX)

def seek_position(position, tolerance=2):
    '''Move to specified angle and wait until move is complete.'''
    servo.angle = position

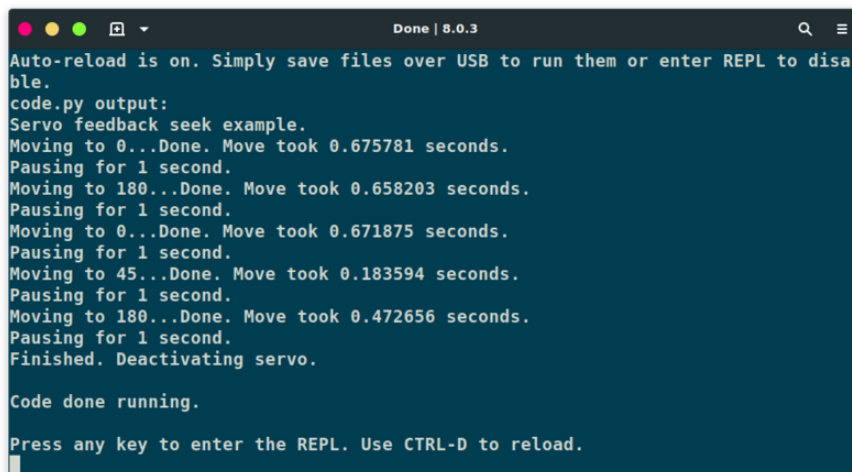
    while abs(get_position() - position) > tolerance:
        pass

print("Servo feedback seek example.")
for angle in angles:
    print("Moving to {}...".format(angle), end="")
    start = time.monotonic()
    seek_position(angle)
    end = time.monotonic()
    print("Done. Move took {} seconds.".format(end-start))
    print("Pausing for 1 second.")
    time.sleep(1)

# Deactivate servo
print("Finished. Deactivating servo.")
servo.angle = None

```

When the code runs, the servo will move to the specified angles. The amount of time it took to get there will also be shown.



```

Auto-reload is on. Simply save files over USB to run them or enter REPL to disable.
code.py output:
Servo feedback seek example.
Moving to 0...Done. Move took 0.675781 seconds.
Pausing for 1 second.
Moving to 180...Done. Move took 0.658203 seconds.
Pausing for 1 second.
Moving to 0...Done. Move took 0.671875 seconds.
Pausing for 1 second.
Moving to 45...Done. Move took 0.183594 seconds.
Pausing for 1 second.
Moving to 180...Done. Move took 0.472656 seconds.
Pausing for 1 second.
Finished. Deactivating servo.

Code done running.

Press any key to enter the REPL. Use CTRL-D to reload.

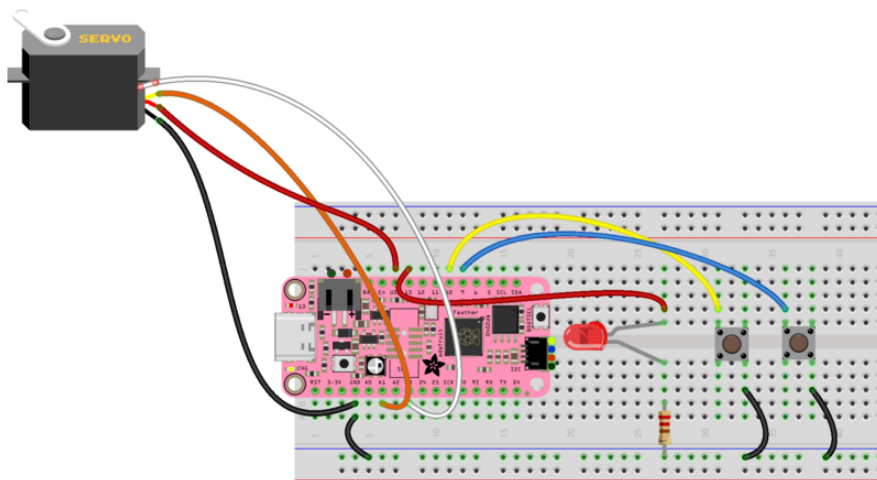
```

Servo Record and Play

This example will let you record servo positions that you manually move to and then play them back. A few extra hardware items are needed:

- 2x push buttons
- 1x LED, any color
- 1x resistor, 220ohm (or anything higher)

Here's a Fritzing diagram of the wiring setup.



Button functions are:

- Left button (yellow wire) - start/stop recording. The LED will be ON during recording.
- Right button (blue wire) - start/stop play back of recorded positions.

Be sure to run the calibration program first and change these lines at the top of the code with your servo's values.

```
# Record setup
CALIB_MIN = 15377
CALIB_MAX = 42890
```

Here's the complete code listing:

```
# SPDX-FileCopyrightText: 2023 Carter Nelson for Adafruit Industries
#
# SPDX-License-Identifier: MIT
```

```

# Example code for recording and playing back servo motion with a
# analog feedback servo
# pylint: disable=redefined-outer-name

import time
import board
import pwmio
import keypad
from simpleio import map_range
from adafruit_motor import servo
from analogio import AnalogIn
from digitalio import DigitalInOut, Direction

# Pin setup
RECORD_PIN = board.D10
PLAY_PIN = board.D9
LED_PIN = board.D13
SERVO_PIN = board.A1
FEEDBACK_PIN = board.A3

# Record setup
CALIB_MIN = 15377
CALIB_MAX = 42890
ANGLE_MIN = 0
ANGLE_MAX = 180
SAMPLE_COUNT = 512
SAMPLE_DELAY = 0.025

# Setup buttons
buttons = keypad.Keys((RECORD_PIN, PLAY_PIN), value_when_pressed=False, pull=True)

# Setup LED
led = DigitalInOut(LED_PIN)
led.direction = Direction.OUTPUT
led.value = False

# Setup servo
pwm = pwmio.PWMOut(SERVO_PIN, duty_cycle=2 ** 15, frequency=50)
servo = servo.Servo(pwm)
servo.angle = None

# Setup feedback
feedback = AnalogIn(FEEDBACK_PIN)

# Servo positions stored here
position = [None]*SAMPLE_COUNT

print("Servo RecordPlay")

def play_servo():
    print("Playing...", end="")
    count = 0
    while True:
        print(".", end="")
        event = buttons.events.get()
        if event:
            if event.pressed and event.key_number == 1:
                break
            angle = position[count]
            if angle is None:
                break
            servo.angle = angle
            count += 1
            if count >= SAMPLE_COUNT:
                break
            time.sleep(SAMPLE_DELAY)
    print("Done.")
    servo.angle = None
    time.sleep(0.250)

```

```

def record_servo():
    for i in range(len(position)):
        position[i] = None
    servo.angle = None
    led.value = True
    print("Recording...", end="")
    count = 0
    while True:
        print(".", end='')
        event = buttons.events.get()
        if event:
            if event.pressed and event.key_number == 0:
                break
            position[count] = map_range(feedback.value, CALIB_MIN, CALIB_MAX, ANGLE_MIN,
ANGLE_MAX)
            count += 1
            if count >= SAMPLE_COUNT:
                break
            time.sleep(SAMPLE_DELAY)
        led.value = False
        print("Done.")
        time.sleep(0.250)

while True:
    event = buttons.events.get()
    if event:
        if event.pressed:
            if event.key_number == 0:
                record_servo()
            elif event.key_number == 1:
                play_servo()

```

Once running, press and release the record button. Now grab the servo arm and move it around gently and not too fast. You can stop recording by pressing the record button again. Otherwise recording will continue until the entire record buffer is filled up.

To play back what you have recorded, simply press the play button.

