

| MATERIAL NO. | ENGINEERING NO. | FINISHED LENGTH | POLES | CABLE DIA. |
|--------------|-----------------|-----------------------|-------|-------------|
| 1300630040 | C03006A48M010 | 1 M (3 FT 3.37 IN) | 3 | 0.70 [17.8] |
| 1300630165 | C04006A48M500 | 50 M (164 FT 0.50 IN) | 4 | 0.78 [19.7] |
| 1300632012 | C04006A48M750 | 75 M (246 FT 0.76 IN) | 4 | 0.78 [19.7] |

CABLE LENGTH TOLERANCES

<.3M [1FT]: +19mm-0 [+.75in-0]

.3 - .9M [1 - 3FT]: +44.5mm-0 [+1.75in-0]

.9 - 1.8M [3 - 6FT]: +55.6mm-0 [+2.19in-0]

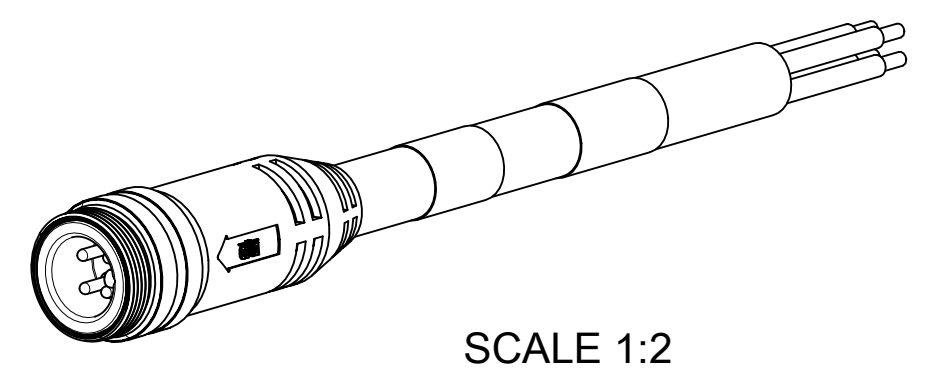
1.8 - 3.7M [6 - 12FT]: +88.9mm-0 [+3.50in-0]

3.7 - 7.3M [12 - 24FT]: +165.1mm-0 [+6.50in-0]

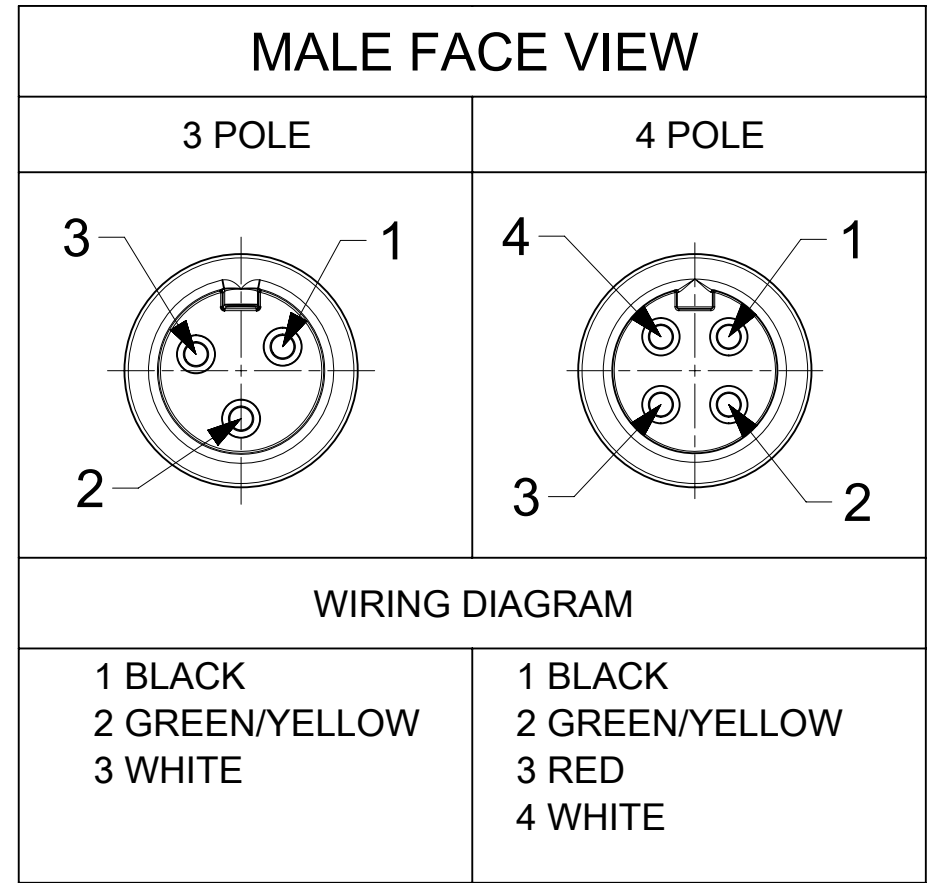
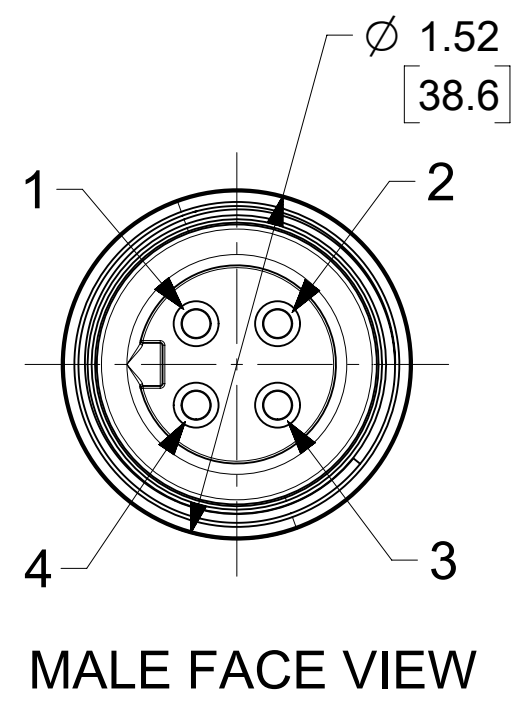
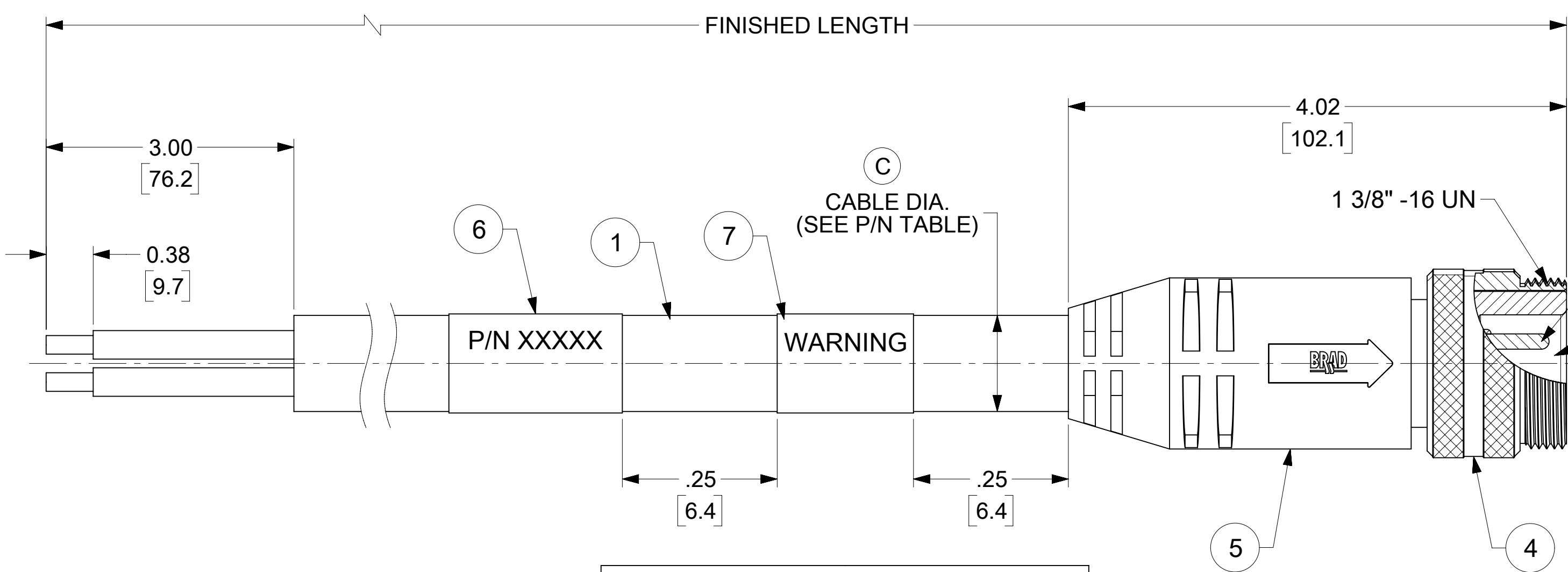
7.3-14.6M [24 - 48FT]: +317.5mm-0 [+12.50in-0]

14.6 - 30.5M [48-100FT]: +622.3mm-0 [+24.50in-0]

OVER 30M [100FT] +2% OF FINISHED LENGTH



SCALE 1:2



- NOTES:**
- MATERIAL: AS NOTED
 - FINISH: AS NOTED
 - ELECTRICAL:
VOLTAGE: 630V (3P) / 500V (4P) PER IEC60664
600V PER UL2237
CURRENT: 32A
 - TEMP RATING: -20°C TO +90°C (3P), +105°C (4P)
 - PROTECTION: IP67 (WHEN MATED)
 - UL LISTED FILE: E258922
 - ALL DIMS ARE FOR REFERENCE UNLESS TOLERANCED OR NOTED OTHERWISE

PART NUMBER LEGEND

C04006A48M020

FINISHED LENGTH
M005 = 0.5 METER
M010 = 1 METERS
M100 = 10 METERS

| ITEM | DESCRIPTION | MATERIAL | FINISH |
|------|----------------------------|------------|------------------|
| 7 | WARNING LABEL | VINYL | ORANGE/BLACK |
| 6 | WRAP LABEL | VINYL | BLACK/YELLOW |
| 5 | OVERMOLD | TPE | GRAY |
| 4 | COUPLING NUT | ALUMINIUM | CLEAR ANODIZE |
| 3 | PIN CONTACT | Cu ALLOY | GOLD OVER NICKEL |
| 2 | MALE INSERT | TPE | BLACK |
| 1 | CABLE, #10/3-4 TC-ER/STOOW | PVC JACKET | GRAY |
| ITEM | DESCRIPTION | MATERIAL | FINISH |

| | | | | | | | |
|--|---|---|--------------------------|---------------------------|----------------|--------------|----------|
| FUNCTIONAL SYMBOLS | THIS DRAWING CONTAINS INFORMATION THAT IS PROPRIETARY TO MOLEX ELECTRONIC TECHNOLOGIES, LLC AND SHOULD NOT BE USED WITHOUT WRITTEN PERMISSION | CURRENT REV DESC: ADDED NOTES, BOM, ITEM #2 & 5 WERE PVC, MATERIAL P/N TABLE & DIMS. CABLE DIA., TOL. CHART AND PART NUMBER LEGEND. | | molex | | | |
| | DIMENSION UNITS | SCALE | EC NO: 711366 | | | | |
| | INCH | 1:1 | DRWN: VHANDI 2021/07/08 | | | | |
| | GENERAL TOLERANCES (UNLESS SPECIFIED) | | CHK'D: RSTONE 2022/06/21 | | | | |
| DIVISIONAL SYMBOLS | 4 PLACES ± | MM | INCH | APPR: BWOODMAN 2022/06/24 | | | |
| | 3 PLACES ± | | | INITIAL REVISION: | | | |
| | 2 PLACES ± | | | DRWN: B.RUPERT 2010/01/12 | | | |
| | 1 PLACE ± | | | APPR: JFMURPHY 2010/01/15 | | | |
| 0 PLACES ± | | | | DOCUMENT NUMBER | DOC TYPE | DOC PART | REVISION |
| ANGULAR TOL ± ° | | | | SD-130063-042 | PSD | 001 | C |
| DRAFT WHERE APPLICABLE MUST REMAIN WITHIN DIMENSIONS | THIRD ANGLE PROJECTION | DRAWING | SERIES | MATERIAL NUMBER | CUSTOMER | SHEET NUMBER | |
| | | C-SIZE | 130063 | SEE TABLE | GENERAL MARKET | 1 OF 1 | |