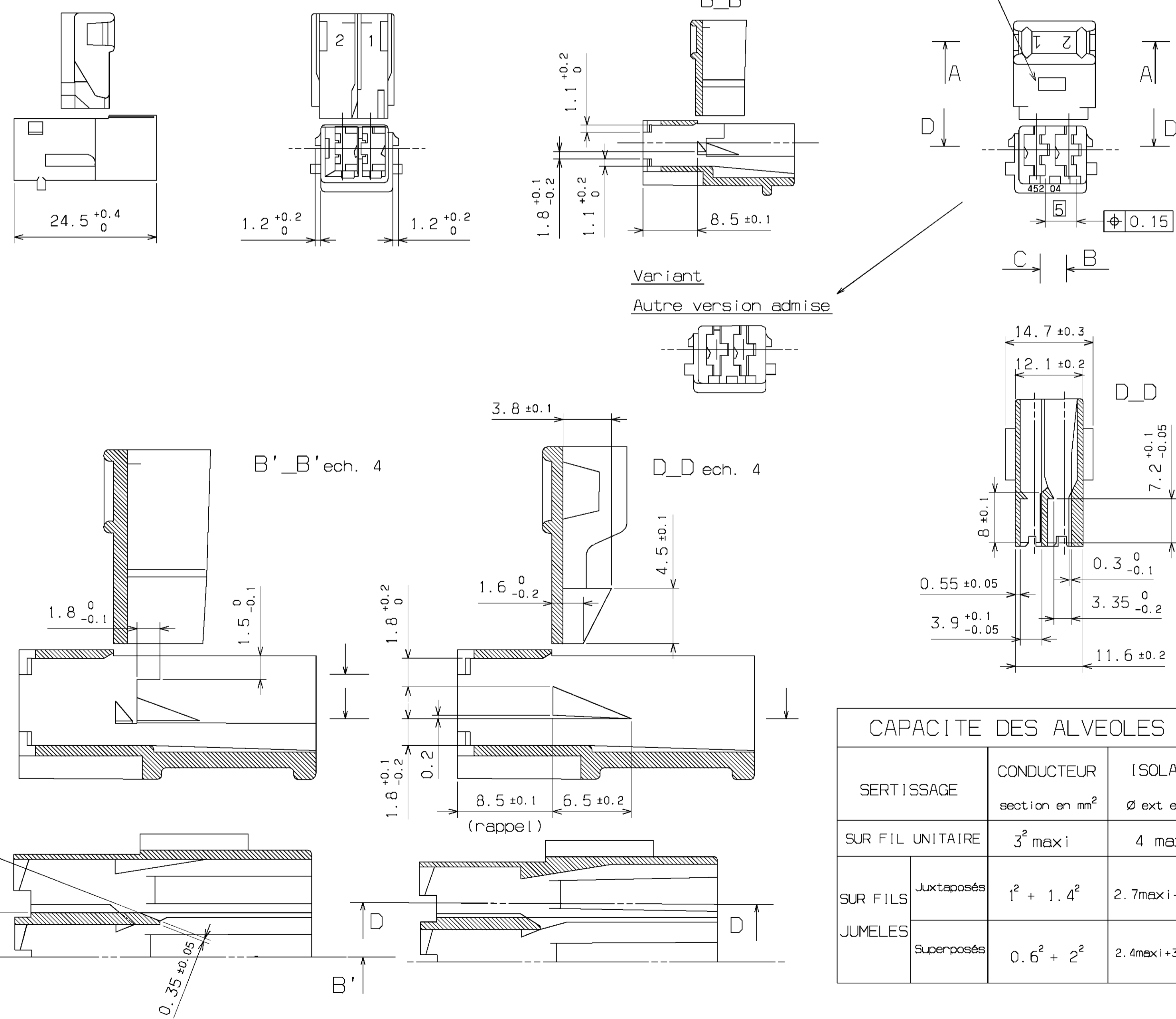
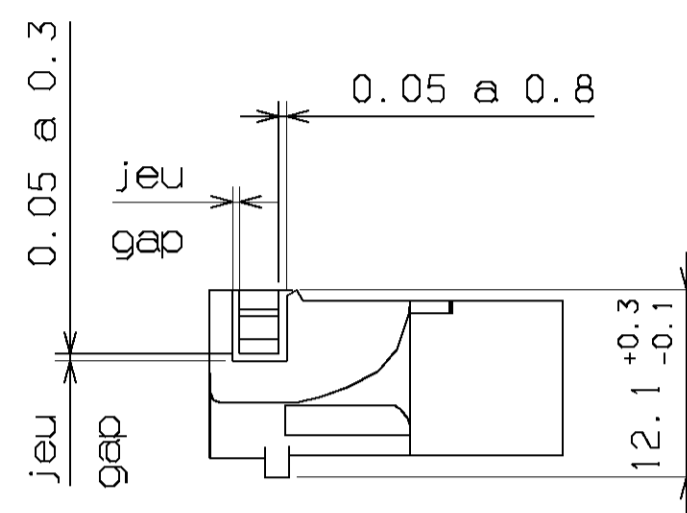


AUTRE VERSION ADMISE
Variant

AUTRE VERSION ADMISE
Variant



NOTA
NOTE

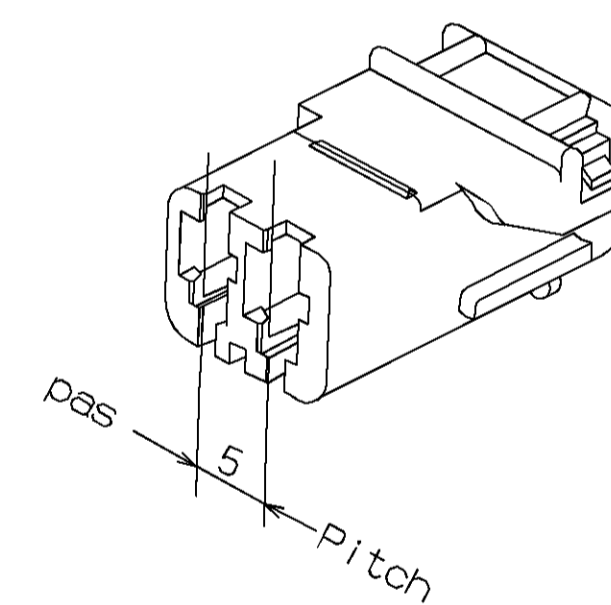
Cotes à contrôler sur pièces en état stabilisé à 2.5%±0.5% de teneur en eau.

Measurements to check on parts in a stabilized state of 2.5%±0.5% of water absorption.

Connexions à employer
Use terminals

- 0988901011
- 0988901012
- 0988901013
- 0988901014
- 0988951011
- 0988952011
- 0988951012
- 0988952012
- 0988951013
- 0988952013
- 0988951014
- 0988952014

REFERENCE Part No.	COULEUR Color	Mat i ère/Material
0989361020	Blanc White	PA 6.6
0989361021	Noir Black	PA 6.6
0989361022	Rouge Red	PA 6.6
0989361024	Jaune Yellow	PA 6.6
0989361029	Marron Brown	PA 6.6



SERTISSAGE	CONDUCTEUR section en mm ²	ISOLANT ø ext en mm
SUR FIL UNITAIRE	3 ² maxi	4 maxi
SUR FILS Juxtaposés	1 ² + 1.4 ²	2.7maxi+3maxi
JUMELÉS Superposés	0.6 ² + 2 ²	2.4maxi+3.2maxi

ENTER DESCRIPTION	DESCRIPTION
EC NO: G2006-0100	
DRAWN: PBOUQUAIN 2005/10/05	
CHK: KO: JDUCLLOS 2005/10/05	
APPR: LST ICKE IR 2005/10/05	
REV	
M1	

GENERAL TOLERANCES (UNLESS SPECIFIED)	
mm	INCH
4 PLACES ±	±
3 PLACES ±	±
2 PLACES ± 0.1	±
1 PLACE ± 0.1	±
ANGULAR ± 2°	

DIMENSION STYLE	SCALE	DESIGN UNITS	FIRST ANGLE PROJECTION
MM ONLY	2:1	METRIC	
DRAWN BY HE	DATE 81/06/12	TITLE CSP5 RCPT HSG W/ CAP PA6/6 2CKT	
CHECKED BY JLD	DATE 05/09/23	APPROVED BY LST	
MATERIAL NO. SEE CHART		DOCUMENT NO. SD-98936-002	SHEET NO. 1 OF 1
THIS DRAWING CONTAINS INFORMATION THAT IS PROPRIETARY TO MOLEX INCORPORATED AND SHOULD NOT BE USED WITHOUT WRITTEN PERMISSION			

FROM DRAWING P/N 452-22-... IND. N. 95/05/02
 Change part numbers, supplier logo and drawing frame 05/09/23
 Modif