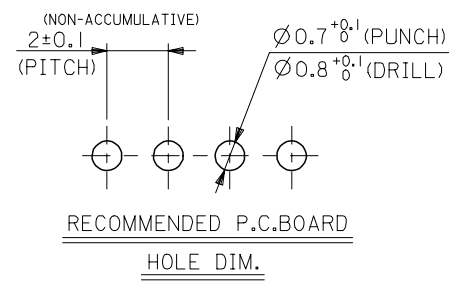
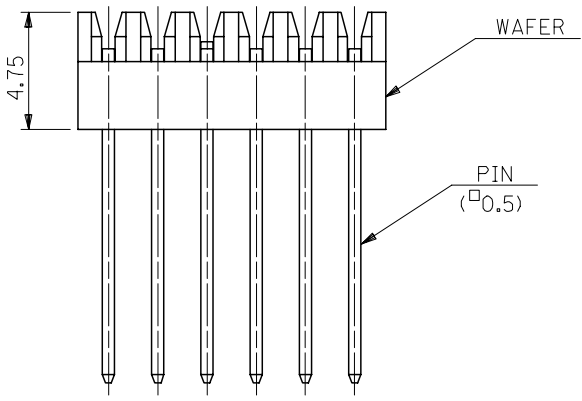
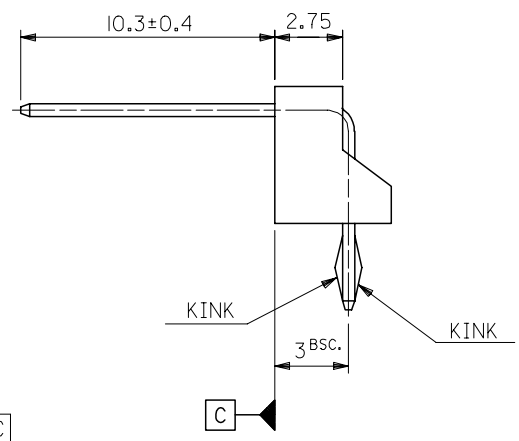
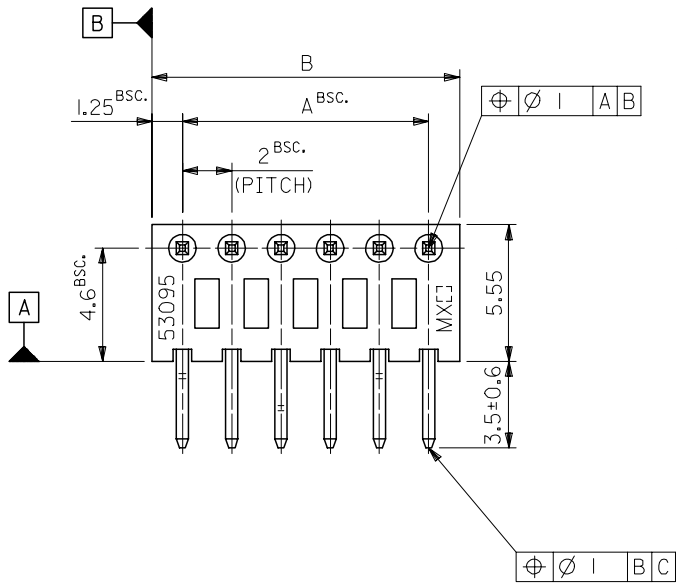


10 9 8 7 6 5 4 3 2 1

F
E
D
C
B
A



- NOTES:
- MATES WITH 52084-**10
 - KINK TO BE ADDED ON THE ODD NUMBER SOLDER TAILS ALTERNATERY FROM THE ENG.NO. SIDE.
 - MATERIAL
WAFER: 66NYLON , UL94V-0
PIN: BRASS , TIN OVER COPPER PLATING.



30.5	28	53095-1510	15
28.5	26	-1410	14
26.5	24	-1310	13
24.5	22	-1210	12
22.5	20	-1110	11
20.5	18	-1010	10
18.5	16	-0910	9
16.5	14	-0810	8
14.5	12	-0710	7
12.5	10	-0610	6
10.5	8	53095-0510	5
B	A	ENG. NO.	CKT.

REVISED EC NO: J2006-2675 DRWN: NABE 2006/04/25 CHKD: THARUYAMA 2006/04/26 APPR: NUKITA 2006/04/28	GENERAL TOLERANCES (UNLESS SPECIFIED)		DIMENSION STYLE MM ONLY		SCALE 5:1	DESIGN UNITS METRIC	THIRD ANGLE PROJECTION	
	10 UNDER	±0.2	DRAWN BY Y. MIZUNO	DATE '88/08/25	TITLE 2.0 PITCH B/B CONN WAFER ASSY R/A TYPE			
	10 OVER 30 UNDER	±0.25	CHECKED BY M. FUKUSHIMA	DATE '91/09/24				
	30 OVER	±0.3	APPROVED BY M. ENOMOTO	DATE '91/09/24	MOLEX INCORPORATED			
ANGULAR	±3 °	MATERIAL NO. SEE CHART		DOCUMENT NO. SD-53095-002				
DRAFT WHERE APPLICABLE MUST REMAIN WITHIN DIMENSIONS			SIZE A3		THIS DRAWING CONTAINS INFORMATION THAT IS PROPRIETARY TO MOLEX INCORPORATED AND SHOULD NOT BE USED WITHOUT WRITTEN PERMISSION			

10 9 8 7 6 5 4 3 2 1

F

F

E

E

D

D

C

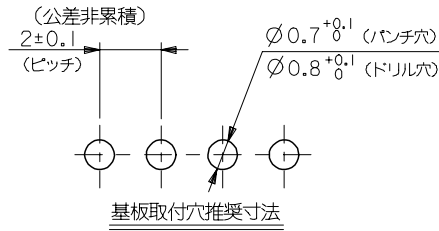
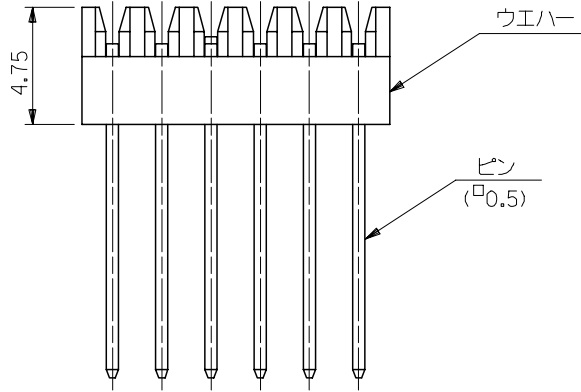
C

B

B

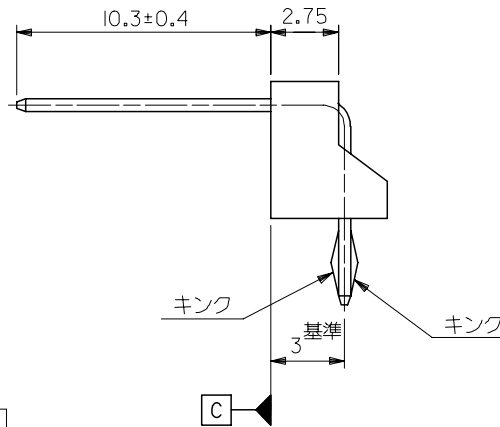
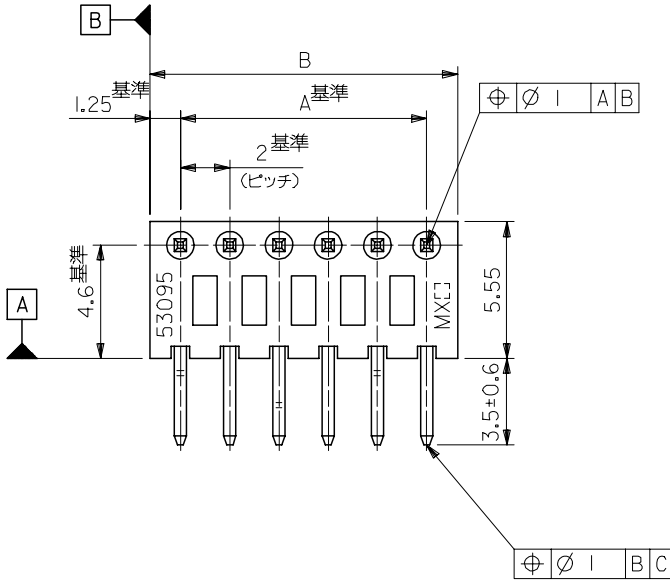
A

A



NOTES:

1. 嵌合相手: 52084-**10
2. ソルダータールキンクは 1ピンおきに交互に付加する。
3. 材料
ウエハー: 66ナイロン, UL94V-0
ピン: 黄銅, 銅下地錫メッキ



30.5	28	53095-1510	15
28.5	26	-1410	14
26.5	24	-1310	13
24.5	22	-1210	12
22.5	20	-1110	11
20.5	18	-1010	10
18.5	16	-0910	9
16.5	14	-0810	8
14.5	12	-0710	7
12.5	10	-0610	6
10.5	8	53095-0510	5
B	A	ENG. NO.	極数

REVISED EC NO: J2006-2675 DRWN: NABEI 2006/04/25 CHKD: THARUYAMA 2006/04/26 APPR: NUKITA 2006/04/28	GENERAL TOLERANCES (UNLESS SPECIFIED)		DIMENSION STYLE MM ONLY		SCALE 5:1	DESIGN UNITS METRIC	THIRD ANGLE PROJECTION	
	10 UNDER	± 0.2	DRAWN BY Y. MIZUNO	DATE '88/08/25	TITLE 2.0 PITCH B/B CONN WAFER ASSY R/A TYPE			
	10 OVER 30 UNDER	± 0.25	CHECKED BY M. FUKUSHIMA	DATE '91/10/21				
	30 OVER	± 0.3	APPROVED BY M. ENOMOTO	DATE '91/10/21	MOLEX INCORPORATED			
ANGULAR	± 3 °	MATERIAL NO. SEE CHART		DOCUMENT NO. SD-53095-003				
DRAFT WHERE APPLICABLE MUST REMAIN WITHIN DIMENSIONS			SIZE A3		THIS DRAWING CONTAINS INFORMATION THAT IS PROPRIETARY TO MOLEX INCORPORATED AND SHOULD NOT BE USED WITHOUT WRITTEN PERMISSION			

9

8

7

6

5

4

3

2