

MODEL:

SRW9UDP

SmartRack® Deep Wall-Mount Rack Enclosure



9 Rack Units



200 lb.
Load Rating



Removable
Side Panels



Standard 19"
Rack Width



Convenient
Cable Access



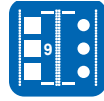
Adjustable
Mounting Rails



Ventilated for
Ample Airflow



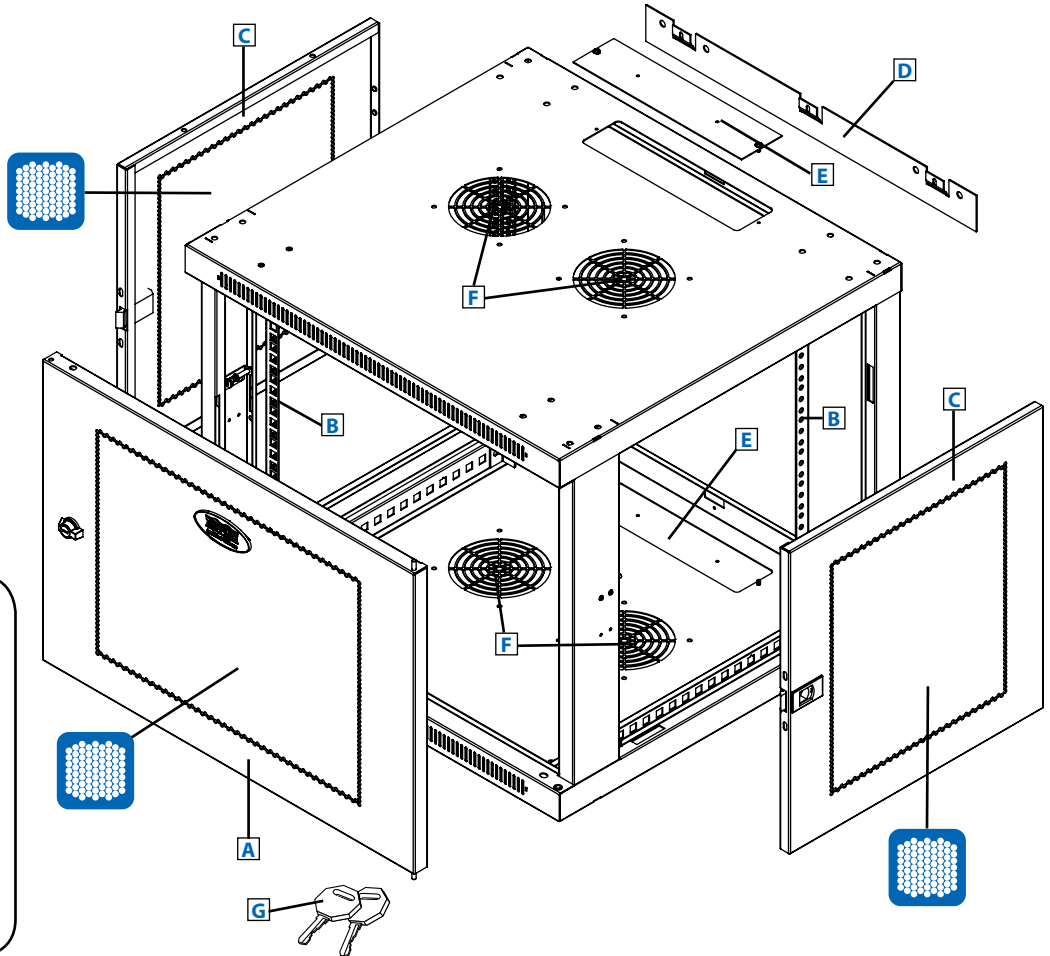
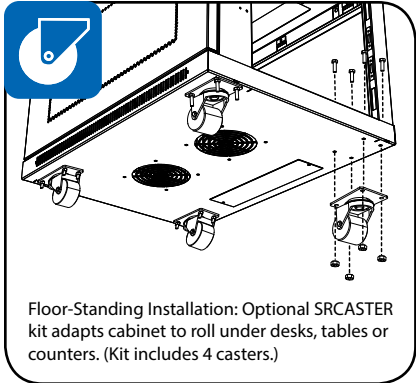
Reversible
Door



Square-Hole or
Threaded-Hole
Mounting

- A** Front Door
(Lockable/Removable/Reversible)
- B** Dual-Purpose Mounting Rails (4)
(Square- or Threaded-Hole Mounting)
- C** Side Panels (2)
(Lockable/Removable)
- D** Mounting Plate
(Removable. Includes mounting
hooks for cabinet.)
- E** Cable Access Port Covers (2)
(Removable)
- F** Ventilation Fan Ports (4)
(Support optional SRFANWM fan kit.)
- G** Keys (2)

Also Includes: Owner's manual, mounting plate screws (3), cabinet ground screw, pre-installed front door ground wire and rack-mount equipment mounting hardware (18 cage nuts, 18 mounting screws, 18 nylon cup washers).



- Wall-mount enclosures provide convenient, locking storage for rack-mount IT devices and other equipment that should be off the floor, out of the way and secure
- Reversible cabinet allows installers to reverse door swing by rotating the unit 180° before mounting
- Dual-purpose rails accommodate square-hole mounting or threaded-hole mounting

SEE NEXT PAGE FOR DETAILED UNIT MEASUREMENTS



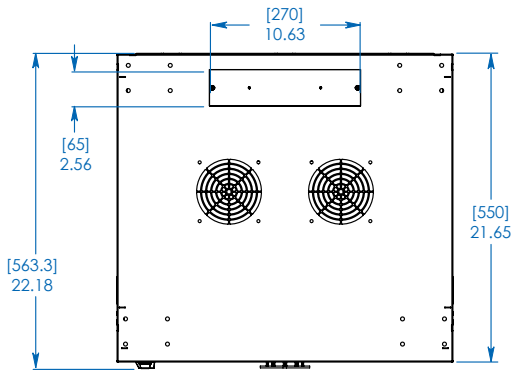
1111 W. 35th Street
Chicago, IL 60609 USA
773.869.1234
www.tripplite.com

Specifications

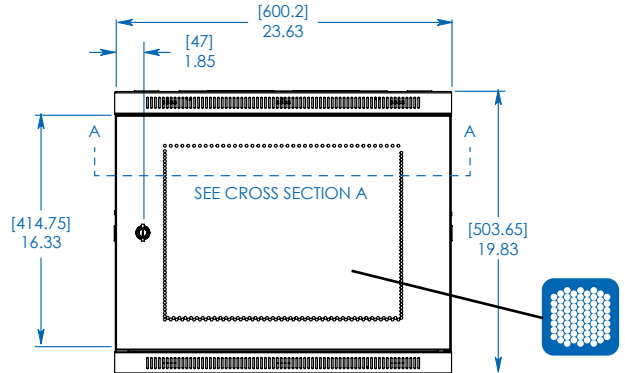
| | |
|---------------------------------|--|
| Model | SRW9UDP |
| Rack Spaces | 9U |
| Equipment Mounting Depth | Up to 20.5 in. / 521 mm |
| Load Rating* | 200 lb. / 90.7 kg |
| Unit Dimensions (H x W x D) | 19.83 x 23.62 x 21.71 in. / 504 x 600 x 552 mm |
| Shipping Dimensions (H x W x D) | 24.41 x 28.75 x 26.57 in. / 620 x 730 x 675 mm |
| Unit Weight | 51.8 lb. / 23.5 kg |
| Shipping Weight | 55.1 lb. / 25 kg |
| Standards | Tested to UL/EN 60950-1, IEC 60297-3-100, CSA, IP20, ECA/EIA-310-E, NOM, RoHS, PCI-DSS |

* The load rating includes the combined weight of the unit and installed equipment. The unit must be mounted to a stable surface with user-supplied anchors capable of bearing the full load.

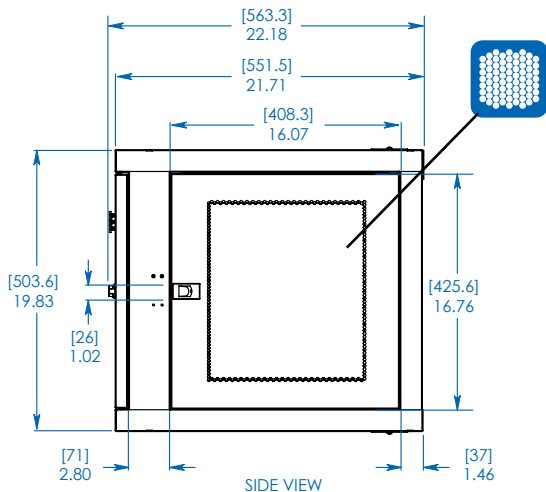




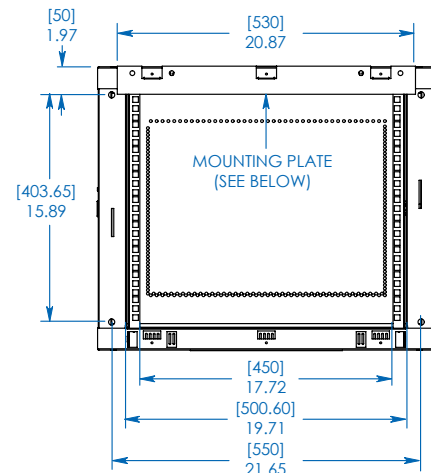
TOP/BOTTOM VIEW



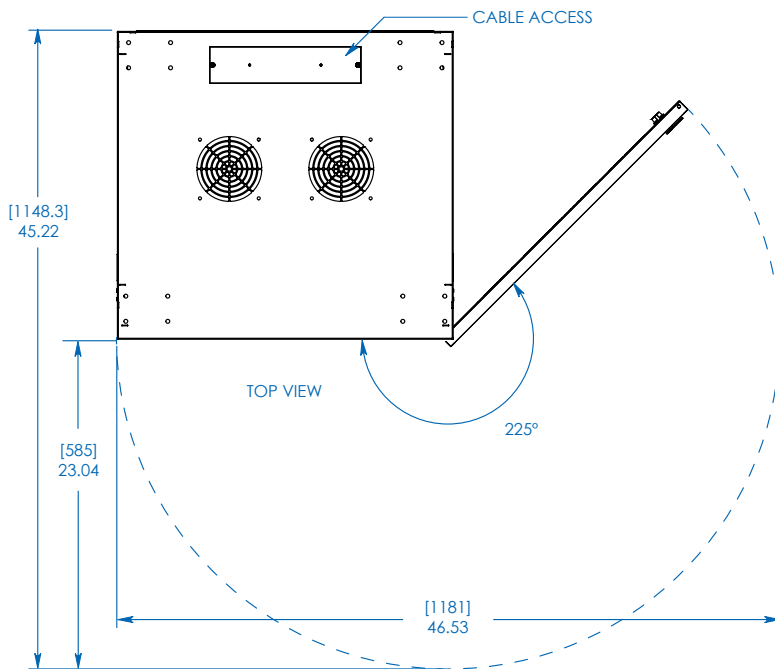
FRONT VIEW



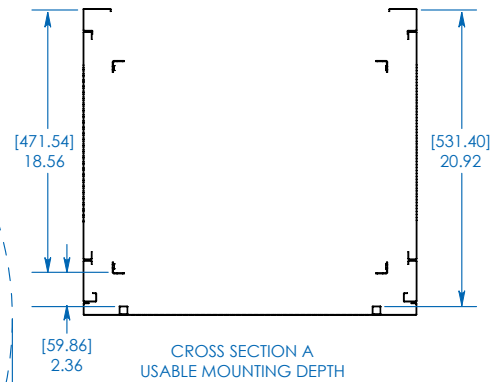
SIDE VIEW



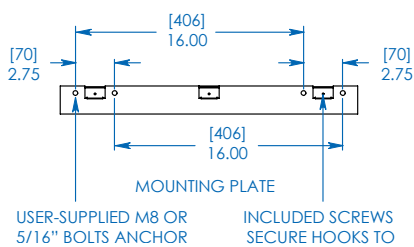
REAR VIEW



TOP VIEW



CROSS SECTION A
USABLE MOUNTING DEPTH



MOUNTING PLATE

USER-SUPPLIED M8 OR 5/16" BOLTS ANCHOR INCLUDED SCREWS SECURE HOOKS TO

MODEL:
SRW9UDP
TRIPP-LITE

1111 W. 35th Street
Chicago, IL 60609 USA
773.869.1234
www.tripplite.com

Dimensions: [mm] INCHES

Tripp Lite has a policy of continuous improvement. Specifications are subject to change without notice.