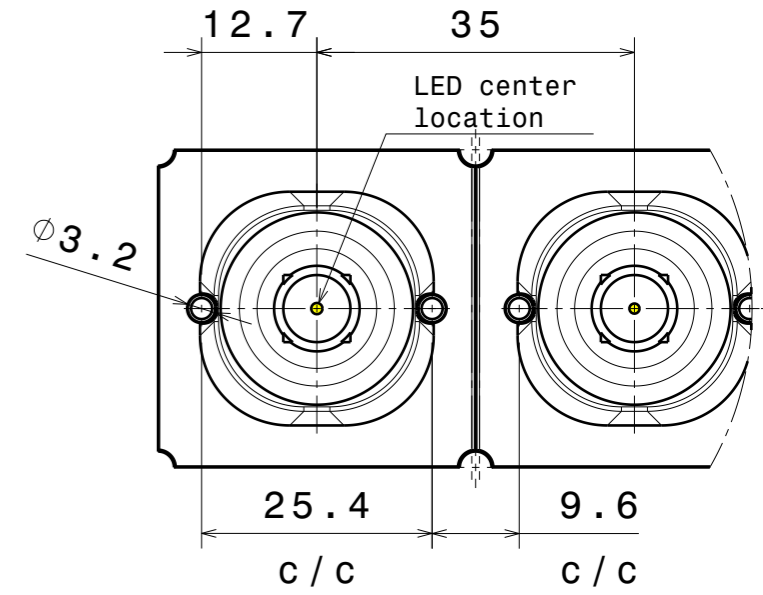
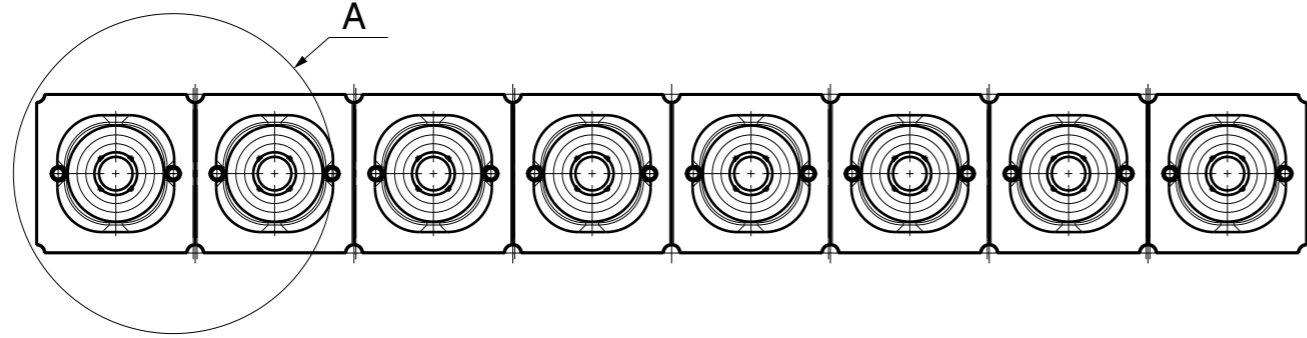
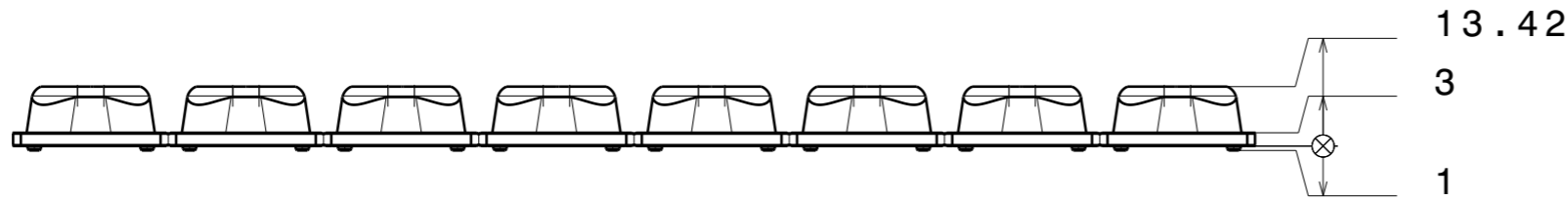


Bottom view

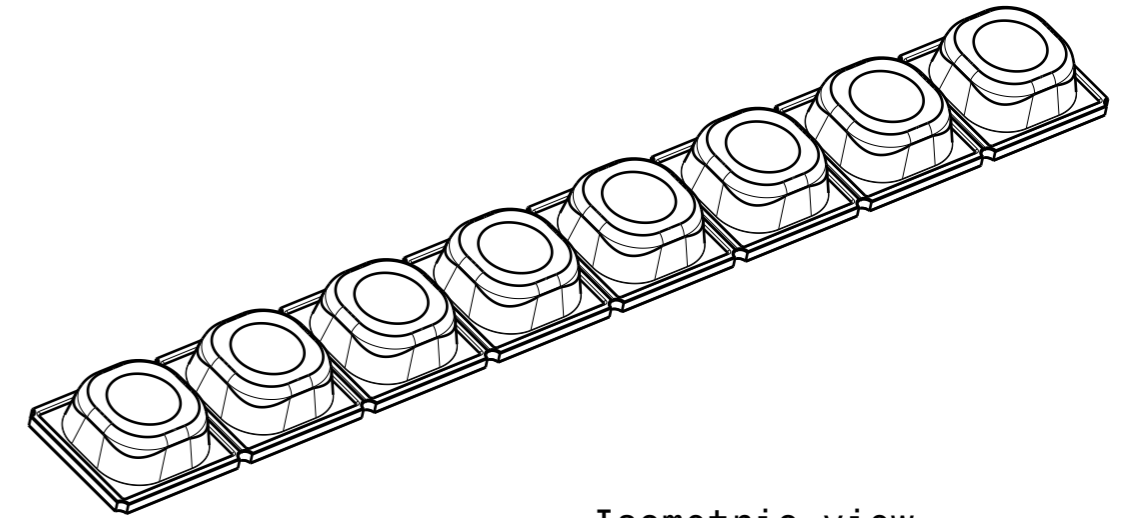
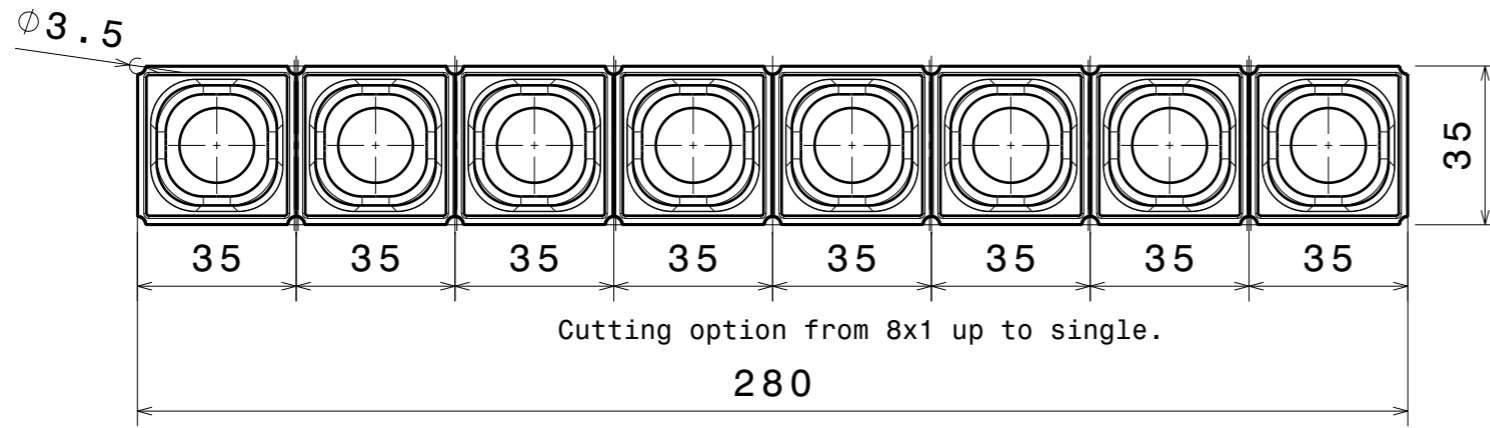


Detail A

Front view



Top view



Isometric view

INDEX	PART NO	DESCRIPTION	MATERIAL	COLOUR
1	F15555	JENNY-8X1-60	Silicone	Clear

Tolerances if not otherwise shown
 According to DIN ISO 2768-1
 Linear measures:
 Up to 30mm class M, otherwise class C.
 According to DIN ISO 2768-2
 Form and position: class L



LediL Oy
 Salorankatu 10
 FIN 24240 SALO
 Finland

THIRD ANGLE PROJECTION:

DRAWING TITLE
DATASHEET

This drawing is the property of LEDiL Oy. It may not be reproduced, copied or communicated without a written agreement with LEDiL Oy.

SIZE: **A3** PART NUMBER: **F15555 JENNY-8X1-60**

SCALE: WEIGHT: SHEET 1/1