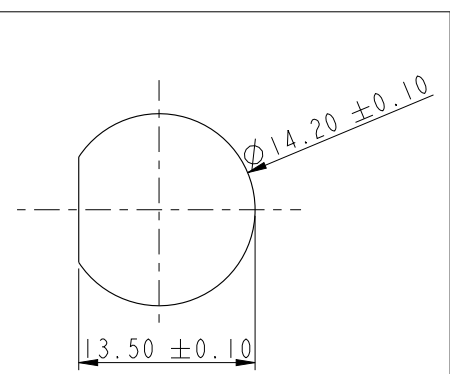
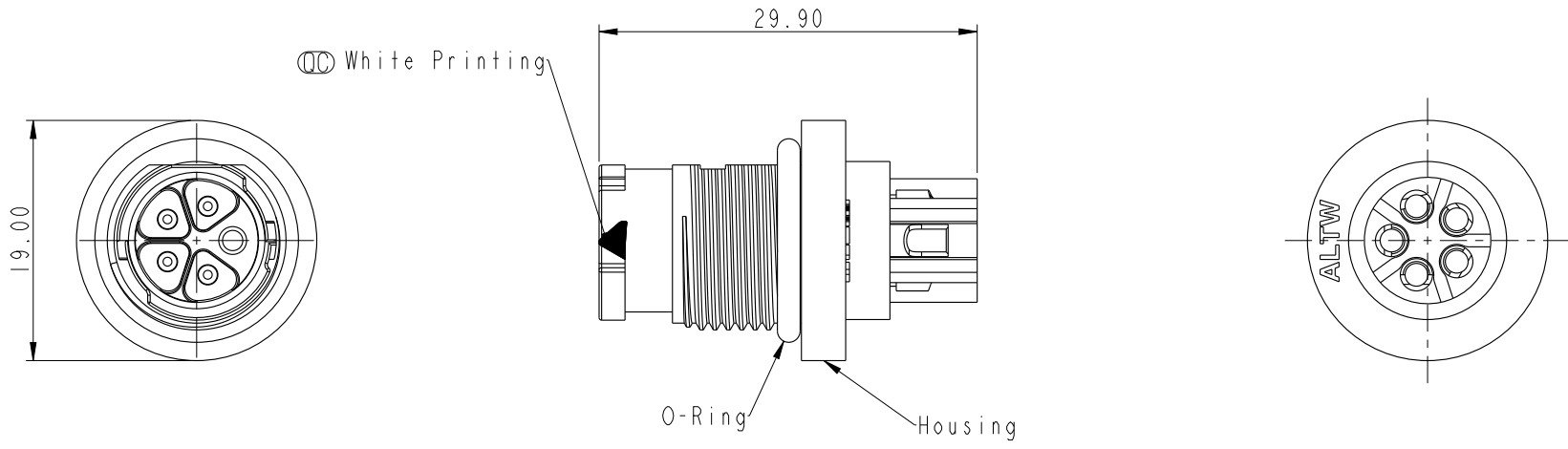
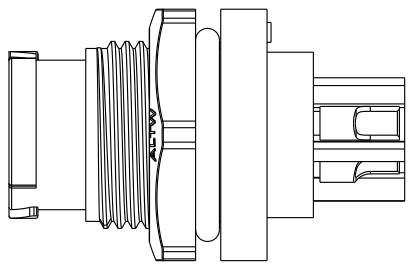


THIS DOCUMENT IS SUBJECT TO CHANGE WITHOUT NOTICE. IT IS CONFIDENTIAL AND A PROPERTY OF AMPHENOL LTW. DISCLOSURE TO THIRD PARTY HAS TO BE AUTHORIZED BY AMPHENOL LTW.

REV.	ECN NO.	DATE	SIGN	DESCRIPTION
B	C210383	2021-03-24	Ouyang	△ XI



Recommended Panel Cut-out

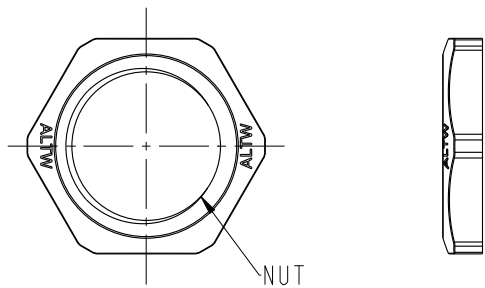


- Note: △
- * RoHS Compliant
 - * (⊕) Important Dimension
 - * Waterproof Rate: IPX8, Unmated 1m/24h
 - * Connector
 - Housing: Thermoplastic, Black
 - Pin: Copper Alloy, Gold Plated
 - * Nut: Metal / Thermoplastic, Black
 - * O-Ring: Rubber, Gray
 - * Use Without Waterproof Cap
 - Panel Thickness Max: 4.0mm
 - * Use With Waterproof Cap
 - Panel Thickness Max: 3.0mm
 - * Gasket and nut are packed separately in PE bag
 - * Nut is packed separately in PE bag
 - * O-Ring / Gasket and nut are assembled on connectors

UNIT: mm		TITLE X Lok A-Size Receptacle Front Fastened M Conn M Pin I6A		
TOLERANCE ±0.5mm		SCALE 1:1	SIZE A4	SHEET 1 OF 2
REV. B	WC-REV. .0	⊕: Inspection item		

Amphenol LTW
安費諾亮泰企業股份有限公司

ITEM NO.	DRAWN BY Ouyang	DATE 2021-01-23
DWG NO. AG-XXPMJS-QC800P	CHECKED BY Jerry	DATE 2021-01-23
CUSTOMER ALTW	APPROVED BY Fred	DATE 2021-01-23



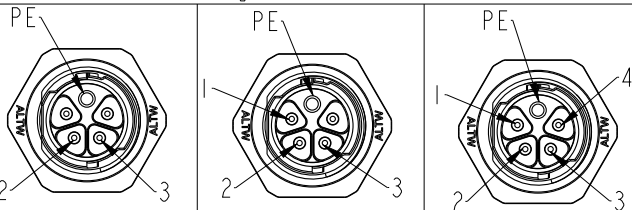
(AG) I6A _____ AG- XX P M J S- Q C 8 0 0 P

03: 3Pin _____
 04: 4Pin _____
 05: 5Pin _____

P: Front Fastened _____
 M: Male Connector (公座) _____
 J: Male Pin And Female grounding Pin _____

_____ 8: IP68 (防水等級68)
 _____ C: Circular Backshell
 _____ Q: Push Lock
 _____ S: Solder Type

Pin Assignments Front View



3Pin

4Pin

5Pin

UNIT:mm



TOLERANCE

±0.5mm

TITLE
 X Lok A-Size Receptacle
 Front Fastened M Conn M Pin I6A

SCALE 1:1

SIZE A4

SHEET 2 OF 2

REV. B

WC-REV. .0

QC: Inspection item

Amphenol LTW

安費諾亮泰企業股份有限公司

ITEM NO

DWG NO

CUSTOMER

AG-XXPMJS-QC800P

ALTW

DRAWN BY

CHECKED BY

APPROVED BY

Ouyang

Jerry

Fred

DATE

DATE

DATE

2020-09-07

2020-09-07

2020-09-07