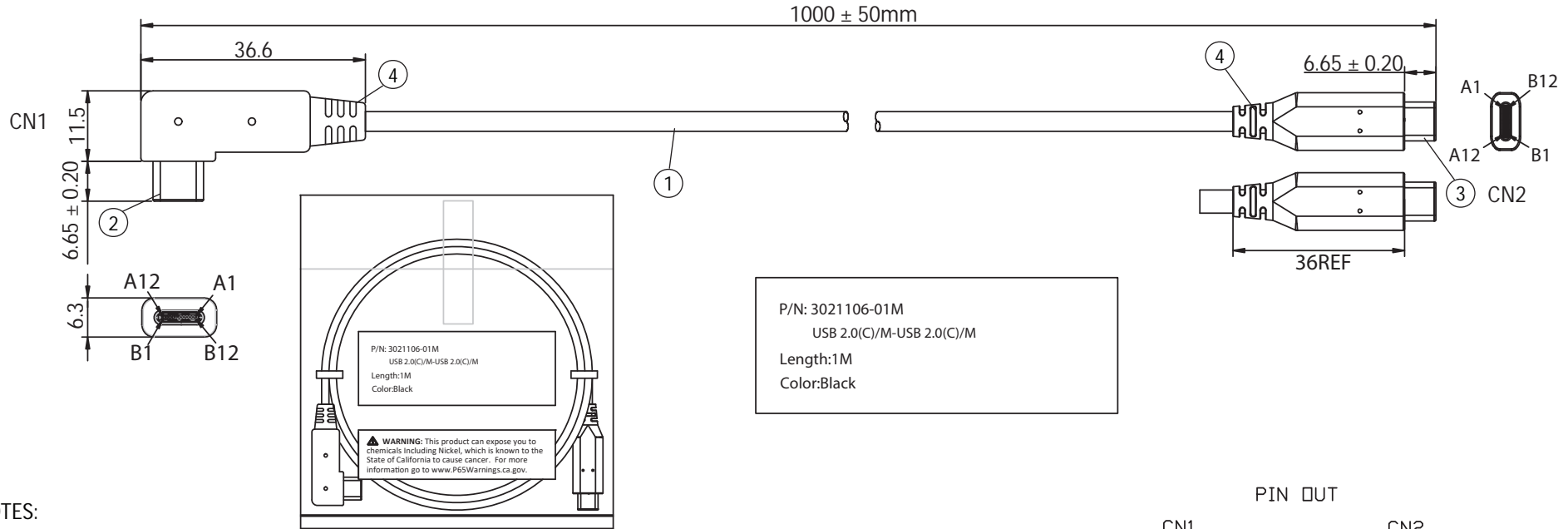


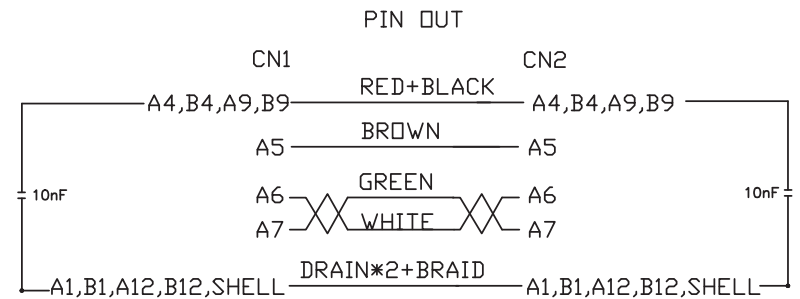
THESE DRAWINGS ARE THE PROPERTY OF QUALTEK ELECTRONICS AND NOT TO BE REPRODUCED FOR OR COMMUNICATED TO A THIRD PARTY WITHOUT THE EXPRESS WRITTEN PERMISSION OF AN OFFICER OF QUALTEK ELECTRONICS.

REVISION			
REV.	DESCRIPTION	DATE	APPROVED



NOTES:

- CABLE: UL 2725  
30AWGx1PR+34AWGx2C+26AWGx2C+A2EB (85%)  
PVC OUTER JACKET: BLACK, OD: 3.5 ± 0.2mm
- CONNECTOR: USB 2.0 TYPE C MALE  
INSULATOR: BLACK PBT  
PIN G/F  
NICKEL PLATED SHELL
- CONNECTOR: USB 2.0 TYPE C MALE  
INSULATOR: BLACK PBT  
PIN G/F  
NICKEL PLATED SHELL
- PVC MOLDED: 45P COLOR BLACK
- ELECTRICAL TEST:  
<1>.100% OPEN SHORT & MISS WIRE TEST  
<2>.HI-POT: 50V AC/0.01 SEC 50V DC/0.01 SEC  
<3>.INSULATION RESISTANCE: 10M OHM (MIN)  
<4>.CONDUCTIVE RESISTANCE: 2 OHM (MAX)  
<5>.CAPACITANCE DETECTION: 20nF ± 20% BETWEEN A1 AND A4
- DATA TRANSFER RATE UP TO 480Mbps (NOMINAL)
- CURRENT RATING UP TO 3A (NOMINAL)
- VOLTAGE RATING UP TO 5V (NOMINAL)
- PACKING: 1PC/POLYBAG W/ LABEL



**CONTROLLED**

Dim range (mm)	Tolerance +/- (mm)	Qualtek Electronics Corp. WCI DIVISION		
		Part Number: 3021106-01M	RoHS Compliant	
0-1	0.15	Description: USB 2.0(C)/M LEFT ANGLE - USB 2.0 (C)/M		
1-6	0.20			
6-18	0.30	UNIT: mm		
18-50	0.50			
50-120	0.70	Drawn / Date	Checked / Date	Approved / Date
120-250	0.90	R. Nuti 08-06-20	08-06-20	LY / 08-06-20
250-500	1.20			