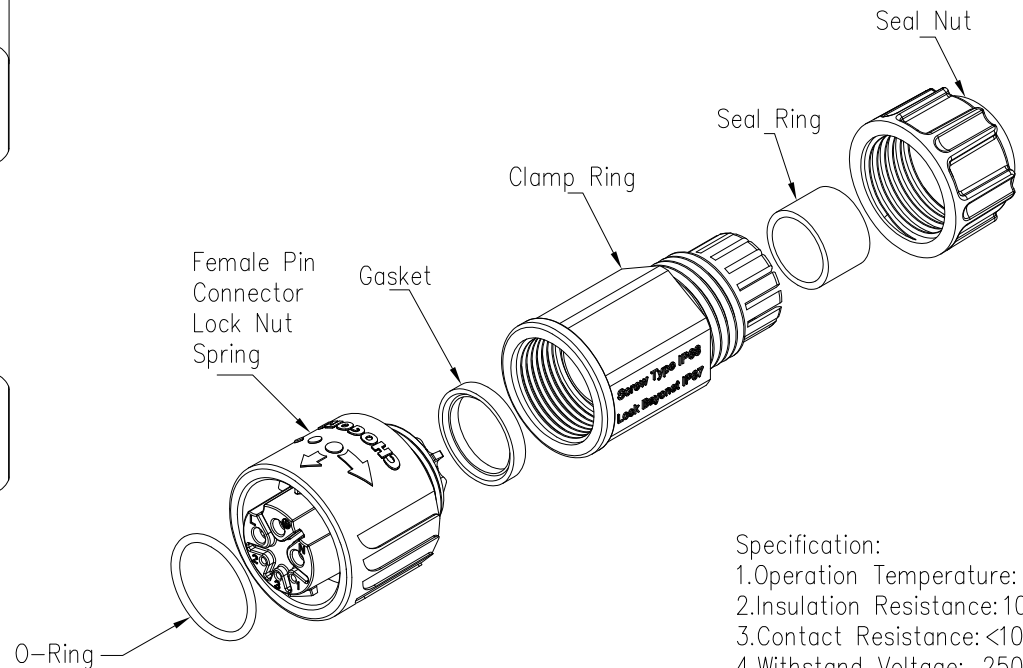
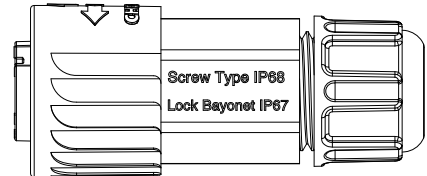
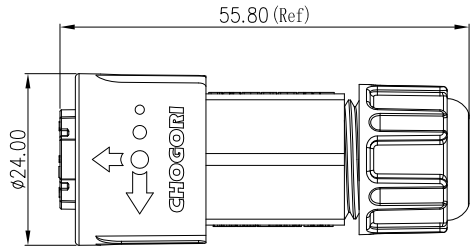
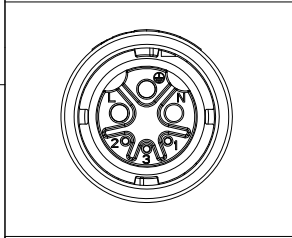
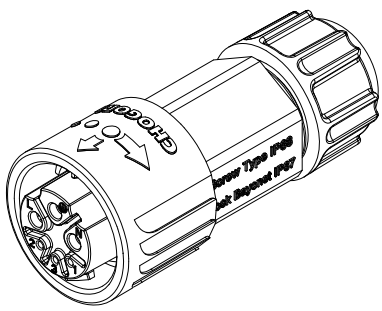


REV.	ECN NO.	DESCRIPTION	SIGN	DATE
C1	N/A	INITIAL DRAWING	Hary	2020/05/19



- Specification:
- 1.Operation Temperature: -45°C~105°C.
  - 2.Insulation Resistance:100MΩ at DC500V.
  - 3.Contact Resistance:<10mΩ.
  - 4.Withstand Voltage: 2500V AC
  - 5.Operating Current:20A/2A
  - 6.Operating Voltage:DC 250V
  - 7.Waterproof Rate:IP67 (Mated)
  - 8.Seal Nut:Nylon, Black
  - 9.Seal Ring:Silicon, Black.
  - 10.Clamp Ring:Nylon, Black
  - 11.Gasket:Silicon, Red
  - 12.Female Pin:Copper Alloy, Gold Plated
  - 13.Connector:Nylon+GF, Black
  - 14.Lock Nut:Nylon, Orange
  - 15.Spring:SUS
  - 16.O-Ring:Silicon, Red
  - 17.RoHS Compliant.
  - 18.Mating Cap:804-00007-00



(3+3) Pin  
P/N: 23303231-XX  
Pin Assignments  
Front View

UNIT:mm	
TOLERANCE	
.X	±0.25
.XX	±0.15
.XXX	±0.05
ANGLES	±1°

DESCRIPTION	Middle Series Push Lock Male Plug With Female Pin		
SCALE:	1:1	SHEET	1 OF 1
REV.	C1	SIZE	A4
			* :Inspection Item



PART NO	23303231-05	DRAWN BY	Hary	DATE	2020/05/19
DWG NO		CHECKED BY	Mo	DATE	2020/05/19
CUSTOMER		APPROVED BY	Panson	DATE	2020/05/19

THIS INFORMATION IS CONFIDENTIAL AND IS DISCLOSED TO YOU ON CONDITION THAT NO FURTHER DISCLOSURE IS MADE BY YOU TO OTHER THAN CHOGORI PERSONNEL WITHOUT AUTHORIZATION FROM CHOGORI CORP.