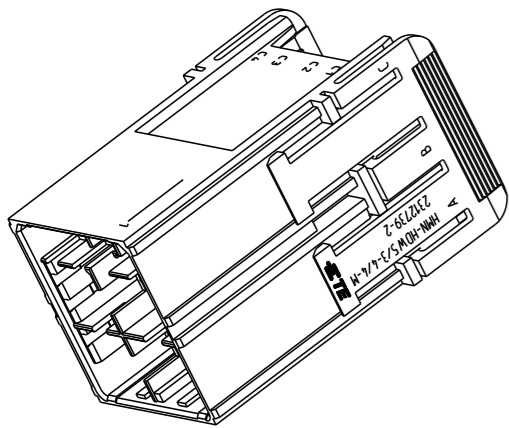
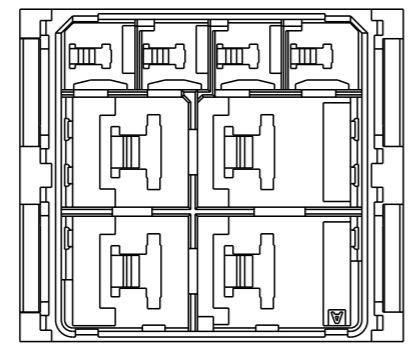
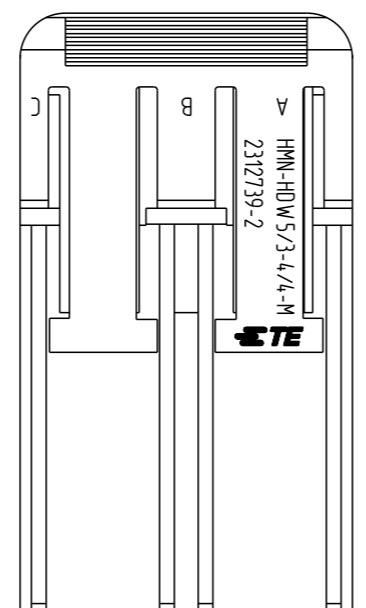
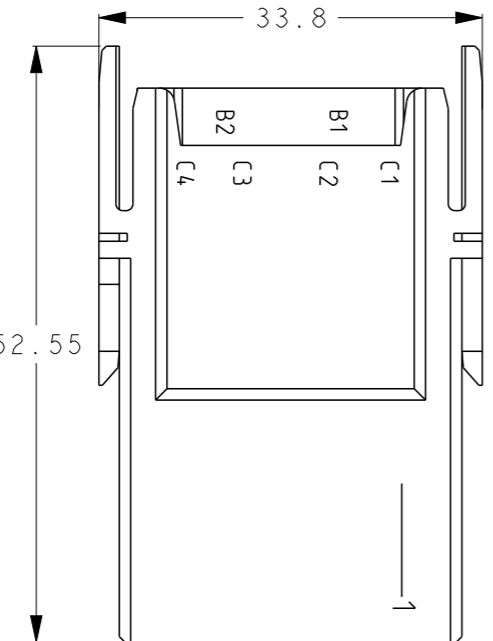
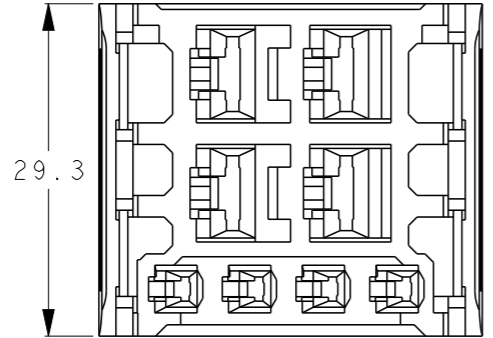


THIS DRAWING IS UNPUBLISHED. RELEASED FOR PUBLICATION 20  
 © COPYRIGHT 20 BY - ALL RIGHTS RESERVED.

REVISIONS					
P	LTR	DESCRIPTION	DATE	DWN	APVD
	A	RELEASED PER ECR-19-003017	25FEB2019	RI	EI



SCALE 1:1



1. TECHNICAL CHARACTERISTICS :  
 INSULATION MATERIAL : PBT  
 RATED VOLTAGE : HD5 800V/HD3 800V  
 RATED CURRENT : HD5 40A/HD3 11A  
 INSULATION RESISTANCE : >=100MΩ  
 RATED IMPULSE VOLTAGE : 8KV  
 POLLUTION DEGREE : 3  
 FLAMMABILITY : UL94V-0  
 MATING CYCLES : 100 CYCLES  
 OPERATION TEMPERATURE : -40°C~+125°C  
 WIRE RANGE : HD5 1.23SQmm~8.92SQmm  
                   HD3 0.08SQmm~2.20SQmm  
 CONTACT TYPE : CRIMP CONTACT
2. CONTACT NEED TO BE ORDERED SEPARATELY.  
 (ORDER No. REFER TO DRAWING : SEE TABLE 1)
3. FRAMES NEED TO BE ORDERED SEPARATELY.  
 (OEDER No. REFER TO DRAWING : SEE TABLE 2)

TABLE 1

INSULATION RANGE	WIRE RANGE	SIZE	SERIES	REEL	L/P	DESCRIPTION
3.1-3.8	AWG16-14, 1.25-2.20SQmm	3L	HD3	2316815-5	2316817-5	HD3 TAB CONTACT
2.2-2.8	AWG16-14, 1.25-2.20SQmm	2L	HD3	2316815-4	2316817-4	
1.8-2.8	AWG20-16, 0.50-1.25SQmm	L	HD3	2316815-3	2316817-3	
1.2-2.6	AWG24-20, 0.20-0.50SQmm	M	HD3	2316815-2	2316817-2	
0.8-1.4	AWG28-24, 0.08-0.20SQmm	S	HD3	2316815-1	2316817-1	D5 LONG TAB CONTACT
4.9-7.8	AWG8, 7.95-8.92SQmm	L	HD5	2316819-1	2316820-1	
4.0-5.2	AWG12-10, 3.08-5.50SQmm	M	HD5	84695-1	2013593-1	
3.0-3.8	AWG16-14, 1.23-2.27SQmm	S	HD5	84696-1	2013594-1	
				PART NUMBER		

TABLE 2

DESCRIPTION	PART NUMBER
H24B MALE FRAME FOR 6 MODULES	T2070244101-002
H16B MALE FRAME FOR 4 MODULES	T2070164101-002
H10B MALE FRAME FOR 3 MODULES	T2070104101-002
H6B MALE FRAME FOR 2 MODULES	T2070064101-002

2312739-2  
PART NUMBER

THIS DRAWING IS A CONTROLLED DOCUMENT.		DWN R. ITO 27MAR2017	TE Connectivity NAME MODULE INSERT, HMN-HDW5/3-4/4-M HDC DYNAMIC			
DIMENSIONS: mm		CHK E. TAKEMASA 27MAR2017			SIZE	CAGE CODE
TOLERANCES UNLESS OTHERWISE SPECIFIED: 0 PLC ±0.5 1 PLC ±0.5 2 PLC ±0.5 3 PLC ±0.5 4 PLC ±0.5 ANGLES ±5°		APVD N. YAMASAKI 27MAR2017			108-140161	-
MATERIAL SEE NOTE		PRODUCT SPEC 114-78029			114-78029	RESTRICTED TO
		FINISH	WEIGHT 28.3g	SCALE 3:2		
			CUSTOMER DRAWING	SHEET 1 OF 1		
				REV A		