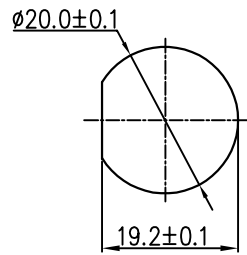
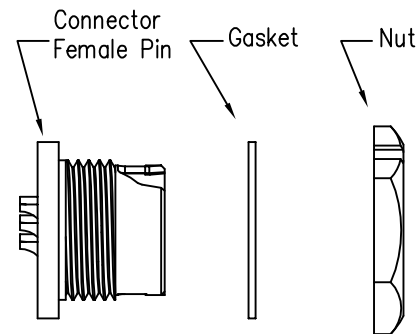
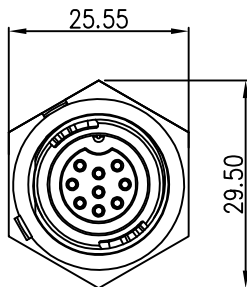
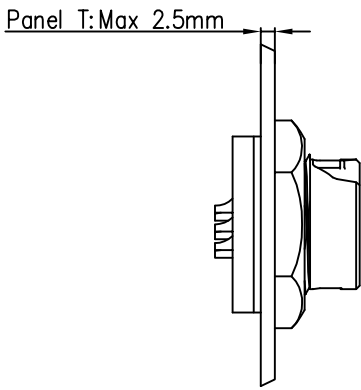
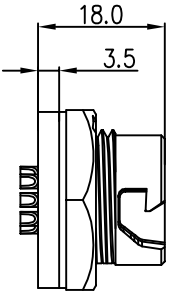


THIS INFORMATION IS CONFIDENTIAL AND IS DISCLOSED TO YOU ON CONDITION THAT NO FURTHER DISCLOSURE IS MADE BY YOU TO OTHER THAN CHOGORI PERSONNEL WITHOUT AUTHORIZATION FROM CHOGORI CORP.

REV.	ECN NO.	DESCRIPTION	SIGN	DATE
C1	N/A	INITIAL DRAWING	Liu	2020/05/17



Recommended Panel Cut-Out

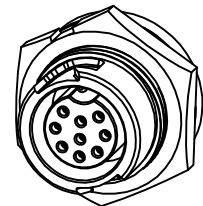


23XXX635-01
Pin Number

7 Pin	8 Pin	9 Pin
P/N: 23007635-01	P/N: 23008635-01	P/N: 23009635-01

Pin Assignments Front View

- Specification:
- 1.Operation Temperature: -45°C~105°C.
 - 2.Insulation Resistance:100MΩ at DC500V.
 - 3.Contact Resistance:<10mΩ.
 - 4.Withstand Voltage: 1300V AC
 - 5.Operating Current:5A
 - 6.Operating Voltage:DC 60V
 - 7.Waterproof Rate:IP67 (Mated)
 - 8.Housing:Nylon, Black
 - 9.Female Pin:Copper Alloy, Gold Plated
 - 10.Gasket:Silicon Gray
 - 11.Panel Nut:Nylon, Blue
 - 12.Torque Rate:0.8~1.0N·m
 - 13.RoHS Compliant.
 - 14.UL Compliant.(Only 7Pin & 8Pin)
 - 15.Mating Cap P/N:806-00047-00



CHOGORI

UNIT:mm		DESCRIPTION Middle Series Push Lock Front Mount With Female Pin	PART NO 23XXX635-01	DRAWN BY Liu	DATE 2020/05/17
TOLERANCE .X ±0.25 .XX ±0.15 .XXX ±0.05 ANGLES ±1°	SCALE 1:1	SHEET 1 OF 1	DWG NO	CHECKED BY Mo	DATE 2020/05/17
REV. C1	SIZE A4	* :Inspection Item	CUSTOMER	APPROVED BY Adley	DATE 2020/05/17