

170071-1001
APPEARANCE

170071-4001 SHOWN FOR REFERENCE
APPEARANCE MAY VARY WITH SIZE

NOTES:

1. MATERIAL:

CAGE: NICKEL SILVER
CONNECTOR HOUSING: GLASS FILLED THERMOPLASTIC, UL: 94V-0, COLOR: BLACK
TERMINALS: HIGH PERFORMANCE COPPER ALLOY
FRONT SHIELD WALL: COPPER ALLOY
ELASTOMERIC GASKET: SILVER IMPREGNATED SILICONE

2. FINISH

TERMINALS: CONTACT AREA: 0.76 μm MIN. HARD GOLD OVER
3.8 μm MIN. NICKEL.
COMPLIANT TAIL: 0.7-1.5 μm MATTE TIN OVER
0.7-1.5 μm NICKEL
FRONT SHIELD WALL: 0.7-1.5 μm NICKEL OVERALL

3. 2X4 CONFIGURATION SHOWN FOR REFERENCE, SEE CHART FOR AVAILABLE OPTIONS

4. REFER TO PS-170071-0001 FOR ALL ELECTRICAL, MECHANICAL AND ENVIRONMENTAL SPECIFICATIONS.

5. REFER TO AS-170071-0001 FOR CONNECTOR MOUNTING AND REWORK INFORMATION.

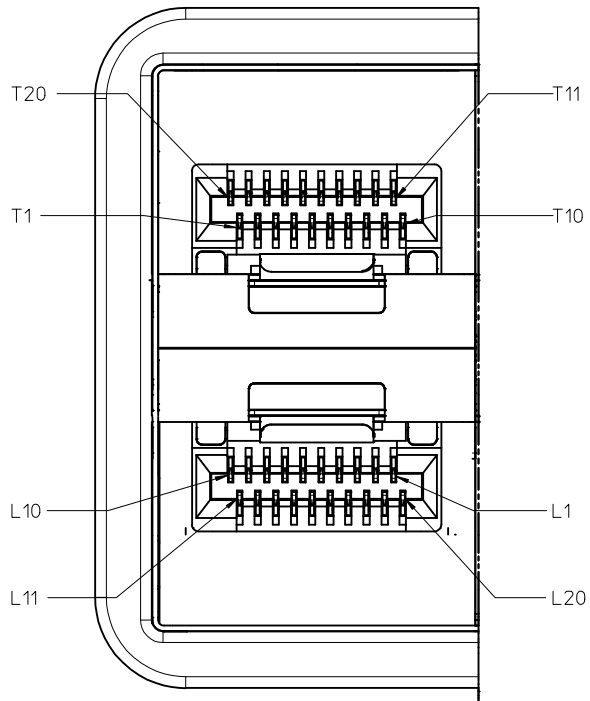
6. REFER TO AS-170071-0002 FOR PCB ROUTING RECOMMENDATIONS.

7. ALL VISIBLE EXTERIOR SURFACES TO BE CLASS "B" (BOTTOM OF CONNECTOR IS CLASS "C") CAGE SURFACES TO CONFORM TO THE MOLEX COSMETIC DOC PS-45499-002.

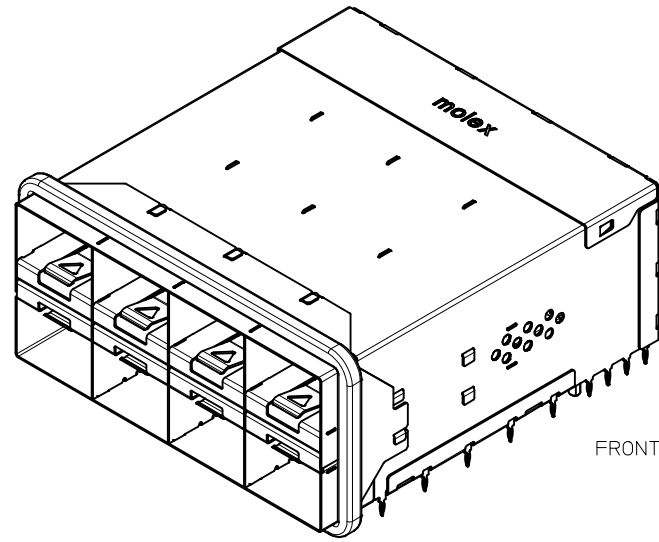
PORT SIZE	PART NUMBER	DIM X	DIM Y
2X1	1700711001	14.50	15.10
2X2	1700712001	28.75	29.35
2X4	1700714001	57.25	57.85
2X6	1700716001	85.75	86.35
2X8	1700718001	114.25	114.85
2X12	1700711201	171.25	171.85

ADDED GENERAL TOL EC NO: UCP2016-3736 DRWINKEMPEGONDA 2016/07/25 CHKD: APPR:SMILLER 2016/08/15	QUALITY SYMBOLS ∇=0 ∇=0 ∇=0	GENERAL TOLERANCES (UNLESS SPECIFIED)		DIMENSION STYLE MM ONLY		SCALE 2:1	DESIGN UNITS METRIC	THIRD ANGLE PROJECTION																															
		<table border="1"> <thead> <tr> <th></th> <th>mm</th> <th>INCH</th> </tr> </thead> <tbody> <tr> <td>4 PLACES</td> <td>± ---</td> <td>± ---</td> </tr> <tr> <td>3 PLACES</td> <td>± ---</td> <td>± ---</td> </tr> <tr> <td>2 PLACES</td> <td>± 0.13</td> <td>± ---</td> </tr> <tr> <td>1 PLACE</td> <td>± 0.25</td> <td>± ---</td> </tr> <tr> <td>0 PLACE</td> <td>±</td> <td>±</td> </tr> </tbody> </table>			mm	INCH	4 PLACES	± ---	± ---	3 PLACES	± ---	± ---	2 PLACES	± 0.13	± ---	1 PLACE	± 0.25	± ---	0 PLACE	±	±	<table border="1"> <thead> <tr> <th>DRAWN BY</th> <th>DATE</th> </tr> </thead> <tbody> <tr> <td>JGONZALEZ01</td> <td>2010/05/27</td> </tr> <tr> <th>CHECKED BY</th> <th>DATE</th> </tr> <tr> <td>JKACHLIC</td> <td>2010/06/03</td> </tr> <tr> <th>APPROVED BY</th> <th>DATE</th> </tr> <tr> <td>MBANAKIS</td> <td>2010/10/24</td> </tr> </tbody> </table>		DRAWN BY	DATE	JGONZALEZ01	2010/05/27	CHECKED BY	DATE	JKACHLIC	2010/06/03	APPROVED BY	DATE	MBANAKIS	2010/10/24	TITLE ZSFP+ STACKED FULL ASSY WITH ELASTOMERIC GASKET			
			mm	INCH																																			
		4 PLACES	± ---	± ---																																			
3 PLACES	± ---	± ---																																					
2 PLACES	± 0.13	± ---																																					
1 PLACE	± 0.25	± ---																																					
0 PLACE	±	±																																					
DRAWN BY	DATE																																						
JGONZALEZ01	2010/05/27																																						
CHECKED BY	DATE																																						
JKACHLIC	2010/06/03																																						
APPROVED BY	DATE																																						
MBANAKIS	2010/10/24																																						
DRAFT WHERE APPLICABLE MUST REMAIN WITHIN DIMENSIONS						MATERIAL NO. SEE CHART		DOCUMENT NO. SD-170071-0001																															

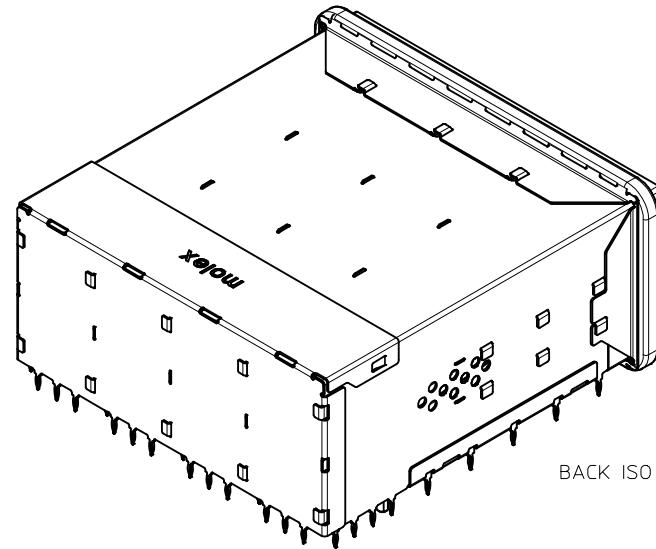
THIS DRAWING CONTAINS INFORMATION THAT IS PROPRIETARY TO MOLEX INCORPORATED AND SHOULD NOT BE USED WITHOUT WRITTEN PERMISSION



Partial1
SCALE 6:1

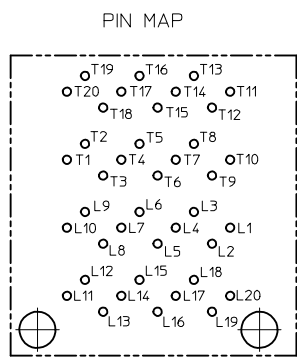
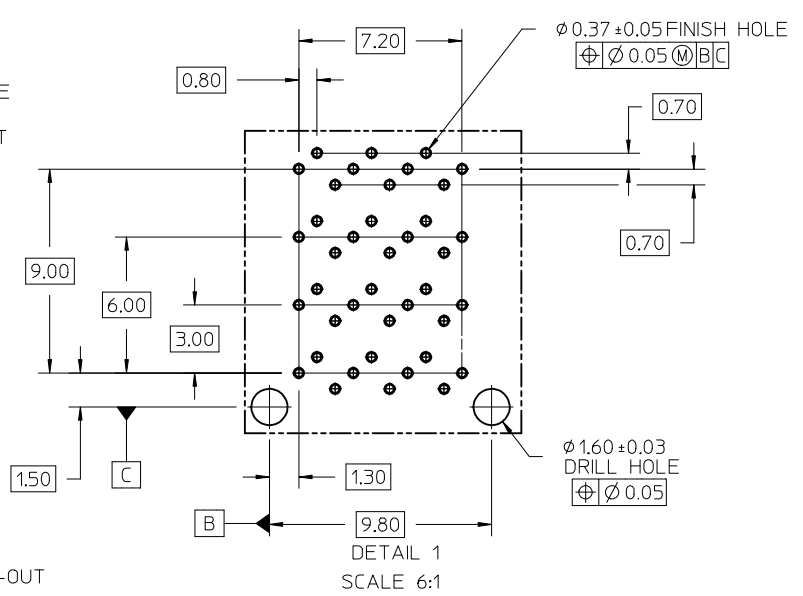
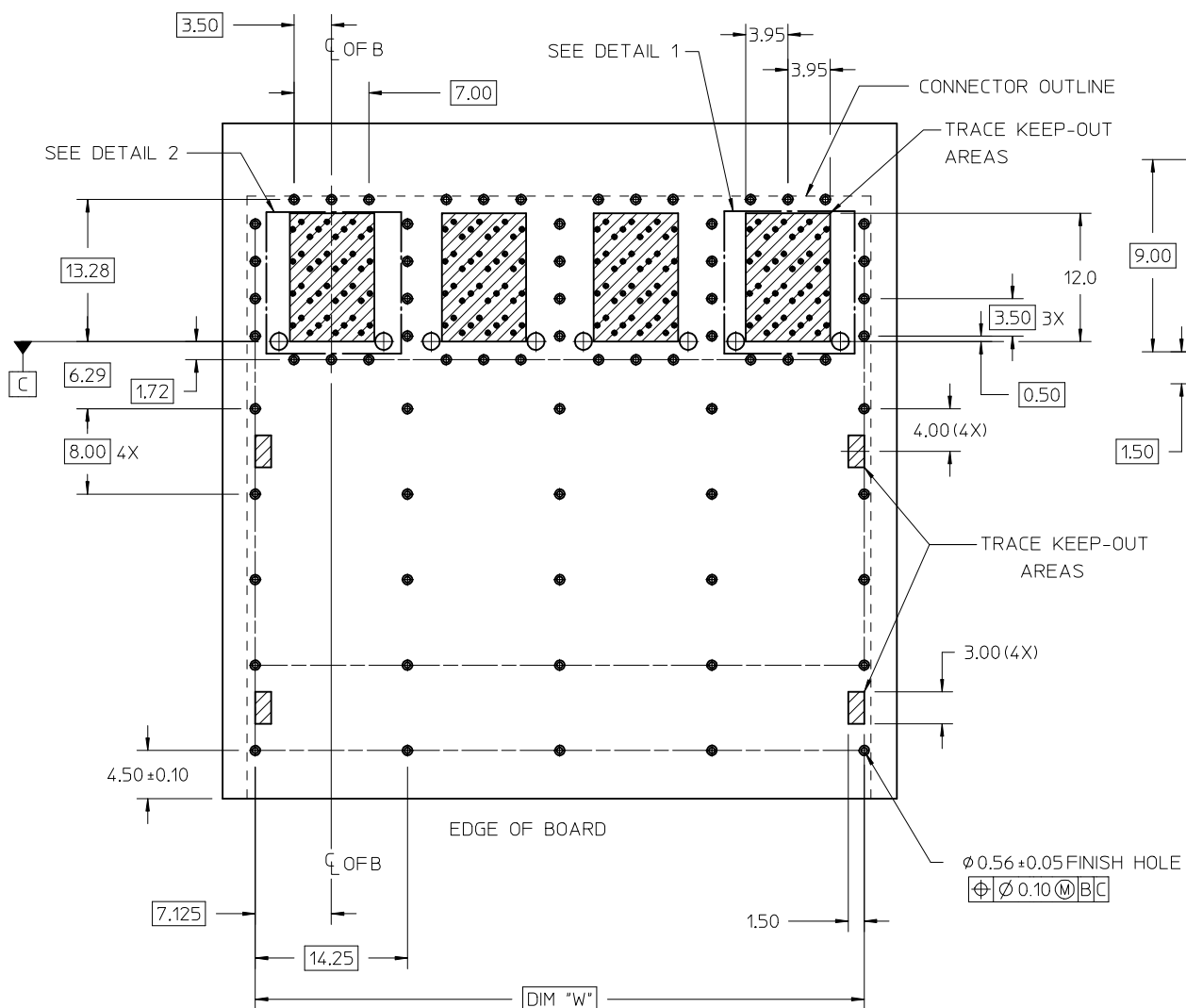


FRONT ISO VIEW



BACK ISO VIEW

SEE SHEET 1 EC NO: UCP2016-3736 DRWN:MKPECONDA 2016/07/25 CHKD: APPR:SMILLER 2016/08/15	QUALITY SYMBOLS	GENERAL TOLERANCES (UNLESS SPECIFIED)	DIMENSION STYLE	SCALE	DESIGN UNITS	THIRD ANGLE PROJECTION
	▽=0	mm INCH	MM ONLY	2:1	METRIC	
	▽=0	4 PLACES ± --- ± ---	DRAWN BY DATE	TITLE		
	▽=0	3 PLACES ± --- ± ---	JKACHLIC 2010/06/03	ZSFP+ STACKED FULL ASSY WITH ELASTOMERIC GASKET		
	▽=0	2 PLACES ± 0.13 ± ---	MBANAKIS 2010/10/24			
	1 PLACE ± 0.25 ± ---	ANGULAR ±1/2°	SEE CHART	DOCUMENT NO.	SHEET NO.	
	0 PLACE ± ±	DRAFT WHERE APPLICABLE MUST REMAIN WITHIN DIMENSIONS	SIZE C	SD-170071-0001	2 OF 4	
			THIS DRAWING CONTAINS INFORMATION THAT IS PROPRIETARY TO MOLEX INCORPORATED AND SHOULD NOT BE USED WITHOUT WRITTEN PERMISSION			



HOLE CHART				
PORT SIZE	DIM "W"	SIGNALS (Ø0.37)	SHIELD GROUND (Ø0.56)	CONNECTOR LOCATION (Ø1.60)
2X1	14.25	40	24	2
2X2	28.50	80	39	4
2X4	57.00	160	69	8
2X6	85.50	240	99	12
2X8	114.00	320	129	16
2X12	171.00	480	189	24

SEE SHEET 1
 EC NO: UCP2016-3736
 DRWINGKEMPEGONDA 2016/07/25
 CHKD: MILLER
 APPR: MILLER 2016/08/15

QUALITY SYMBOLS
 ▽=0
 ▽=0
 ▽=0

GENERAL TOLERANCES (UNLESS SPECIFIED)
 mm INCH
 4 PLACES ± --- ± ---
 3 PLACES ± --- ± ---
 2 PLACES ± 0.13 ± ---
 1 PLACE ± 0.25 ± ---
 0 PLACE ± ±

ANGULAR ±1/2°
 DRAFT WHERE APPLICABLE MUST REMAIN WITHIN DIMENSIONS

DIMENSION STYLE
MM ONLY

DRAWN BY DATE
 JGONZALEZ01 2010/05/27

CHECKED BY DATE
 JKACHLIC 2010/06/03

APPROVED BY DATE
 MBANAKIS 2010/10/24

MATERIAL NO.
SEE CHART

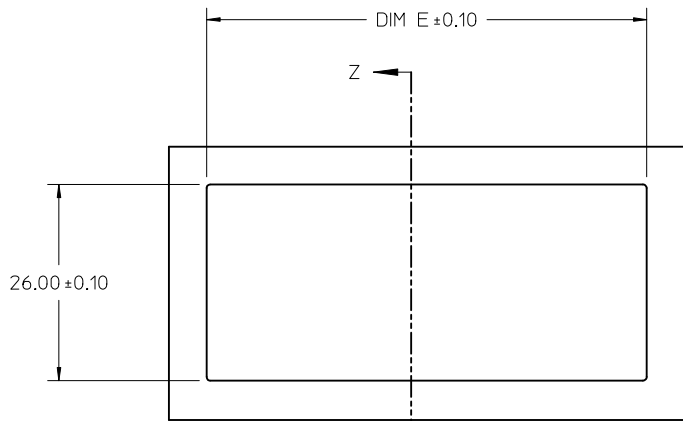
SCALE 3:1
 DESIGN UNITS METRIC
 THIRD ANGLE PROJECTION

TITLE
ZSFP+ STACKED FULL ASSY WITH ELASTOMERIC GASKET

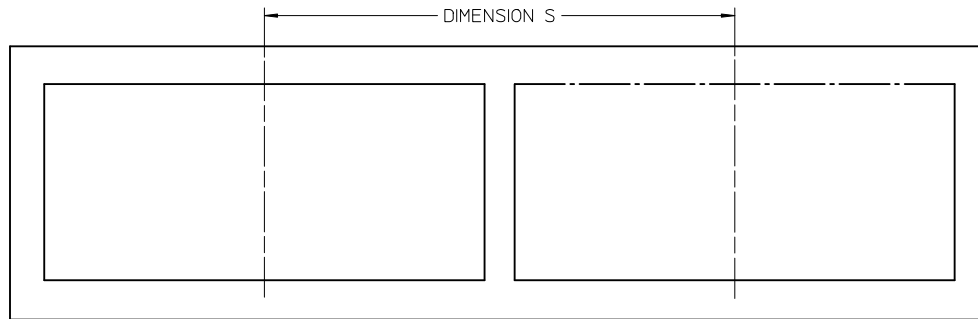
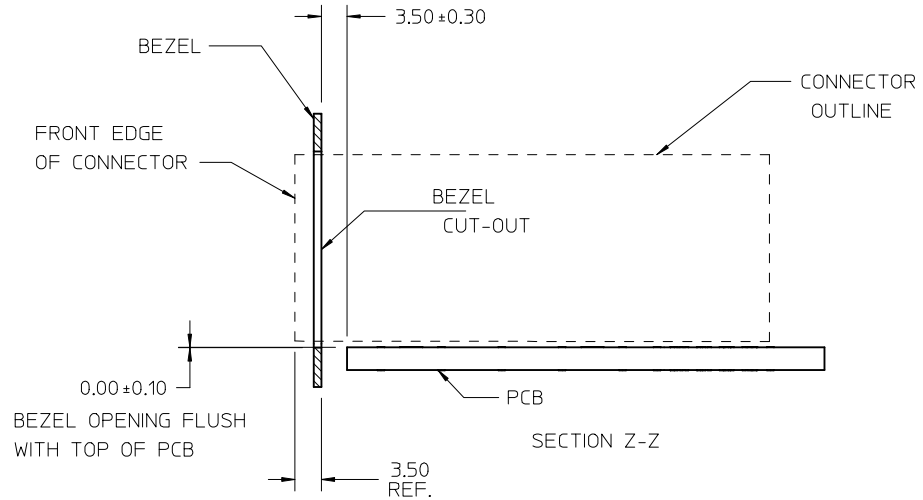
molex

DOCUMENT NO. SD-170071-0001
 SHEET NO. 3 OF 4

THIS DRAWING CONTAINS INFORMATION THAT IS PROPRIETARY TO MOLEX INCORPORATED AND SHOULD NOT BE USED WITHOUT WRITTEN PERMISSION



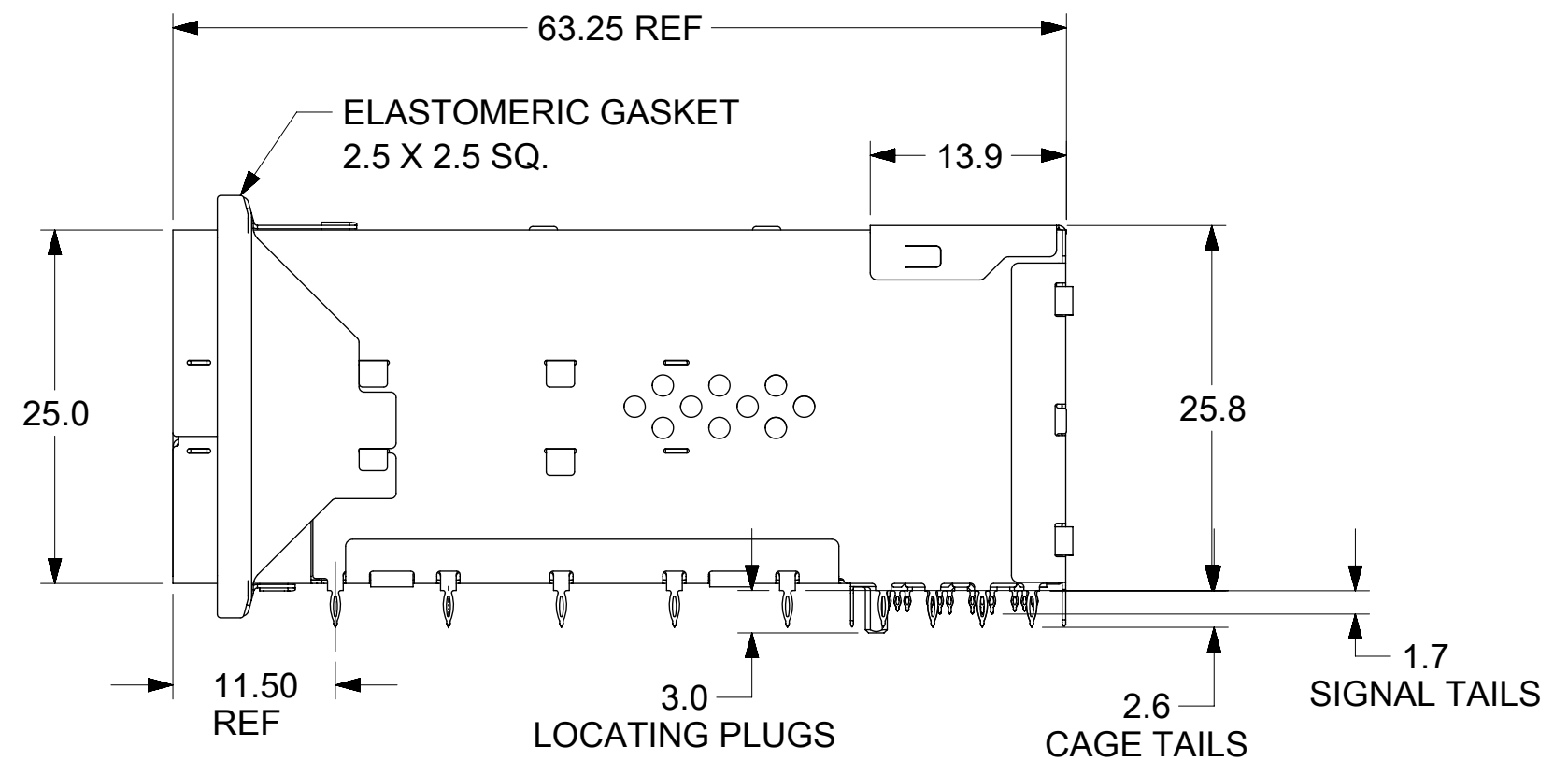
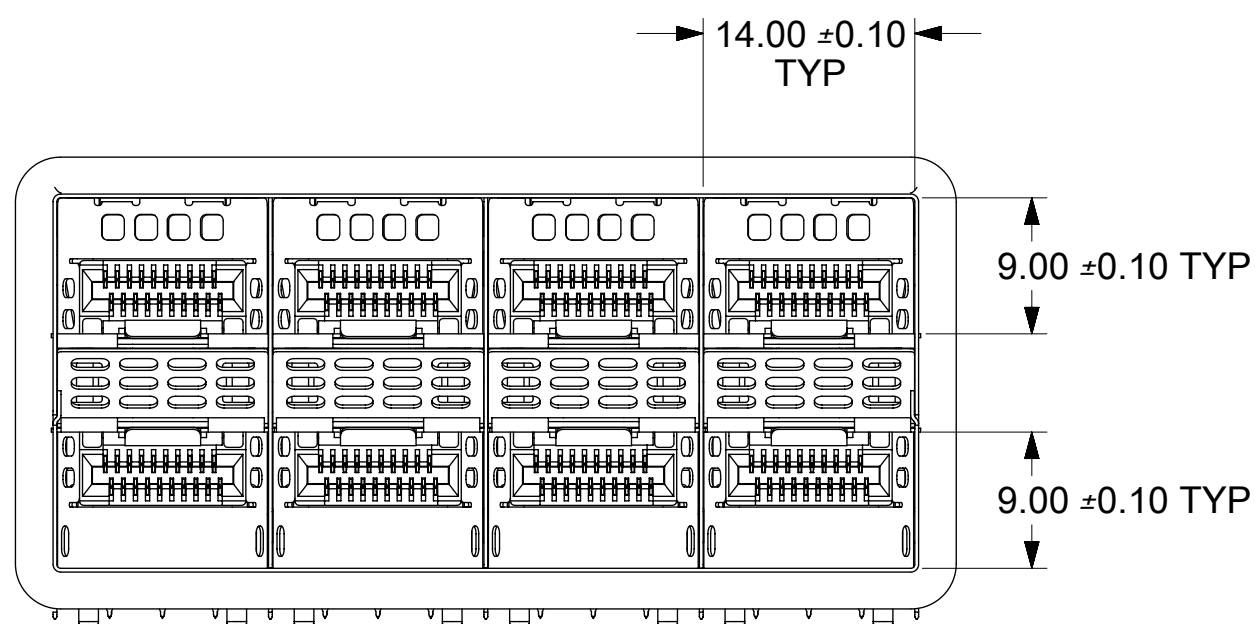
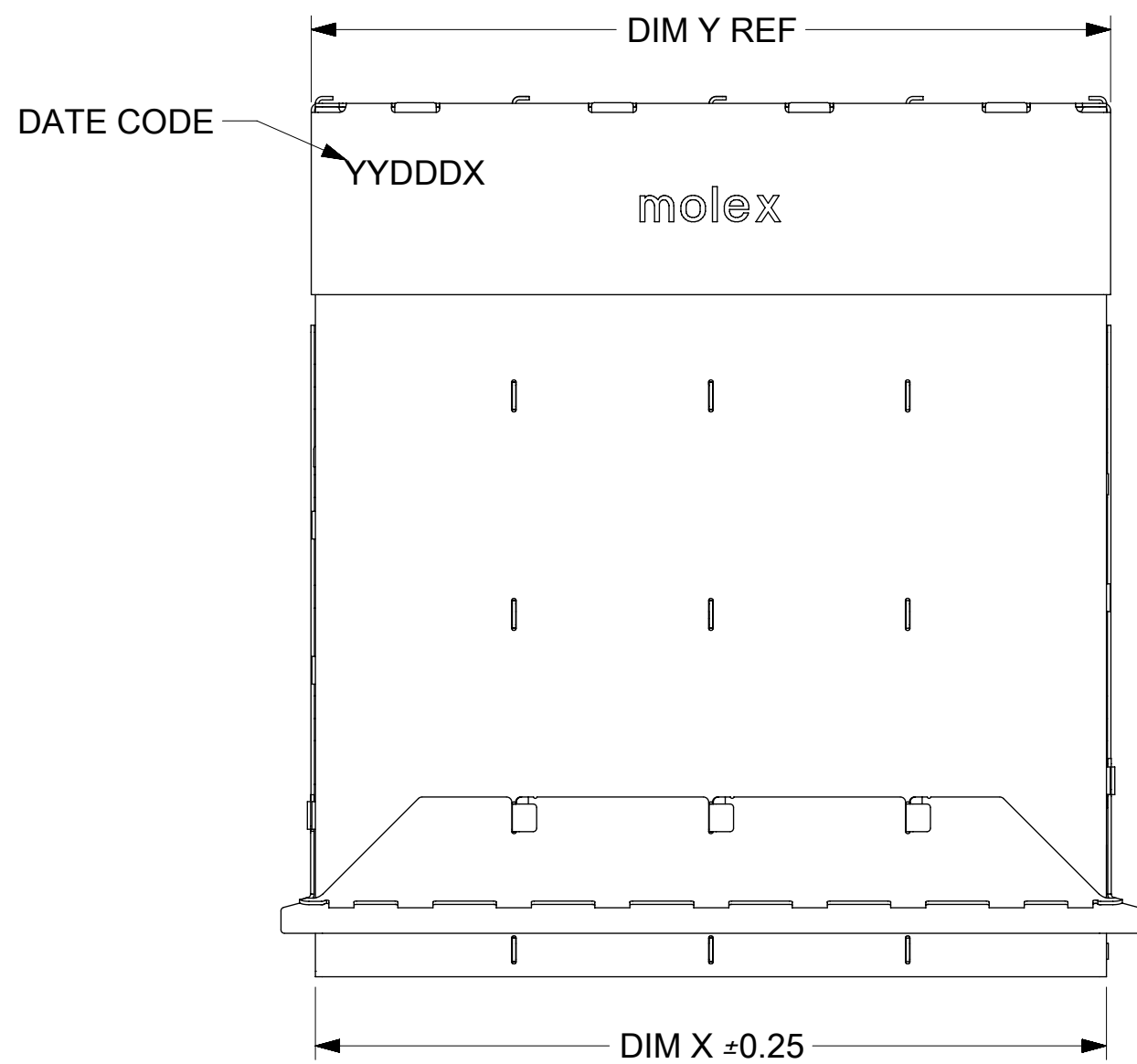
BEZEL CUT-OUT DETAIL
BEZEL THICKNESS 0.8-2.6



BEZEL CUT OUT FOR
CONNECTOR STACKING

CONFIGURATION	DIM 'E'	DIM 'S'
2X1	15.50	20.40 MINIMUM
2X2	29.75	34.65 MINIMUM
2X4	58.25	63.15 MINIMUM
2X6	86.75	91.65 MINIMUM
2X8	115.25	120.15 MINIMUM
2X12	172.25	177.15 MINIMUM

SEE SHEET 1 EC NO: UCP2016-3736 DRWING: KEMPEGONDA 2016/07/25 CHKD: MBANAKIS APPR: SMILLER 2016/08/15	QUALITY SYMBOLS 	GENERAL TOLERANCES (UNLESS SPECIFIED) <table border="1"> <tr> <td></td> <td>mm</td> <td>INCH</td> </tr> <tr> <td>4 PLACES</td> <td>± 0.10</td> <td>± 0.004</td> </tr> <tr> <td>3 PLACES</td> <td>± 0.15</td> <td>± 0.006</td> </tr> <tr> <td>2 PLACES</td> <td>± 0.25</td> <td>± 0.010</td> </tr> <tr> <td>1 PLACE</td> <td>± 0.30</td> <td>± 0.012</td> </tr> <tr> <td>0 PLACE</td> <td>± 0.40</td> <td>± 0.016</td> </tr> </table>		mm	INCH	4 PLACES	± 0.10	± 0.004	3 PLACES	± 0.15	± 0.006	2 PLACES	± 0.25	± 0.010	1 PLACE	± 0.30	± 0.012	0 PLACE	± 0.40	± 0.016	DIMENSION STYLE MM ONLY DRAWN BY: JGONZALEZ01 DATE: 2010/05/27 CHECKED BY: JKACHLIC DATE: 2010/06/03 APPROVED BY: MBANAKIS DATE: 2010/10/24	SCALE: 2:1 DESIGN UNITS: METRIC THIRD ANGLE PROJECTION	TITLE: ZSFP+ STACKED FULL ASSY WITH ELASTOMERIC GASKET
		mm	INCH																				
	4 PLACES	± 0.10	± 0.004																				
	3 PLACES	± 0.15	± 0.006																				
2 PLACES	± 0.25	± 0.010																					
1 PLACE	± 0.30	± 0.012																					
0 PLACE	± 0.40	± 0.016																					
MATERIAL NO.		DRAFT WHERE APPLICABLE MUST REMAIN WITHIN DIMENSIONS		molex																			
SEE CHART		ANGULAR ±1/2°		DOCUMENT NO. SD-170071-0001																			
SIZE: C		THIS DRAWING CONTAINS INFORMATION THAT IS PROPRIETARY TO MOLEX INCORPORATED AND SHOULD NOT BE USED WITHOUT WRITTEN PERMISSION		SHEET NO. 4 OF 4																			



170071-4004 SHOWN FOR REFERENCE
APPEARANCE MAY VARY WITH SIZE

NOTES:

1. MATERIAL:

CAGE: NICKEL SILVER
CONNECTOR HOUSING: GLASS FILLED THERMOPLASTIC, UL: 94V-0, COLOR: BLACK
TERMINALS: HIGH PERFORMANCE COPPER ALLOY
FRONT SHIELD WALL: COPPER ALLOY
ELASTOMERIC GASKET: SILVER IMPREGNATED SILICONE

2. FINISH

TERMINALS: CONTACT AREA: 0.76 μm MIN. HARD GOLD OVER 3.8 μm MIN. NICKEL.
COMPLIANT TAIL: 0.7-1.5 μm MATTE TIN OVER 0.7-1.5 μm NICKEL.
FRONT SHIELD WALL: 0.7-1.5 μm NICKEL OVERALL

3. 2X4 CONFIGURATION SHOWN FOR REFERENCE, SEE CHART FOR AVAILABLE OPTIONS.

4. REFER TO PS-170071-0001 FOR ALL ELECTRICAL, MECHANICAL AND ENVIRONMENTAL SPECIFICATIONS.

5. REFER TO AS-170071-0001 FOR CONNECTOR MOUNTING AND REWORK INFORMATION.

6. REFER TO AS-170071-0002 FOR PCB ROUTING RECOMMENDATIONS.

7. ALL SURFACES CLASS "C" PER MOLEX COSMETIC SPECIFICATION ES-171233-0001.

8. DATE CODE LOCATION SHOWN. DATE CODE FORMAT: YYDDDX.

YY= LAST TWO DIGITS OF YEAR.

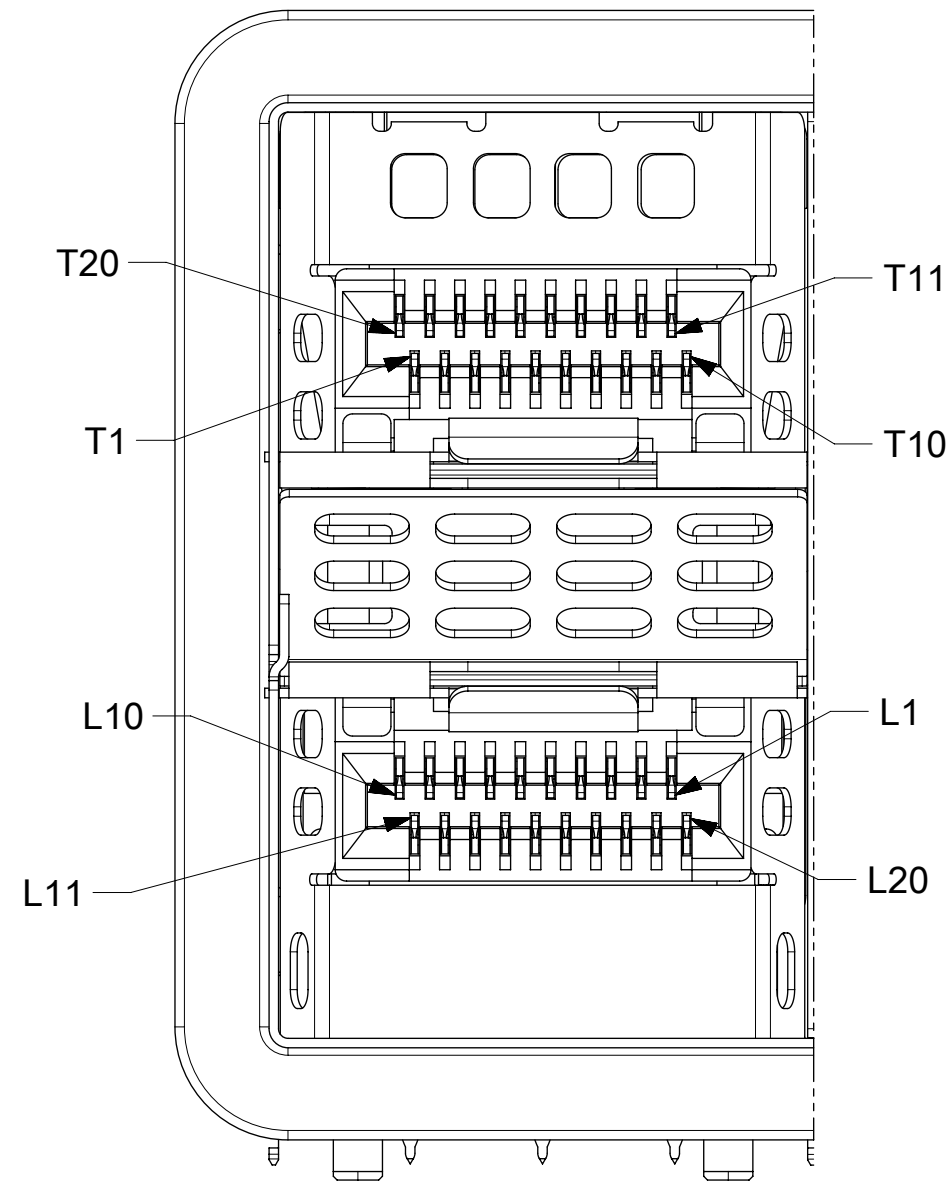
DDD= DAY OF THE YEAR

X= MOLEX INTERNAL CONTROL

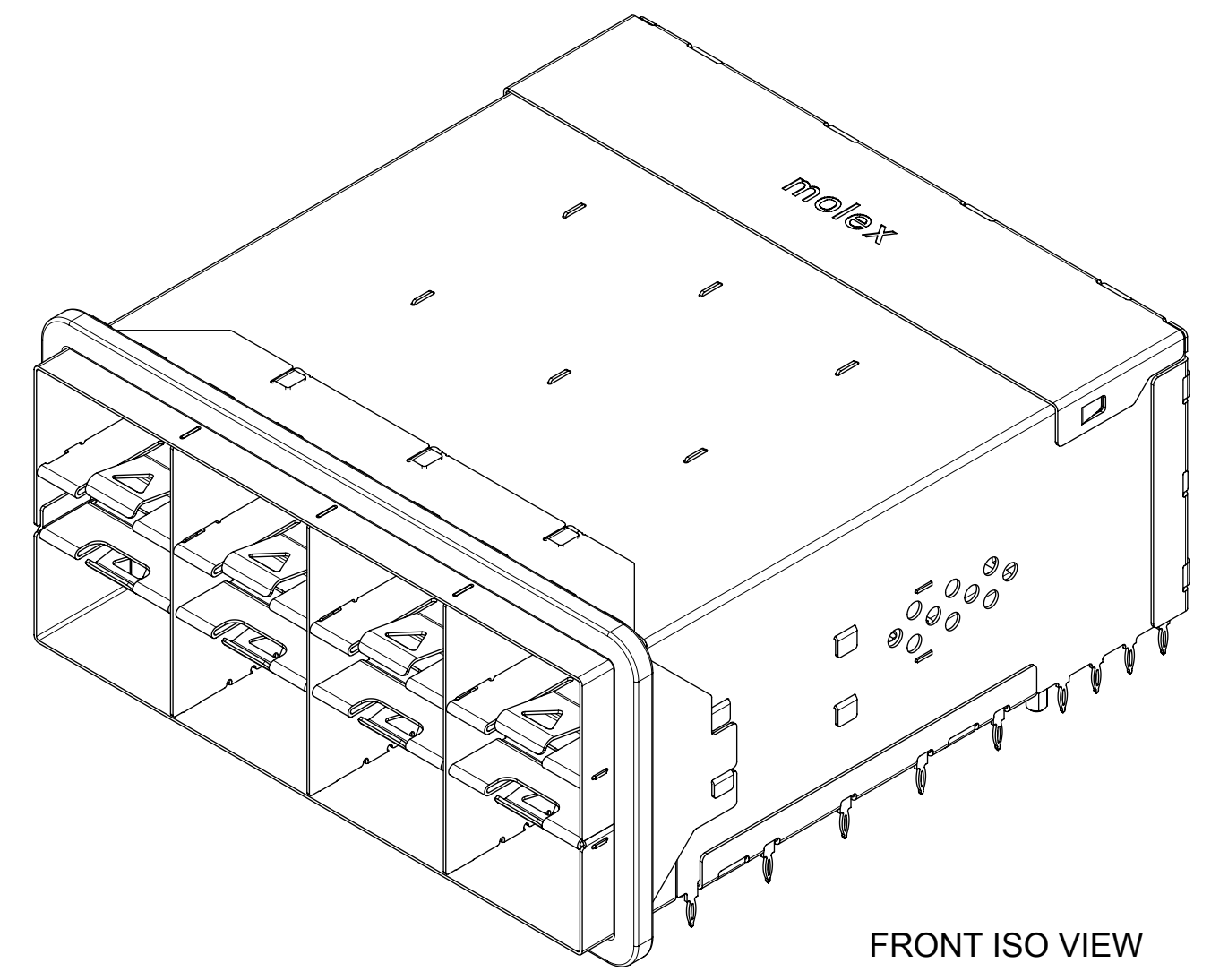
PORT SIZE	PART NUMBER	DIM X	DIM Y
2X1	170071-1004	14.50	15.10
2X2	170071-2004	28.75	29.35
2X4	170071-4004	57.25	57.85
2X6	170071-6004	85.75	86.35
2X8	170071-8004	114.25	114.85
2X12	170071-1204	171.25	171.85

THIS DRAWING CONTAINS INFORMATION THAT IS PROPRIETARY TO MOLEX ELECTRONIC TECHNOLOGIES, LLC AND SHOULD NOT BE USED WITHOUT WRITTEN PERMISSION

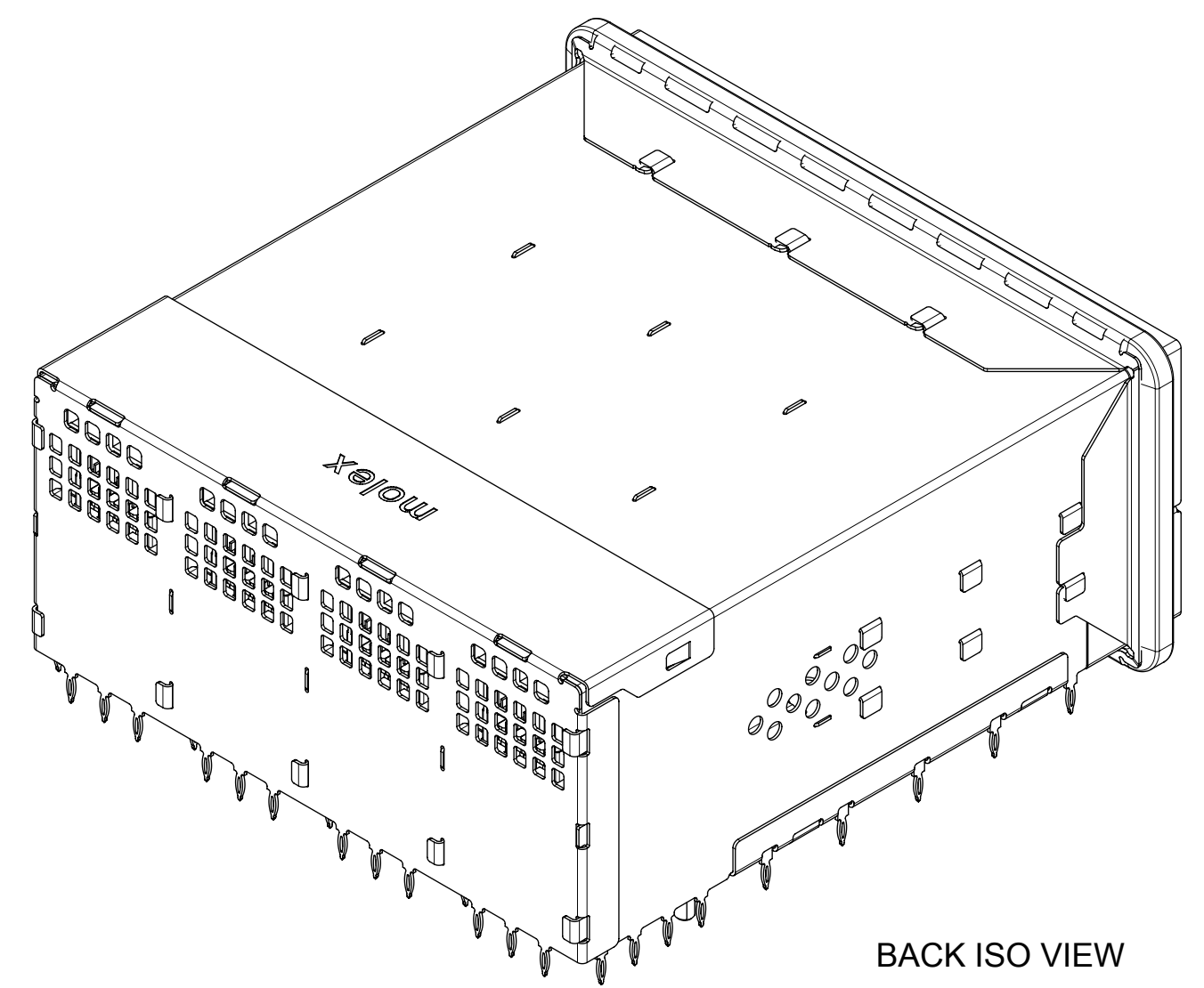
DIMENSION UNITS mm	SCALE 2:1	CURRENT REV DESC: SEE REVISION HISTORY		molex		
GENERAL TOLERANCES (UNLESS SPECIFIED)		EC NO: 622761				
ANGULAR TOL ± 0.5°		DRWN: TMARRI 2019/07/24		PRODUCT CUSTOMER DRAWING		
4 PLACES ±		CHK'D: CWANG67 2019/08/22		DOCUMENT NUMBER		
3 PLACES ±		APPR: RNELSON 2019/09/04		SD-170071-0004		
2 PLACES ± 0.13		INITIAL REVISION:		DOC TYPE DOC PART REVISION		
1 PLACE ± 0.25		DRWN: JKACHLIC 2015/06/24		PSD 001 A		
0 PLACES ±		APPR: MBANAKIS 2015/06/25		MATERIAL NUMBER CUSTOMER SHEET NUMBER		
DRAFT WHERE APPLICABLE MUST REMAIN WITHIN DIMENSIONS	THIRD ANGLE PROJECTION	DRAWING	SERIES	SEE CHART	GENERAL MARKET	1 OF 5



Partial 1
VIEW D
SCALE 5:1



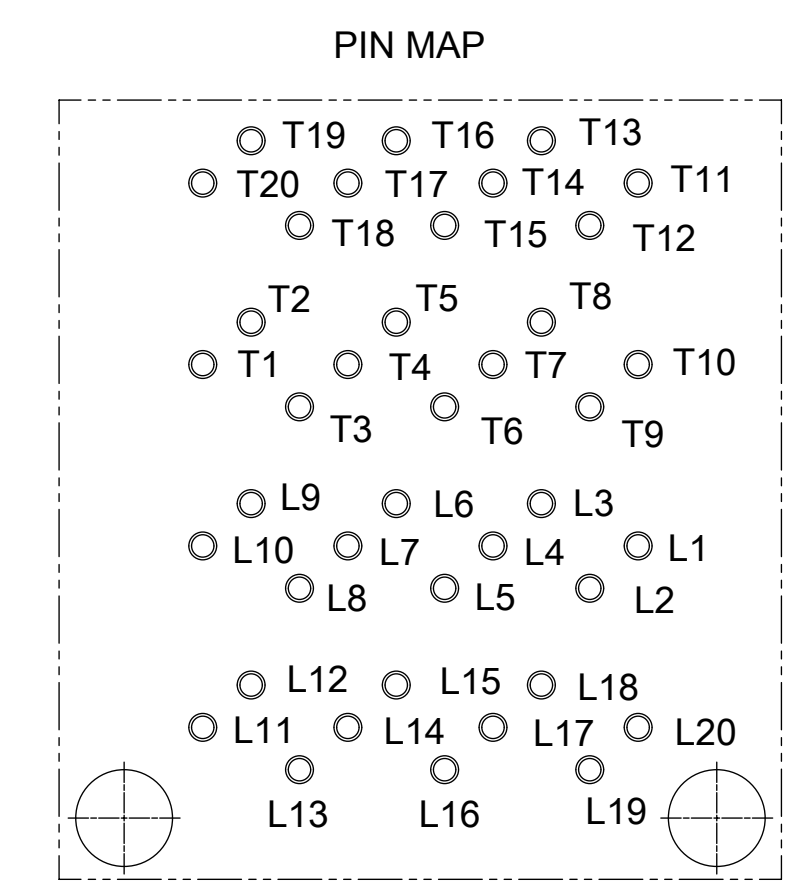
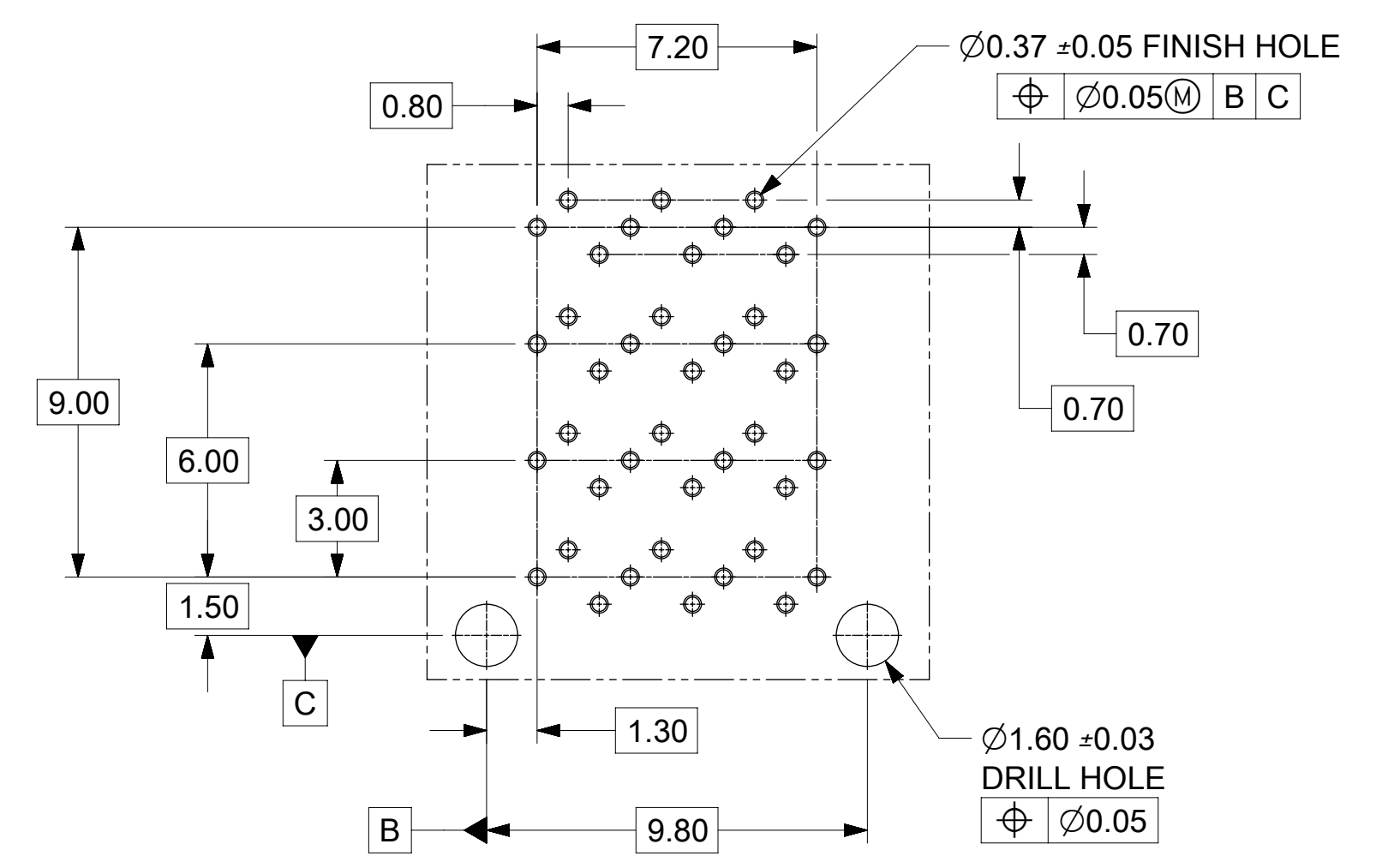
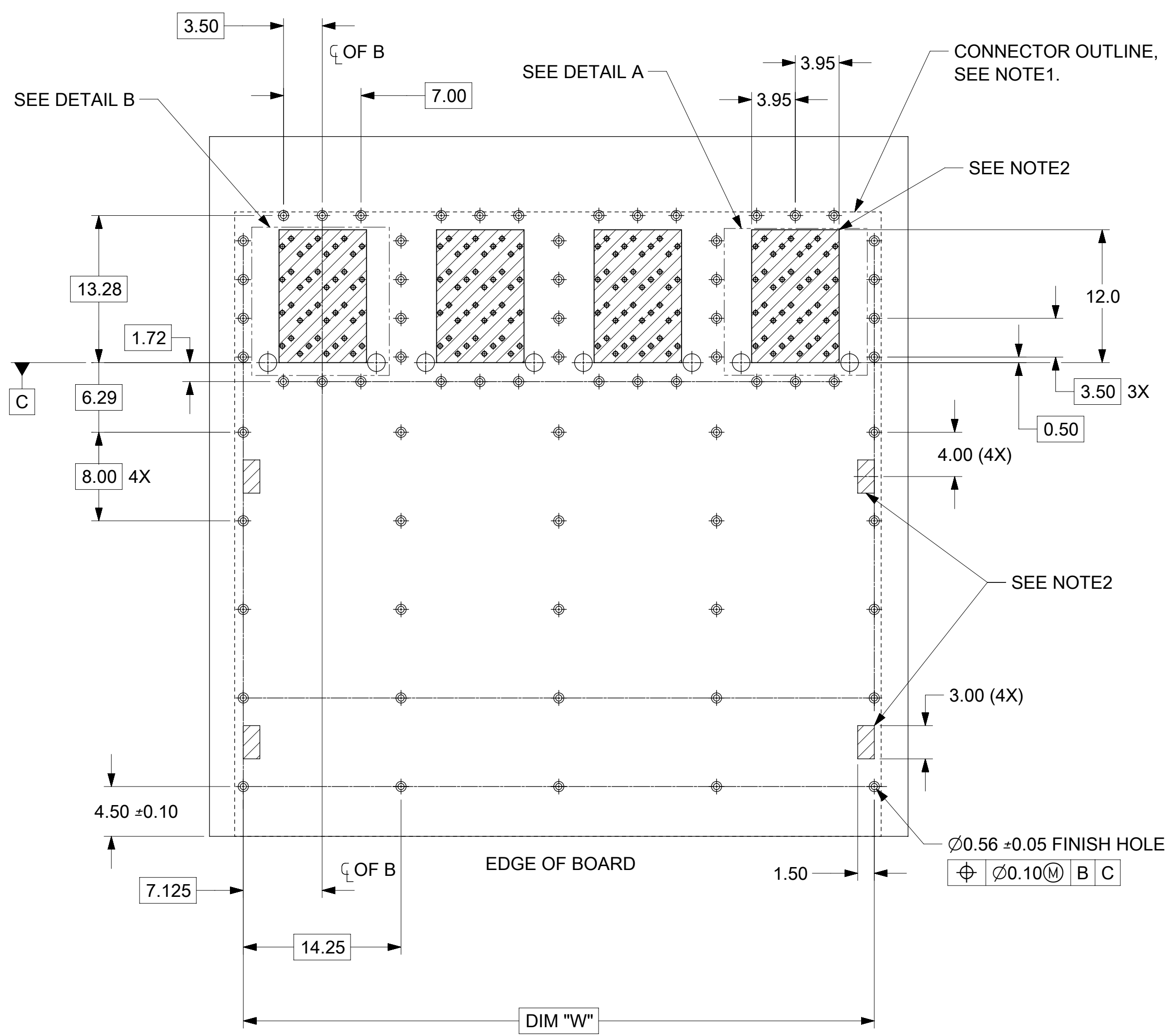
FRONT ISO VIEW



BACK ISO VIEW

THIS DRAWING CONTAINS INFORMATION THAT IS PROPRIETARY TO MOLEX ELECTRONIC TECHNOLOGIES, LLC AND SHOULD NOT BE USED WITHOUT WRITTEN PERMISSION									
DIMENSION UNITS		SCALE		CURRENT REV DESC: SEE REVISION HISTORY				molex	
mm		1:1		EC NO: 622761					
GENERAL TOLERANCES (UNLESS SPECIFIED)				DRWN: TMARRI 2019/07/24				ZSFP+ STACKED FLOW THRU WITH ELASTOMERIC GASKET	
ANGULAR TOL ± 0.5°				CHK'D: CWANG67 2019/08/22					
4 PLACES ±				APPR: RNELSON 2019/09/04				PRODUCT CUSTOMER DRAWING	
3 PLACES ±				INITIAL REVISION:					
2 PLACES ± 0.13				DRWN: JKACHLIC 2015/06/24				DOCUMENT NUMBER	
1 PLACE ± 0.25				APPR: MBANAKIS 2015/06/25				SD-170071-0004	
0 PLACES ±				THIRD ANGLE PROJECTION		DRAWING		DOC TYPE DOC PART REVISION	
DRAFT WHERE APPLICABLE MUST REMAIN WITHIN DIMENSIONS				C-SIZE		SERIES		MATERIAL NUMBER CUSTOMER SHEET NUMBER	
				C-SIZE		170071		SEE CHART GENERAL MARKET 2 OF 5	

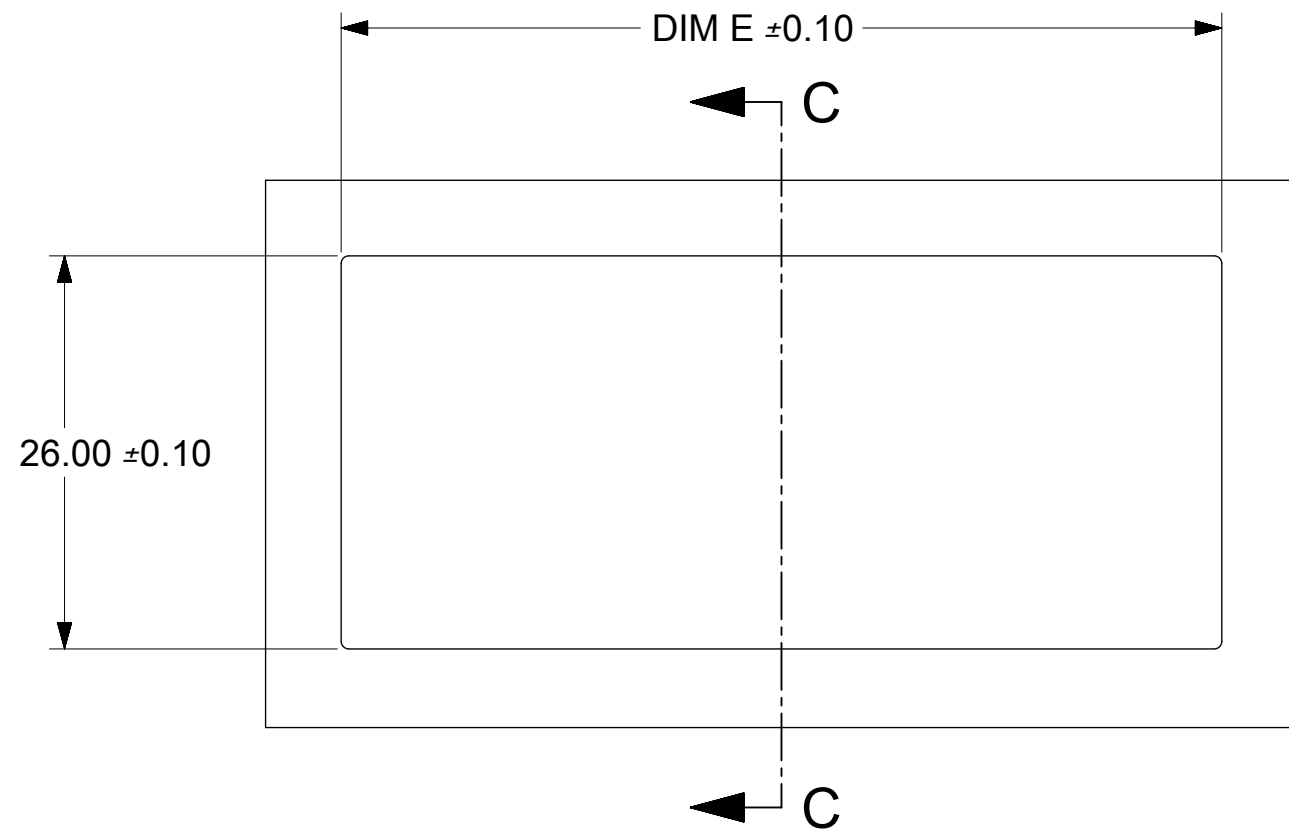
DOCUMENT STATUS	P1	RELEASE DATE	2019/09/04 07:37:08
-----------------	----	--------------	---------------------



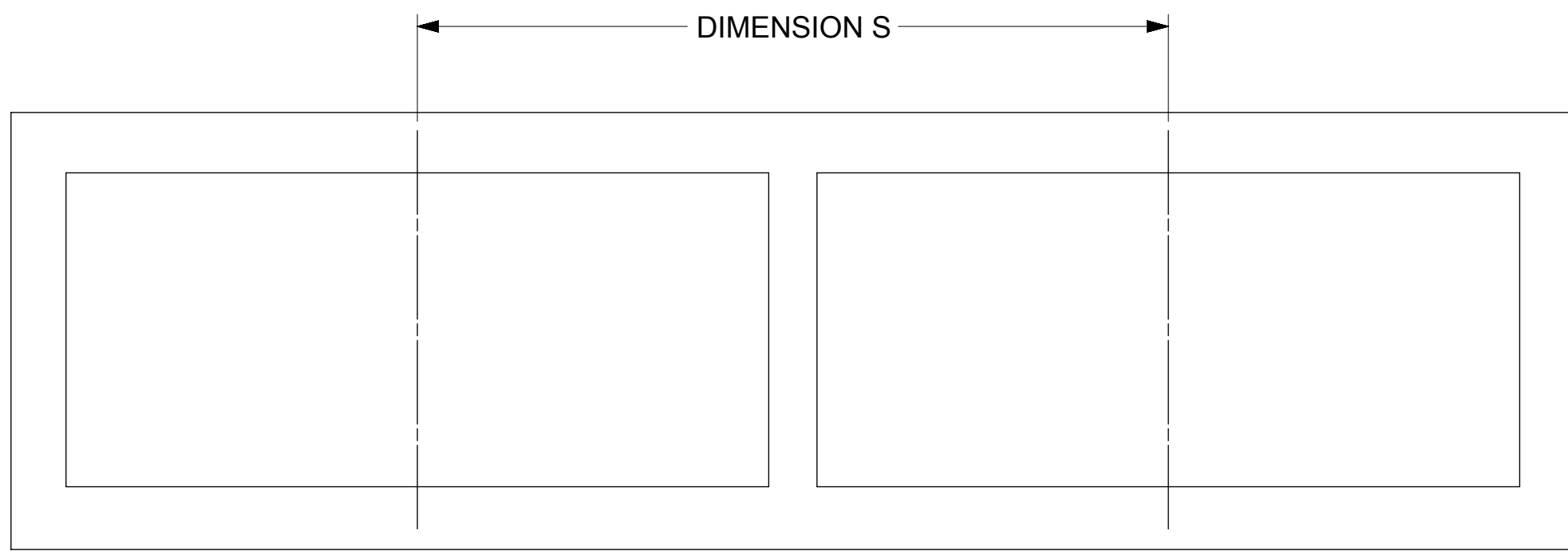
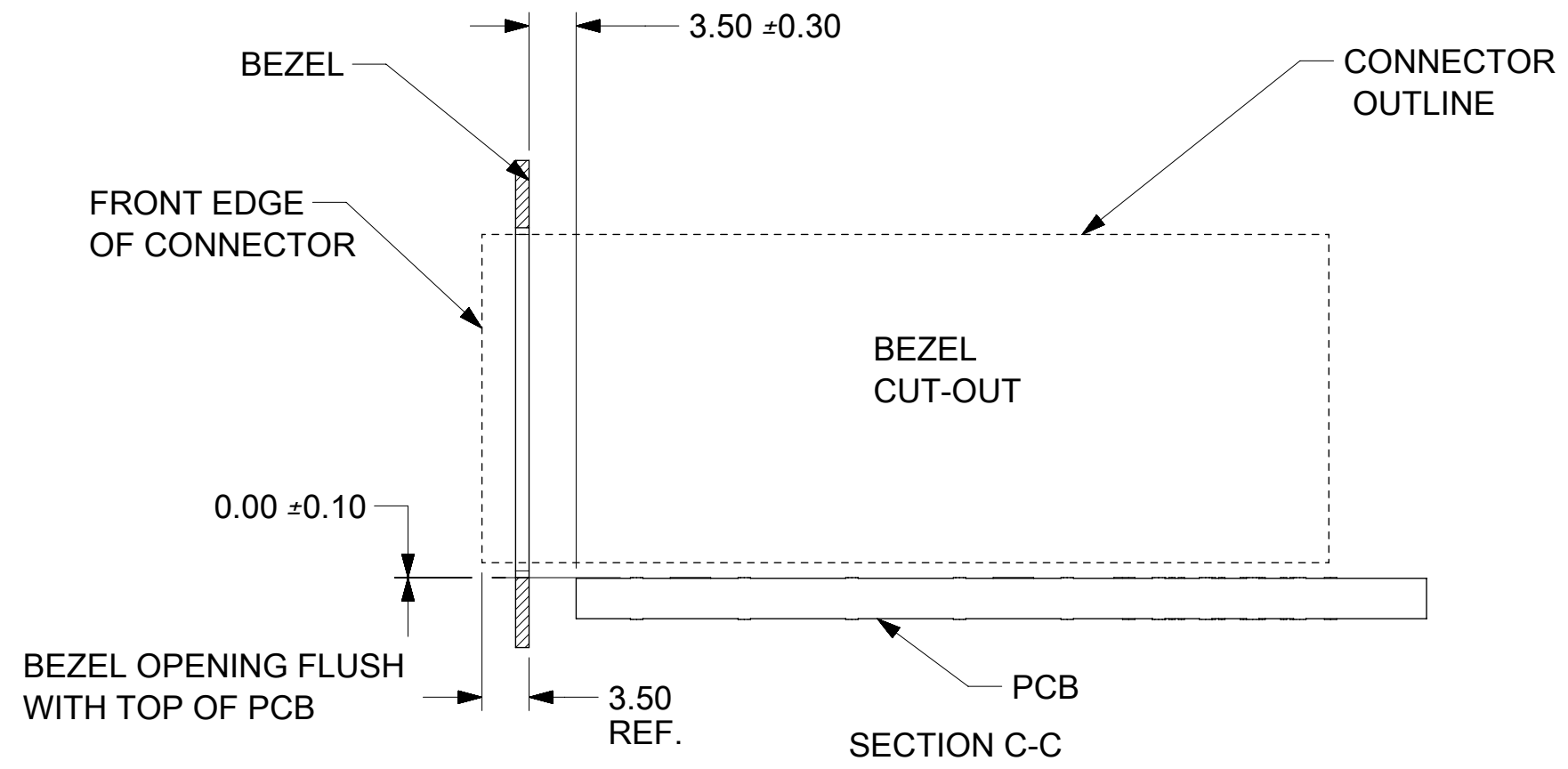
- NOTES:
1. THE ENTIRE AREA UNDER THE CONNECTOR IS A KEEP OUT ZONE FOR COMPONENTS AND TRACES, TOP LAYER ONLY, EXCEPT FOR CHASSIS GROUND.
 2. CROSS-HATCHED AREAS INDICATE PLACES WHERE THE PLASTIC HOUSING AND METAL CAGE MAY CONTACT PCB SURFACE. THESE AREAS ARE KEEP OUT ZONES. CROSS-HATCHED AREA UNDER THE CONNECTOR ARE TRACE AND VIA KEEP OUT AREAS FOR THE TOP LAYER.

HOLE CHART				
PORT SIZE	DIM "W"	SIGNALS (Ø0.37)	SHIELD GROUND (Ø0.56)	CONNECTOR LOCATION (Ø1.60)
2X1	14.25	40	24	2
2X2	28.50	80	39	4
2X4	57.00	160	69	8
2X6	85.50	240	99	12
2X8	114.00	320	129	16
2X12	171.00	480	189	24

THIS DRAWING CONTAINS INFORMATION THAT IS PROPRIETARY TO MOLEX ELECTRONIC TECHNOLOGIES, LLC AND SHOULD NOT BE USED WITHOUT WRITTEN PERMISSION													
DIMENSION UNITS: mm		SCALE: 3:1		CURRENT REV DESC: SEE REVISION HISTORY									
GENERAL TOLERANCES (UNLESS SPECIFIED)				<p>molex</p> <p>ZSFP+ STACKED FLOW THRU WITH ELASTOMERIC GASKET</p> <p>PRODUCT CUSTOMER DRAWING</p> <p>DOCUMENT NUMBER: SD-170071-0004 DOC TYPE: PSD DOC PART: 001 REVISION: A</p> <p>MATERIAL NUMBER: SEE CHART CUSTOMER: GENERAL MARKET SHEET NUMBER: 3 OF 5</p>									
ANGULAR TOL: ± 0.5°		4 PLACES: ±											
3 PLACES: ±		2 PLACES: ± 0.13											
1 PLACE: ± 0.25		0 PLACES: ±											
DRAFT WHERE APPLICABLE MUST REMAIN WITHIN DIMENSIONS		THIRD ANGLE PROJECTION								DRAWING: C-SIZE		SERIES: 170071	
EC NO: 622761		DRWN: TMARRI 2019/07/24								CHK'D: CWANG67 2019/08/22		APPR: RNELSON 2019/09/04	
INITIAL REVISION:		DRWN: JKACHLIC 2015/06/24		APPR: MBANAKIS 2015/06/25									



BEZEL CUT-OUT DETAIL
BEZEL THICKNESS 0.8-2.6



BEZEL CUT OUT FOR
CONNECTOR STACKING

CONFIGURATION	DIM "E"	DIM "S"
2X1	15.50	20.40 MINIMUM
2X2	29.75	34.65 MINIMUM
2X4	58.25	63.15 MINIMUM
2X6	86.75	91.65 MINIMUM
2X8	115.25	120.15 MINIMUM
2X12	172.25	177.15 MINIMUM

THIS DRAWING CONTAINS INFORMATION THAT IS PROPRIETARY TO MOLEX ELECTRONIC TECHNOLOGIES, LLC AND SHOULD NOT BE USED WITHOUT WRITTEN PERMISSION

DIMENSION UNITS mm	SCALE 2:1	CURRENT REV DESC: SEE REVISION HISTORY	molex		
GENERAL TOLERANCES (UNLESS SPECIFIED)		EC NO: 622761			
ANGULAR TOL ± 0.5°		DRWN: TMARRI 2019/07/24	PRODUCT CUSTOMER DRAWING		
4 PLACES ±		CHK'D: CWANG67 2019/08/22	DOCUMENT NUMBER		
3 PLACES ±		APPR: RNELSON 2019/09/04	SD-170071-0004		
2 PLACES ± 0.13		INITIAL REVISION:	DOC TYPE	DOC PART	REVISION
1 PLACE ± 0.25		DRWN: JKACHLIC 2015/06/24	PSD	001	A
0 PLACES ±		APPR: MBANAKIS 2015/06/25	SHEET NUMBER		
DRAFT WHERE APPLICABLE MUST REMAIN WITHIN DIMENSIONS	THIRD ANGLE PROJECTION	DRAWING	MATERIAL NUMBER	CUSTOMER	
		C-SIZE	SEE CHART	GENERAL MARKET	4 OF 5
		SERIES			
		170071			

H
G
F
E
D
C
B
A

REVISION HISTORY		
DATE	REV.	DESCRIPTION
2019/07/26	A	1.REMASTER FROM MM INTO ECTR. 2.ADD 2X1 1700711004 INTO P/N CHART. 3.ADD NOTES IN SHEET3 FOR KEEP OUT ZONE AREA.

THIS DRAWING CONTAINS INFORMATION THAT IS PROPRIETARY TO MOLEX ELECTRONIC TECHNOLOGIES, LLC AND SHOULD NOT BE USED WITHOUT WRITTEN PERMISSION

DIMENSION UNITS mm	SCALE 1:1	CURRENT REV DESC: SEE REVISION HISTORY	molex			
GENERAL TOLERANCES (UNLESS SPECIFIED)						
ANGULAR TOL ± 0.5°		EC NO: 622761	PRODUCT CUSTOMER DRAWING			
4 PLACES ±		DRWN: TMARRI 2019/07/24	DOCUMENT NUMBER	DOC TYPE	DOC PART	REVISION
3 PLACES ±		CHK'D: CWANG67 2019/08/22	SD-170071-0004	PSD	001	A
2 PLACES ± 0.13		APPR: RNELSON 2019/09/04				
1 PLACE ± 0.25		INITIAL REVISION:	MATERIAL NUMBER	CUSTOMER	SHEET NUMBER	
0 PLACES ±		DRWN: JKACHLIC 2015/06/24		GENERAL MARKET	5 OF 5	
		APPR: MBANAKIS 2015/06/25				
DRAFT WHERE APPLICABLE MUST REMAIN WITHIN DIMENSIONS	THIRD ANGLE PROJECTION	DRAWING	SERIES			
		C-SIZE	170071			

DOCUMENT STATUS	P1	RELEASE DATE	2019/09/04 07:37:08
-----------------	----	--------------	---------------------