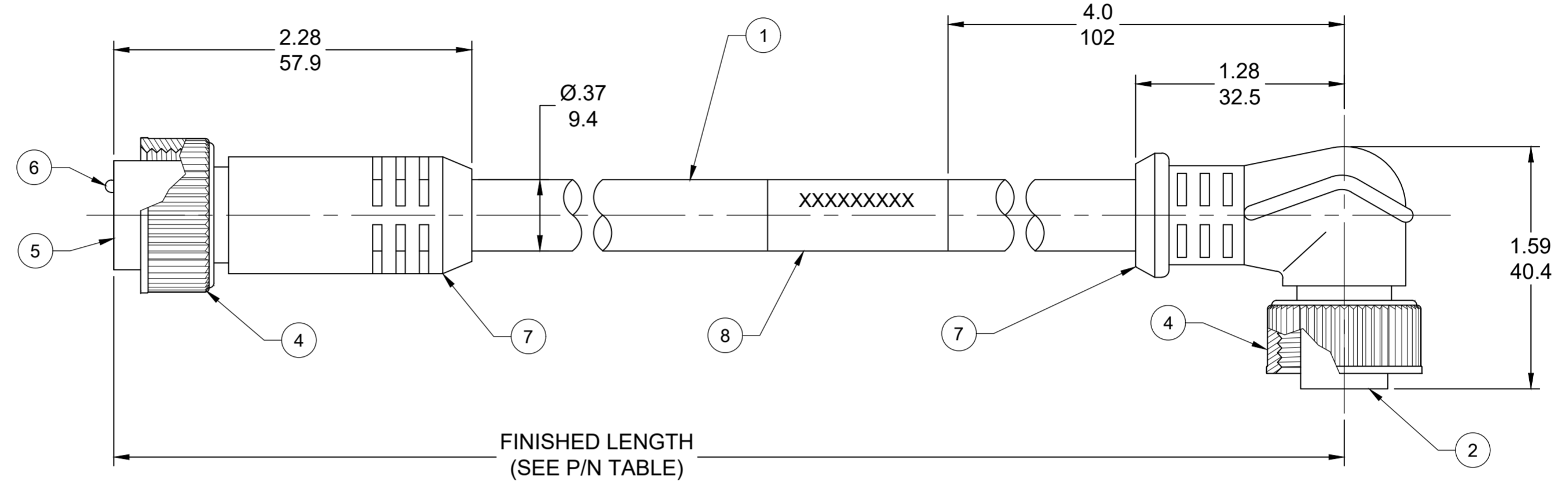
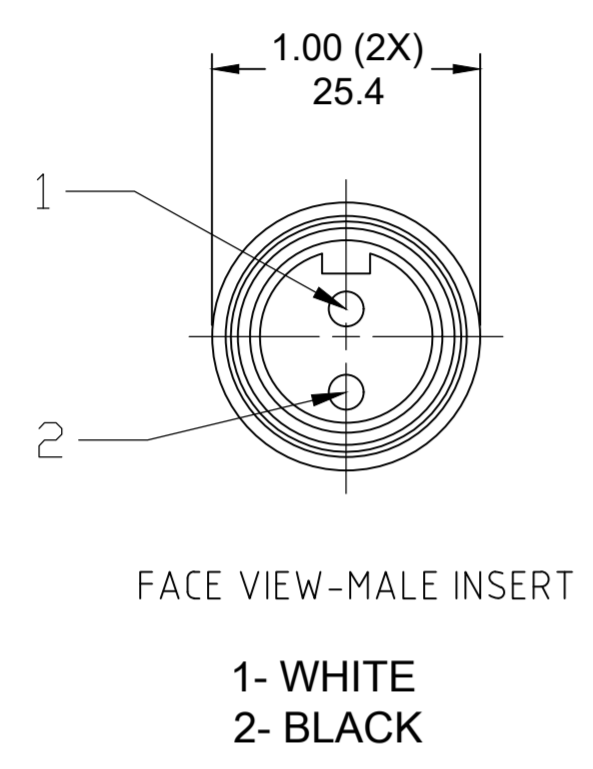


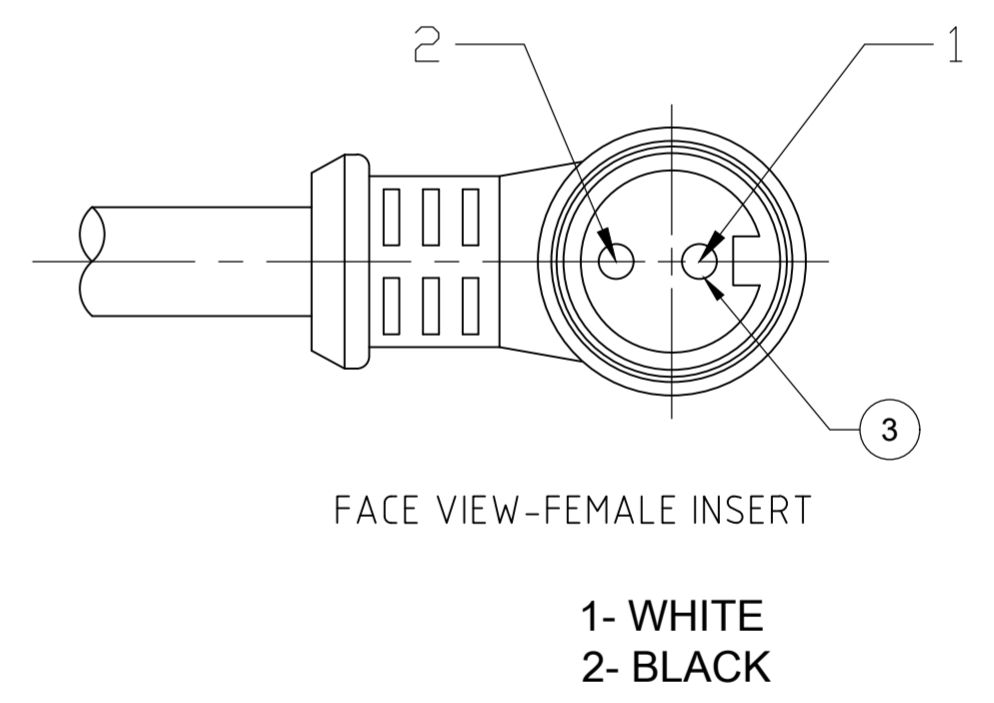
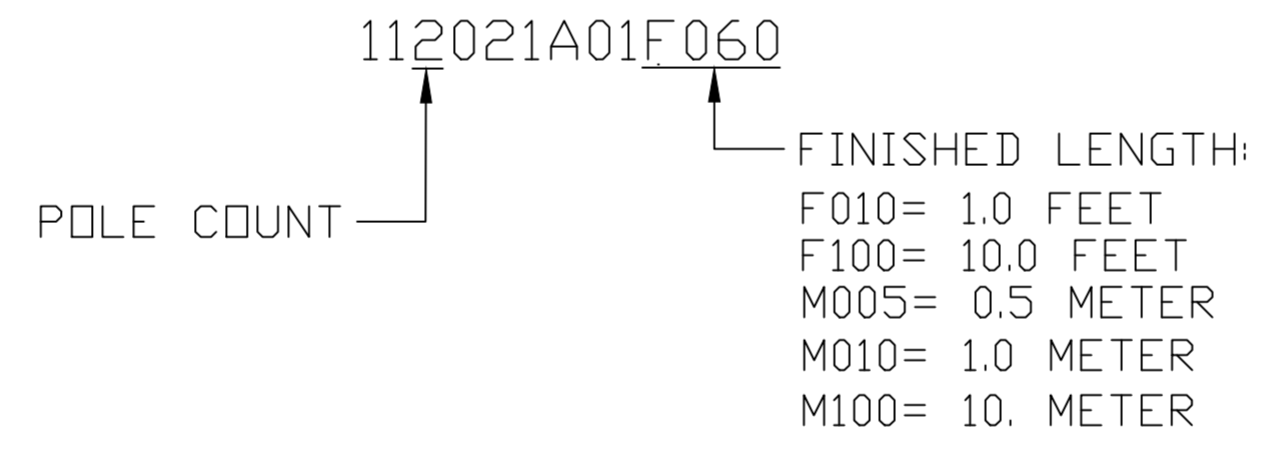
PART NO.	ENGINEERING NO.	FINISHED LENGTH
1300100002	112021A01F060	6.0 FT [1.8M]
1300100189	112021A01F030	3.0 FT [0.9M]
1300100191	112021A01F120	12.0 FT [3.7M]

CABLE LENGTH TOLERANCES			
>.3M [1FT]:	+19mm-0	[ +.75in-0]	
.3 - .9M [1 - 3FT]:	+44.5mm-0	[+1.75in-0]	
.9 - 1.8M [3 - 6FT]:	+55.6mm-0	[+2.19in-0]	
1.8 - 3.7M [6 - 12FT]:	+88.9mm-0	[+3.50in-0]	
3.7 - 7.3M [12 - 24FT]:	+165.1mm-0	[+6.50in-0]	
7.3-14.6M [24 - 48FT]:	+317.5mm-0	[+12.50in-0]	
14.6 - 30.5M [48-100FT]:	+622.3mm-0	[+24.50in-0]	
OVER 30M [100FT]	+2% OF FINISHED LENGTH		



- NOTES:**
- MATERIAL: AS NOTED
  - FINISH: AS NOTED
  - ELECTRICAL:  
VOLTAGE: 500V PER IEC 60664  
600V PER UL 2238  
CURRENT: 13A
  - TEMP RATING: -20°C TO +105°C
  - PROTECTION: IP67 (WHEN MATED)
  - COUPLING THREAD: 7/8-16 UN
  - UL RECOGNIZED FILE: E152210  
CSA FILE: LR6837
  - ALL DIMS ARE FOR REFERENCE UNLESS TOLERANCED OR NOTED OTHERWISE

**PART NUMBER LEGEND**



PRE-RELEASE  
REFERENCE  
USE ONLY

ITEM	DESCRIPTION	MATERIAL	FINISH
8	FLAG LABEL	VINYL	BLACK/YELLOW
7	OVERMOLD	TPE	YELLOW
6	CONTACT PIN	COPPER ALLOY	GOLD PLATED
5	MALE INSERT (A-SIZE)	TPE	YELLOW
4	COUPLING, INT. THRD	ZINC DIE-CAST	BLACK
3	CONTACT SOCKET	COPPER ALLOY	GOLD PLATED
2	FEMALE INSERT (A-SIZE)	TPE	YELLOW
1	CABLE, 16AWG (ST00W)	PVC JACKET	YELLOW

SYMBOLS				THIS DRAWING CONTAINS INFORMATION THAT IS PROPRIETARY TO MOLEX ELECTRONIC TECHNOLOGIES, LLC AND SHOULD NOT BE USED WITHOUT WRITTEN PERMISSION			
DIMENSION UNITS		SCALE		CURRENT REV DESC: RELEASED			
INCH/MM		1:1		<p><b>molex</b></p> <p>MINI-CHANGE CABLE ASSEMBLY 2P MALE/FEM, ST/90 16AWG ST00W</p> <p>PRODUCT CUSTOMER DRAWING</p> <p>DOCUMENT NUMBER: 1300100002    DOC TYPE: PSD    DOC PART: 000    REVISION: 1</p> <p>MATERIAL NUMBER:    CUSTOMER:    SHEET NUMBER: 1 OF 1</p>			
GENERAL TOLERANCES (UNLESS SPECIFIED)							
	mm	INCH					
4 PLACES	±----	±----					
3 PLACES	±----	±----					
2 PLACES	±----	±----					
1 PLACE	±----	±----					
0 PLACES	±----	±----					
ANGULAR TOL ± ---- °				EC NO: ----			
DRAFT WHERE APPLICABLE MUST REMAIN WITHIN DIMENSIONS				DRWN: RSTONE    2019/10/22			
THIRD ANGLE PROJECTION				CHK'D: MZIELINSKI    2019/10/31			
DRAWING				APPR: ----			
SERIES				INITIAL REVISION:			
C-SIZE    130010				DRWN: RSTONE    2019/10/22			
				APPR: ----			