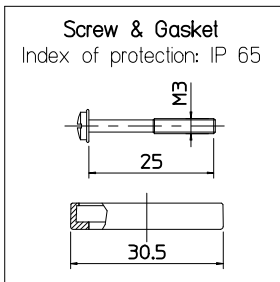
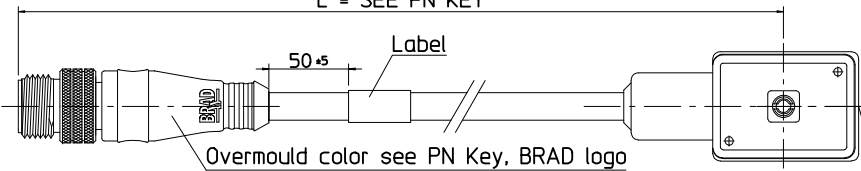
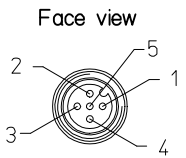


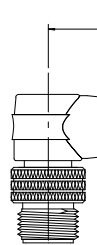
Over	Up to and including	Tolerance
0	1000	±20
1000	3000	±30
3000	5000	±40
5000	10000	±50
10000	15000	±100
15000	20000	±150
20000		±L/100



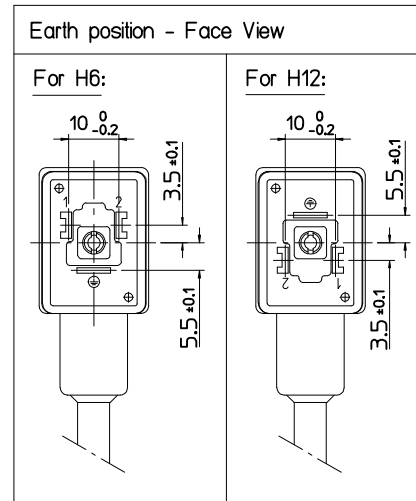
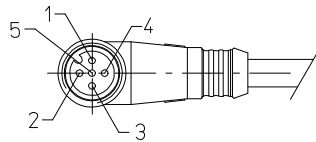
Male M12 Straight



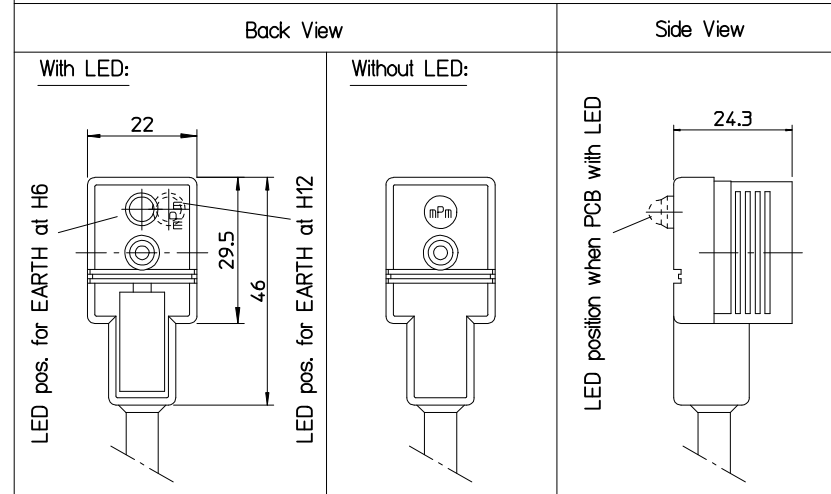
Male M12 90°



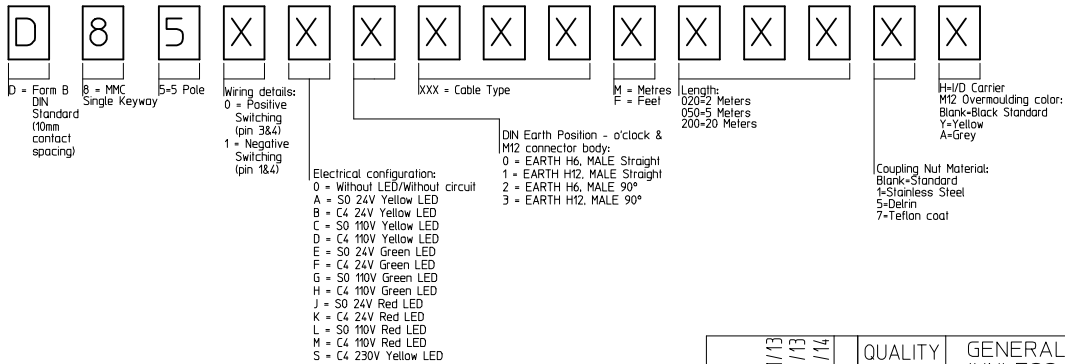
Face view



Connector Views



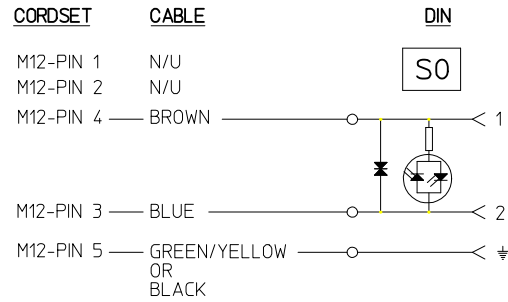
PART No MATRIX



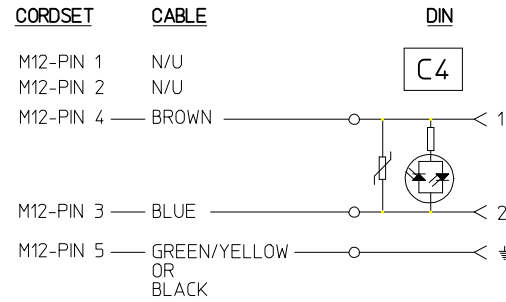
ADD CABLE B31 EC NO: IPG2014-0882 DRWN: JMARSZALEK 2013/11/13 CHKD: MSZWAJKOWSKI 2013/11/13 APPR: MIWASIECZKO 2013/11/14 B	QUALITY SYMBOLS ▽=0 ◻=0	GENERAL TOLERANCES (UNLESS SPECIFIED) mm INCH		DIMENSION STYLE MM ONLY		SCALE	DESIGN UNITS METRIC	FIRST ANGLE PROJECTION		
		4 PLACES	± ---	± ---	DRAWN BY	DATE	TITLE			
		3 PLACES	± ---	± ---	JMARSZALEK	2012/11/20	D85XXXXXXXXXX DIN B + CORDSETS M12 molex DOCUMENT NO. SD-121036-005 SHEET NO. 1 OF 3			
		2 PLACES	± ---	± ---	CHECKED BY	DATE				
		1 PLACE	± ---	± ---	MSZWAJKOWSKI	2012/11/20				
0 PLACE	± ---	± ---	APPROVED BY	DATE						
	± ---	± ---	MIWASIECZKO	2013/11/14						
ANGULAR ±---°		MATERIAL NO.		SEE SHEET 3						
DRAFT WHERE APPLICABLE MUST REMAIN WITHIN DIMENSIONS			SIZE A3		THIS DRAWING CONTAINS INFORMATION THAT IS PROPRIETARY TO MOLEX INCORPORATED AND SHOULD NOT BE USED WITHOUT WRITTEN PERMISSION					

Electrical diagrams

Electrical diagram with circuit S0 (zener diode) for:



Electrical diagram with circuit C4 (VDR) for:



Cable type

Cable Type	Jacket Material	Jacket Color	Wire cross section	Braid
A23	PVC	Black	0.75mm ²	no
A58	PVC	Black	20AWG	no
B08	PUR	Yellow	18AWG	no
E03	PVC	Black	0.34mm ²	no
E12	PVC	Black	0.5mm ²	no
I12	CEI PVC	Grey	0.5mm ²	no
P12	PUR	Black	0.5mm ²	no
P82	PUR IRR	Orange	0.34mm ²	no
S26	PVC	Yellow	0.34mm ²	yes
B31	PUR	Black	0.5mm ²	no

ADD CABLE B31 EC NO: IPG2014-0882 DRWN: JMARSZALEK 2013/11/13 CHKD: MSZWAJKOWSKI 2013/11/13 APPR: MIWASIECZKO 2013/11/14	QUALITY SYMBOLS	GENERAL TOLERANCES (UNLESS SPECIFIED)	DIMENSION STYLE	SCALE	DESIGN UNITS	FIRST ANGLE PROJECTION	
	=0 =0	mm INCH 4 PLACES ± --- ± --- 3 PLACES ± --- ± --- 2 PLACES ± --- ± --- 1 PLACE ± --- ± --- 0 PLACE ± --- ± --- ANGULAR ± --- °	MM ONLY	1:1	METRIC	DRAWN BY: JMARSZALEK DATE: 2012/11/20 CHECKED BY: MSZWAJKOWSKI DATE: 2012/11/20 APPROVED BY: MIWASIECZKO DATE: 2013/11/14	TITLE
		DRAFT WHERE APPLICABLE MUST REMAIN WITHIN DIMENSIONS	SEE SHEET 3	D85XXXXXXXXXX DIN B + CORDSETS M12			
				MATERIAL NO.	DOCUMENT NO.	SHEET NO.	
				SIZE: A3	SD-121036-005		2 OF 3

PART LIST

Pos.	Mollex PN:	Engineering No.:	Pos.	Mollex PN:	Engineering No.:	Pos.	Mollex PN:	Engineering No.:	Pos.	Mollex PN:	Engineering No.:	Pos.	Mollex PN:	Engineering No.:
1	1210350215	D85002E12M003	41	1210360891	D850B2B31M015	81			121			161		
2	1210350301	D85002E12M006	42	1210360892	D850B2B31M030	82			122			162		
3	1210350321	D850B2A23M006	43			83			123			163		
4	1210350322	D850B2A23M008	44			84			124			164		
5	1210360051	D850B0I12M010	45			85			125			165		
6	1210360056	D850B0P12M006	46			86			126			166		
7	1210360058	D850B0P12M020	47			87			127			167		
8	1210360065	D850B1I12M030	48			88			128			168		
9	1210360488	D850A0A58M030	49			89			129			169		
10	1210360489	D850A0A58M050	50			90			130			170		
11	1210360490	D850A0A58M100	51			91			131			171		
12	1210360541	D850B1P82M010	52			92			132			172		
13	1210360567	D850B0A58M020	53			93			133			173		
14	1210360572	D850B0S26M100	54			94			134			174		
15	1210360578	D850A0A58M020	55			95			135			175		
16	1210360579	D850B0E12M006	56			96			136			176		
17	1210360580	D850B0S26M006	57			97			137			177		
18	1210360581	D850B1B08M030	58			98			138			178		
19	1210360582	D850B1E12M006	59			99			139			179		
20	1210360669	D850B2E12M006	60			100			140			180		
21	1210360677	D850C0A58M100	61			101			141			181		
22	1210360684	D850B2E12M010	62			102			142			182		
23	1210360687	D850A2A58M010	63			103			143			183		
24	1210360698	D850B1P82M020	64			104			144			184		
25	1210360738	D850A0A58M015	65			105			145			185		
26	1210360739	D850B0A58M100	66			106			146			186		
27	1210360762	D850A0A58M070	67			107			147			187		
28	1210360825	D850B0P12M010	68			108			148			188		
29	1210360826	D850B0P12M015	69			109			149			189		
30	1210360827	D850B0P12M030	70			110			150			190		
31	1210360828	D850B2P12M006	71			111			151			191		
32	1210360829	D850B2P12M010	72			112			152			192		
33	1210360830	D850B2P12M015	73			113			153			193		
34	1210360831	D850B2P12M030	74			114			154			194		
35	1210360885	D850B0B31M006	75			115			155			195		
36	1210360886	D850B0B31M010	76			116			156			196		
37	1210360887	D850B0B31M015	77			117			157			197		
38	1210360888	D850B0B31M030	78			118			158			198		
39	1210360889	D850B2B31M006	79			119			159			199		
40	1210360890	D850B2B31M010	80			120			160			200		

ADD NEW PN'S EC NO: IPG2014-0882 DRWN: JMARSZALEK 2013/11/13 CHKD: MSZWAJKOWSKI 2013/11/13 APPR: MIWASIECZKO 2013/11/14	QUALITY SYMBOLS =0 =0	GENERAL TOLERANCES (UNLESS SPECIFIED)		DIMENSION STYLE MM ONLY	SCALE 1:1	DESIGN UNITS METRIC	FIRST ANGLE PROJECTION		
		4 PLACES ± --- ± --- 3 PLACES ± --- ± --- 2 PLACES ± --- ± --- 1 PLACE ± --- ± --- 0 PLACE ± --- ± ---	mm INCH ± --- ± --- ± --- ± --- ± --- ± --- ± --- ± ---	DRAWN BY JMARSZALEK	DATE 2012/11/20	TITLE D85XXXXXXXXXX DIN B + CORDSETS M12			
		ANGULAR ± --- °		CHECKED BY MSZWAJKOWSKI	DATE 2012/11/20				
		DRAFT WHERE APPLICABLE MUST REMAIN WITHIN DIMENSIONS		APPROVED BY MIWASIECZKO	DATE 2013/11/14	MATERIAL NO. SEE TABLE	DOCUMENT NO. SD-121036-005	SHEET NO. 3 OF 3	