

PIN	WIRE COLOR
1	BROWN
2	WHITE
3	BLUE
4	BLACK

# PART NO. MATRIX



80 = M12x1 SINGLE ENDED

POLES: 4 = 4 POLES

HEAD STYLE 3P1=PNP 90°(3xLed) FEMALE 90°

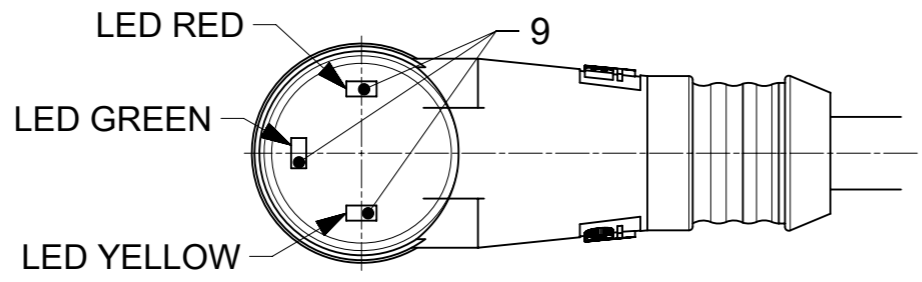
UNIT: M=Meter

LENGTH EXAMPLES: 005=0.5 unit 010=1 unit 100=10 units

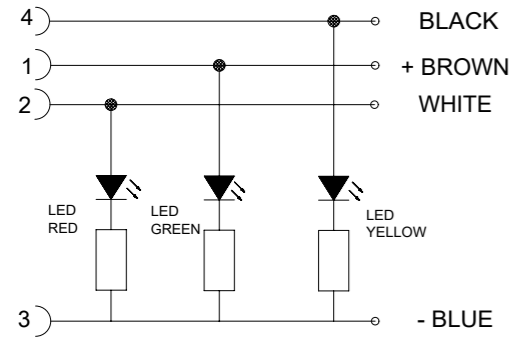
MOULDING COLOR: Blank (Standard)=TR A=GREY G=BLACK Y=YELLOW

COUPLING NUT: Blank (Standard) =Knurled HEX Brass Ni Plated 7=Knurled Brass Ni Plated, Teflon Coated H= 2 pcs. of I/D Carrier PVC Transparent FOR CABLE B36

CABLE TYPE: B36 - 0,34mm<sup>2</sup>, TPU ORANGE

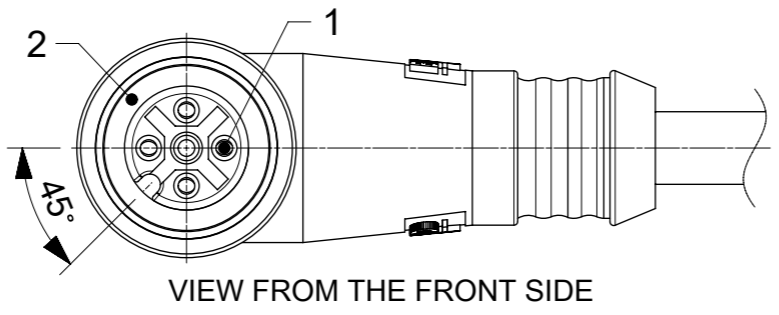
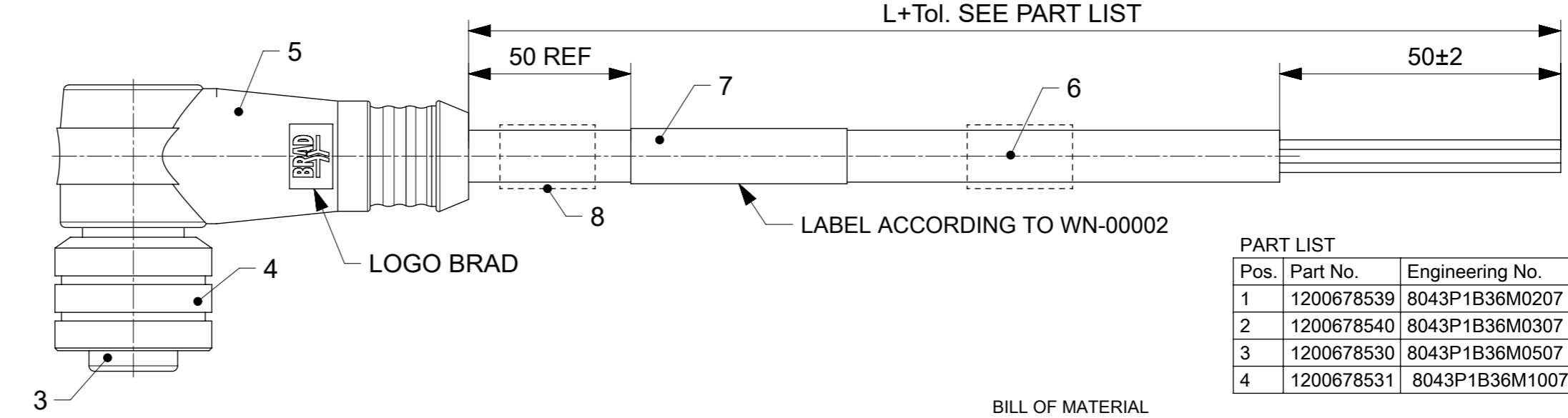


## PNP WIRING



## TECHNICAL DATA:

CURRENT RATING : 4.0A  
VOLTAGE RATING : 250V  
PROTECTION CLASS : IP67  
TEMPERATURE: -25°C TO +85°C



## PART LIST

Pos.	Part No.	Engineering No.	L [mm]
1	1200678539	8043P1B36M0207	2000 +40
2	1200678540	8043P1B36M0307	3000 +60
3	1200678530	8043P1B36M0507	5000 +60
4	1200678531	8043P1B36M1007	10000 +80

## BILL OF MATERIAL

ITEM	QTY.	DESCRIPTION	MATERIAL	FINISH/COLOR
9	1	3x LED PCB	FR4	-
8	2	I/D CARRIER	PVC	TRASPARENT
7	1	LABEL	VINYL	YELLOW
6	-	CABLE	TPU	ORANGE
5	-	OVERMOULDING	TPU	SEE PART LIST
4	1	COUPLING NUT FEMALE	BRASS	SEE PART LIST
3	1	INSERT FEMALE	PUR	BLACK
2	1	ORING	FPM	RED
1	4	CONTACT M12 FEMALE	BRONZE	SELECTIVE GOLD OVER NICKEL

## CABLE INFORMATION :

CABLE TYPE	NO. OF WIRES	CROSS SECTION	CABLE JACKET	UL	CSA	STATIC: TEMP. / BENDING RADIUS	DYNAMIC: TEMP. / BENDING RADIUS	DRAG CHAIN: TEMP. / BENDING RADIUS	DRAG CHAIN	CABLE PRODUCT SPECIFICATION	CABLE SPEC. DRAWING
B36	4	0.34mm <sup>2</sup>	TPU Orange	UL 21215/758	C22.2/II A/B 80°/600V	-40°C TO +90°C 5xO.D.	-25°C TO +80°C 7.5xO.D.	-5°C TO +60°C 7.5xO.D.	up to 5 000 000 cycles at temp 20°C	1552200001	SD-120209-001

FUNCTIONAL SYMBOLS:  $\nabla_A = 0$ ,  $\nabla_E = 0$ ,  $\nabla_V = 0$

THIS DRAWING CONTAINS INFORMATION THAT IS PROPRIETARY TO MOLEX ELECTRONIC TECHNOLOGIES, LLC AND SHOULD NOT BE USED WITHOUT WRITTEN PERMISSION

SCALE: 1:1

GENERAL TOLERANCES (UNLESS SPECIFIED): ANGULAR TOL ± 1.0°

DIVISIONAL SYMBOLS: 4 PLACES ±, 3 PLACES ± 0.05, 2 PLACES ± 0.3, 1 PLACE ± 0.5, 0 PLACES ±

DRAFT WHERE APPLICABLE MUST REMAIN WITHIN DIMENSIONS

THIRD ANGLE PROJECTION

DRAWING: A3-SIZE

SERIES: 120067

MATERIAL NUMBER: SEE PART LIST

CUSTOMER: GENERAL MARKET

SHEET NUMBER: 1 OF 1

EC NO: 673006  
DRWN: RSCHIEBER 2021/08/09  
CHK'D: RSILLER 2021/08/09  
APPR: RSILLER 2021/08/09

INITIAL REVISION:  
DRWN: MDHARMANTI 2019/03/05  
APPR: RSILLER 2019/03/21

DOCUMENT NUMBER: 1200678530

DOC TYPE: PSD

DOC PART: 000

REVISION: A2

**molex**

CSE M12 4P 3LED RA WSOR XM

PRODUCT CUSTOMER DRAWING

DOCUMENT STATUS	P1	RELEASE DATE	2021/08/09	13:20:40
-----------------	----	--------------	------------	----------