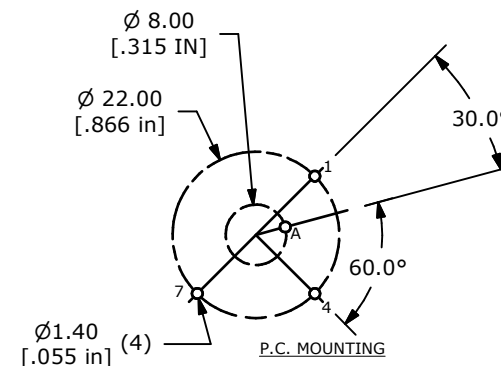
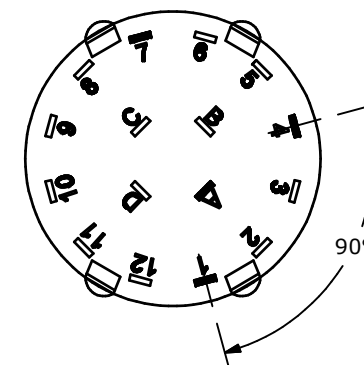
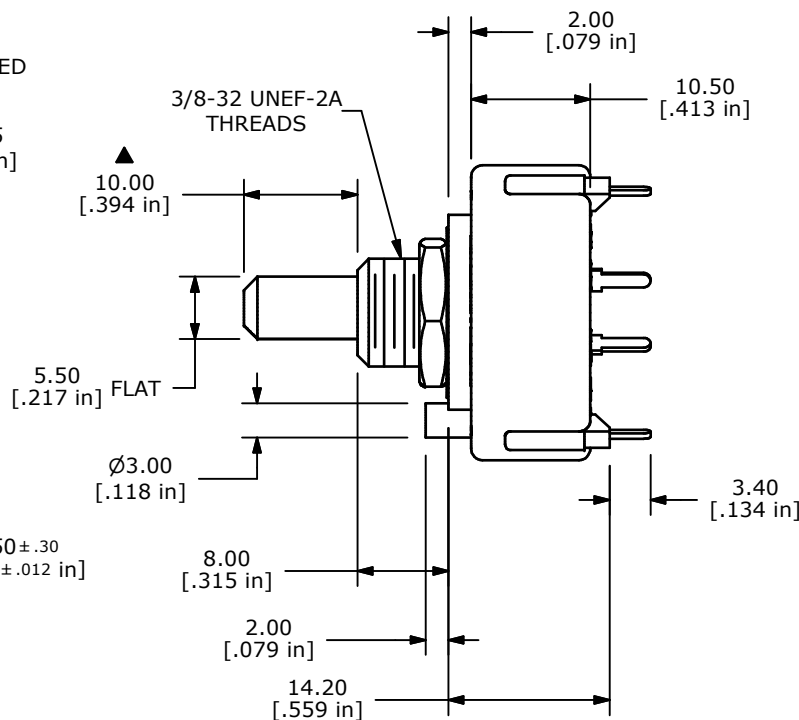
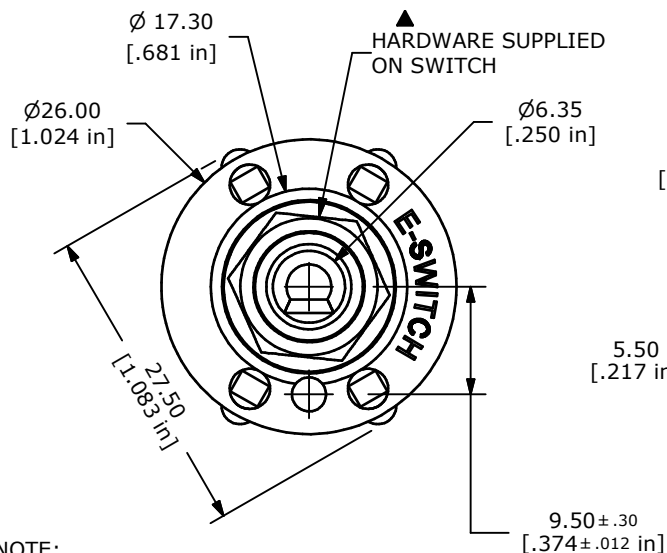
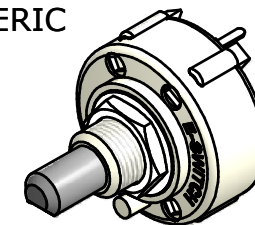


▲ CONTACT CONFIGURATION
TIMING (BBM) NON-SHORTING

ISOMERIC



NOTE:

1. ALL DIMENSIONS IN MM[INCH].
2. GENERAL TOLERANCE: X.X=± 0.4
X.XX=± 0.25
3. TERM. NOS. FOR REFERENCE ONLY.
- ▲ 4. CONTACT MATERIAL: GOLD
5. CONTACT RATING: 150MILLIAMPS, 250VAC/DC
350MILLIAMPS, 110VAC/DC
6. CONTACT RATING (NON-SWITCHING): 5A
7. OPERATING FORCE: 800 ± 300 gm/cm
- ▲ 8. OPERATING TEMP: -30°C TO 85°C
9. CIRCUIT SP: 3 POSITION - 90° INDEX.
- ▲ 10. WITHSTAND VOLTAGE: 500VAC FOR 1 MINUTE.
11. HARDWARE SUPPLIED ON SWITCH:
LOCKWASHER, HEXNUT, STOP RING
12. ▲ DENOTES CRITICAL PARAMETER.
13. 2002/95/EC (ROHS) COMPLIANT



TITLE KC56A10.001NPF

A	18427	RELEASED FOR PRODUCTION	3/11/09	BLR
REV	PCR NO	DESCRIPTION	DATE	BY

SCALE	DATE	DR	DWG	REV
1.5:1	3/11/2009	BLR	G527571	A

THE INFORMATION CONTAINED IN THIS DOCUMENT IS PROPRIETARY TO E-SWITCH AND IS NOT TO BE COPIED OR TRANSFERRED