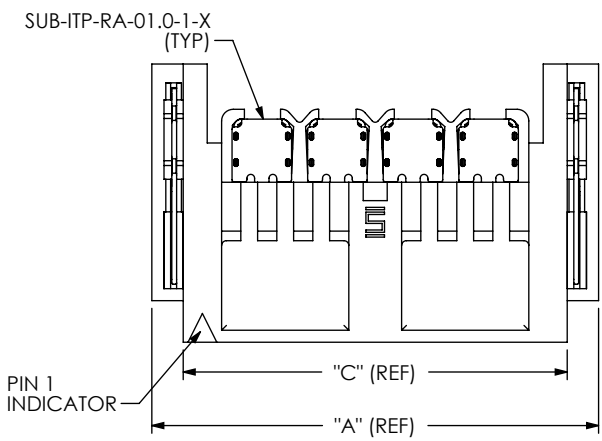


DO NOT SCALE FROM THIS PRINT



IP5-XX-01-X-X-RA1-X-TR

- No. OF POSITIONS PER ROW
 - *-01: 1 POSITION
 - 02: 2 POSITIONS
 - 04: 4 POSITIONS
 - 06: 6 POSITIONS
 - 08: 8 POSITIONS
 - *-10: 10 POSITIONS
- LEAD STYLE
 - 01: RIGHT ANGLE
- PLATING OPTIONS
 - L: 10μ" GOLD ON CONTACT, MATTE TIN ON SIGNAL TAILS, SHIELDS, & WELD TABS
 - S: 30μ" GOLD ON CONTACT, MATTE TIN ON SIGNAL TAILS, SHIELDS, & WELD TABS
- PACKAGING
 - TR: TAPE AND REEL (SEE NOTE 3)
- OPTIONS
 - L: CABLE LATCH
- TAIL OPTIONS
 - RA1: .062" THICK BOARD
- ROW
 - S: SINGLE ROW

(* = NOT TOOLED)

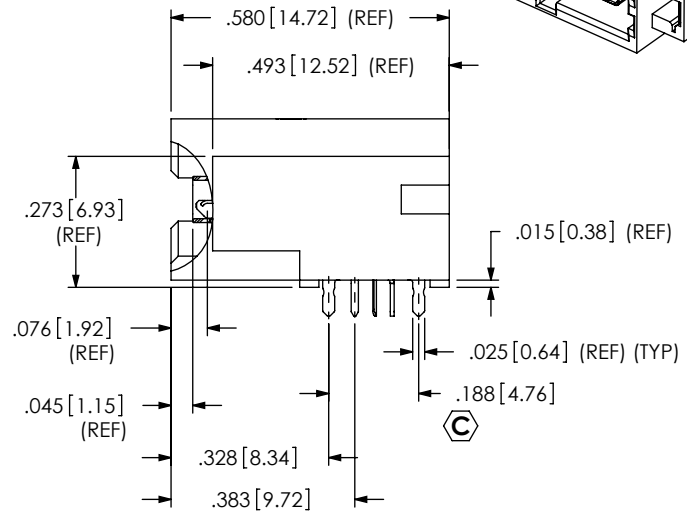
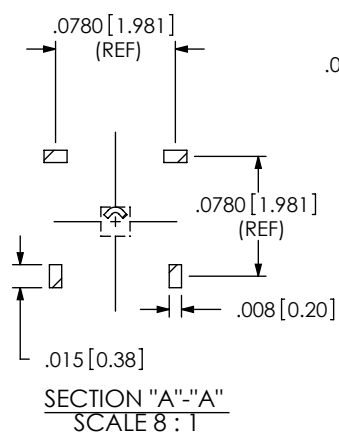
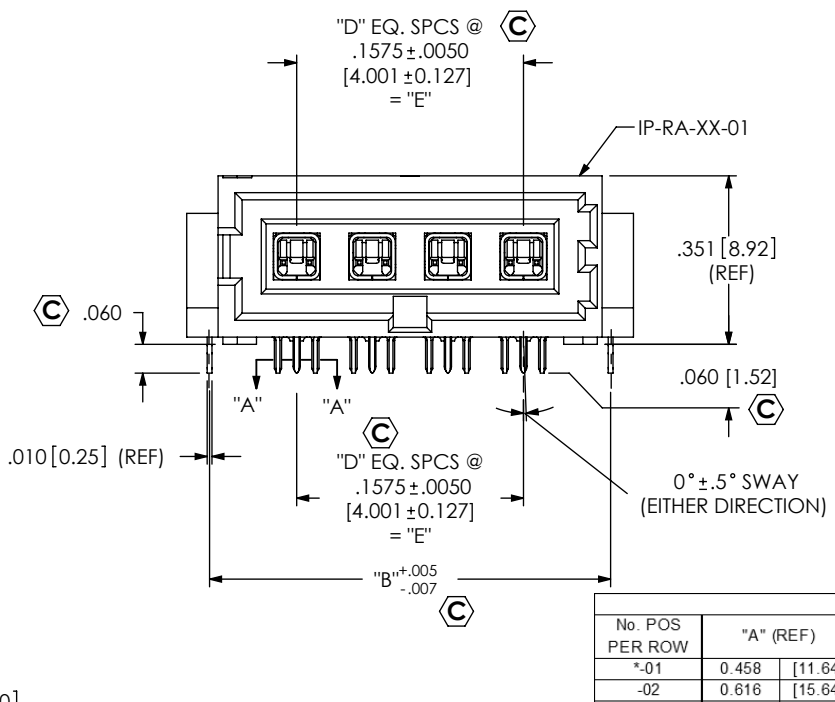
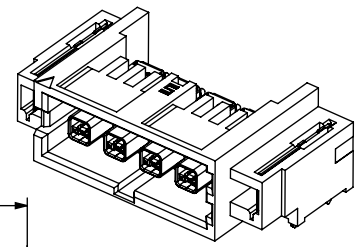


TABLE 2

No. POS PER ROW	"A" (REF)	"B"	"C" (REF)	"D"	"E"
*-01	0.458 [11.64]	0.365 [9.27]	0.328 [8.32]	N/A	N/A
-02	0.616 [15.64]	0.523 [13.27]	0.485 [12.32]	1	0.1575 [4.001]
-04	0.931 [23.64]	0.838 [21.27]	0.800 [20.32]	3	0.4725 [12.002]
-06	1.246 [31.64]	1.153 [29.27]	1.115 [28.32]	5	0.7875 [20.003]
-08	1.561 [39.64]	1.468 [37.27]	1.430 [36.32]	7	1.1025 [28.004]
*-10	1.876 [47.64]	1.783 [45.28]	1.745 [44.32]	8	1.4175 [36.005]

(* = NOT TOOLED)

TABLE 1

ASSEMBLY	BODY	SUB-ASSEMBLY	WELD TAB
IP5-XX-01-X-S-RA1	IP-RA-XX-01	SUB-ITP-RA-01.0-1-X	WT-45-01-T
IP5-XX-01-X-S-RA1-L	IP-RA-XX-01-L	SUB-ITP-RA-01.0-1-X	WT-45-01-T

UNLESS OTHERWISE SPECIFIED, DIMENSIONS ARE IN INCHES [MILLIMETERS]

TOLERANCES ARE:

DECIMALS ANGLES

.XX: ±.01 [.3] 2°

.XXX: ±.005 [.13]

.XXXX: ±.0030 [.076]

PROPRIETARY NOTE
THIS DOCUMENT CONTAINS INFORMATION CONFIDENTIAL AND PROPRIETARY TO SAMTEC, INC. AND SHALL NOT BE REPRODUCED OR TRANSFERRED TO OTHER DOCUMENTS OR DISCLOSED TO OTHERS OR USED FOR ANY PURPOSE OTHER THAN THAT WHICH IT WAS OBTAINED WITHOUT THE EXPRESSED WRITTEN CONSENT OF SAMTEC, INC.

520 PARK EAST BLVD, NEW ALBANY, IN 47150
PHONE: 812-944-6733 FAX: 812-948-5047
e-Mail: info@SAMTEC.com code: 55322

- NOTES:
- ⊕ REPRESENTS A CRITICAL DIMENSION.
 - DELETED
 - FOR QUANTITIES UP TO 49 PIECES, NO LEADER, TRAILER OR REEL WILL BE SUPPLIED. FOR QUANTITIES OF 50-124 PIECES, NO LEADER OR TRAILER WILL BE SUPPLIED.
 - ITP5-RA AND WT PUSH OUT TO BE .5 LBS (2.2N)

MATERIAL: DO NOT SCALE DRAWING SHEET SCALE: 4:1

BODY: HIGH TEMP NYLON
SHIELD & WELD TAB: PHOS BRZ.
TERMINAL: COPPER ALLOY
DIELECTRIC: LCP, COLOR: BLACK

DESCRIPTION:
IP5-RA CONNECTOR ASSEMBLY

DWG. NO.
IP5-XX-01-X-X-RA1-X-TR

BY: KNOWLDEN 6/27/08 SHEET 1 OF 2

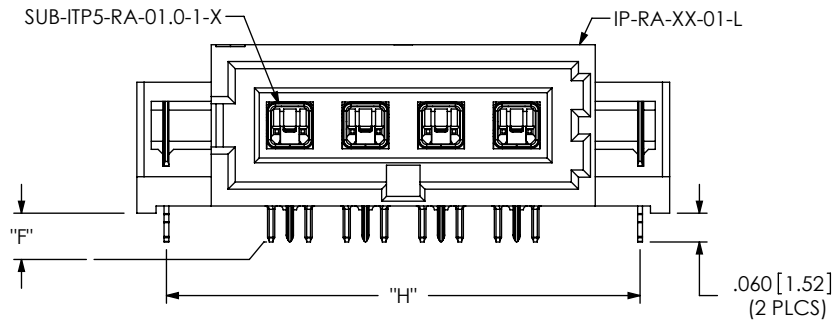
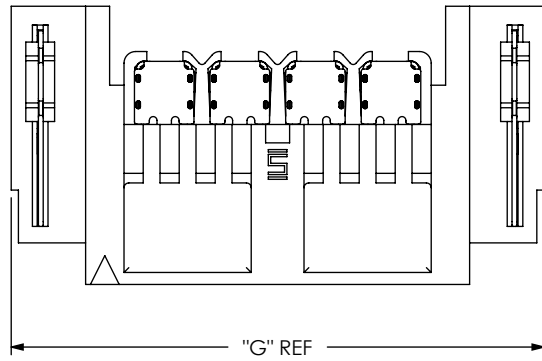
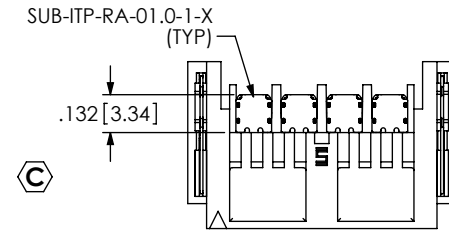


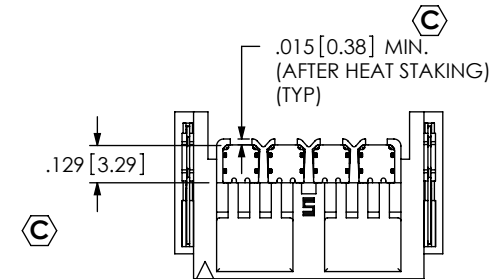
FIG 2
(IP5-04-01-L-S-XXX-L SHOWN)
(SAME AS FIG 1, EXCEPT AS SHOWN)

TABLE 4				
No. POS PER ROW	"G" (REF)		"H"	
*-01	0.638	[16.19]	0.514	[13.06]
-02	0.795	[20.19]	0.672	[17.06]
-04	1.110	[28.19]	0.987	[25.06]
-06	1.425	[36.20]	1.302	[33.06]
-08	1.740	[44.20]	1.617	[41.06]
*-10	2.055	[52.20]	1.932	[49.07]
(* = NOT TOOLED)				

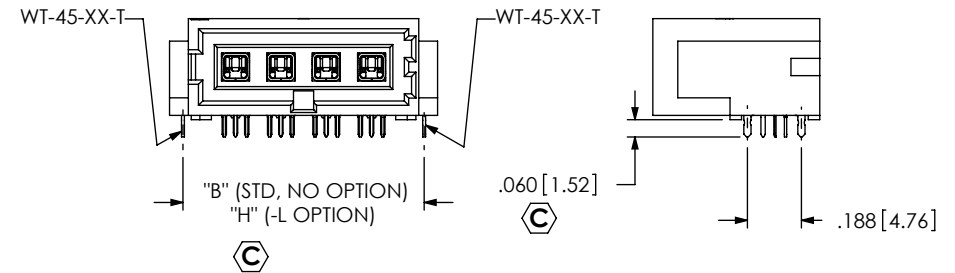
PROCESS STEP 1
(FILLING ITP-RA SUB ASSEMBLIES INTO BODY)



PROCESS STEP 2
(HEAT STAKING ITP-RA SUB ASSEMBLIES INTO BODY)



PROCESS STEP 3
(FILL WT-45-XX-T WELD TABS)



PROPRIETARY NOTE
THIS DOCUMENT CONTAINS INFORMATION
CONFIDENTIAL AND PROPRIETARY TO
SAMTEC, INC. AND SHALL NOT BE REPRODUCED
OR TRANSFERRED TO OTHER DOCUMENTS OR
DISCLOSED TO OTHERS OR USED FOR ANY
PURPOSE OTHER THAN THAT WHICH IT WAS
OBTAINED WITHOUT THE EXPRESSED WRITTEN
CONSENT OF SAMTEC, INC.

DO NOT SCALE DRAWING

SHEET SCALE: 4:1

samtec

520 PARK EAST BLVD, NEW ALBANY, IN 47150
PHONE: 812-944-6733 FAX: 812-948-5047
e-Mail: info@SAMTEC.com code: 55322

DESCRIPTION:
IP5-RA CONNECTOR ASSEMBLY

DWG. NO.
IP5-XX-01-X-X-RA1-X-TR

BY: KNOWLDEN 6/27/08 SHEET 2 OF 2