

This document is the property of Amphenol Corporation and is delivered on the express condition that it is not to be disclosed, reproduced or used, in whole or in part, for manufacture or sale by anyone other than Amphenol Corporation without its prior consent, and that no right is granted to disclose or to use any information in this document.

The marking on this product doesn't contain environmental hazardous materials per Material Specification 55-00259 for Sony GP compliant or per directive 2011/65/EU for RoHS compliant.

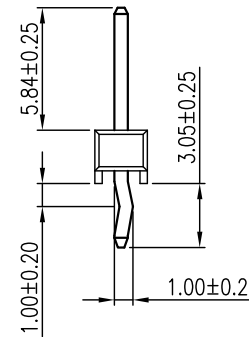
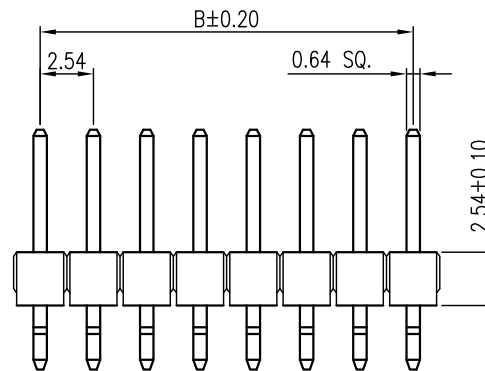
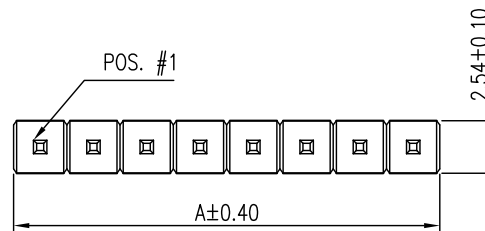


ORIGINAL

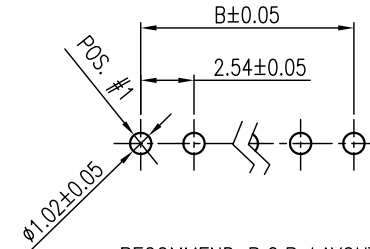


REVISIONS				
SYM	ECN No.	DESCRIPTION	DATE	APPROVED
A	NE-13047	RELEASE REVISION	04/12/2013	Roger Tsai

G800 268 XXX KYEU	1 x 40 = 40	101.60	99.06
G800 269 XXX KYEU	1 x 39 = 39	99.06	96.52
G800 270 XXX KYEU	1 x 38 = 38	96.52	93.98
G800 271 XXX KYEU	1 x 37 = 37	93.98	91.44
G800 272 XXX KYEU	1 x 36 = 36	91.44	88.90
G800 273 XXX KYEU	1 x 35 = 35	88.90	86.36
G800 274 XXX KYEU	1 x 34 = 34	86.36	83.82
G800 275 XXX KYEU	1 x 33 = 33	83.82	81.28
G800 276 XXX KYEU	1 x 32 = 32	81.28	78.74
G800 277 XXX KYEU	1 x 31 = 31	78.74	76.20
G800 278 XXX KYEU	1 x 30 = 30	76.20	73.66
G800 279 XXX KYEU	1 x 29 = 29	73.66	71.12
G800 280 XXX KYEU	1 x 28 = 28	71.12	68.58
G800 281 XXX KYEU	1 x 27 = 27	68.58	66.04
G800 282 XXX KYEU	1 x 26 = 26	66.04	63.50
G800 283 XXX KYEU	1 x 25 = 25	63.50	60.96
G800 284 XXX KYEU	1 x 24 = 24	60.96	58.42
G800 285 XXX KYEU	1 x 23 = 23	58.42	55.88
G800 286 XXX KYEU	1 x 22 = 22	55.88	53.34
G800 287 XXX KYEU	1 x 21 = 21	53.34	50.80
G800 288 XXX KYEU	1 x 20 = 20	50.80	48.26
G800 289 XXX KYEU	1 x 19 = 19	48.26	45.72
G800 290 XXX KYEU	1 x 18 = 18	45.72	43.18
G800 291 XXX KYEU	1 x 17 = 17	43.18	40.64
G800 292 XXX KYEU	1 x 16 = 16	40.64	38.10
G800 293 XXX KYEU	1 x 15 = 15	38.10	35.56
G800 294 XXX KYEU	1 x 14 = 14	35.56	33.02
G800 295 XXX KYEU	1 x 13 = 13	33.02	30.48
G800 296 XXX KYEU	1 x 12 = 12	30.48	27.94
G800 297 XXX KYEU	1 x 11 = 11	27.94	25.40
G800 298 XXX KYEU	1 x 10 = 10	25.40	22.86
G800 299 XXX KYEU	1 x 9 = 9	22.86	20.32
G800 300 XXX KYEU	1 x 8 = 8	20.32	17.78
G800 301 XXX KYEU	1 x 7 = 7	17.78	15.24
G800 302 XXX KYEU	1 x 6 = 6	15.24	12.70
G800 303 XXX KYEU	1 x 5 = 5	12.70	10.16
G800 304 XXX KYEU	1 x 4 = 4	10.16	7.62
G800 305 XXX KYEU	1 x 3 = 3	7.62	5.08
G800 306 XXX KYEU	1 x 2 = 2	5.08	2.54
PART NUMBER	NO. OF POS.	A	B



PART NO. G800 XXX XXX KYEU
 NO. OF POSITION — CONTACT FINISH
 005: 15μ" GOLD
 010: 30μ" GOLD
 018: FULL GOLD FLASH
 025: 5μ" GOLD
 032: FULL 100μ" TIN



RECOMMEND P.C.B LAYOUT
 ALL TOLERANCE ±0.05

NOTES:

- MATERIAL:
 HOUSING: HIGH TEMPERATURE THERMAL PLASTIC, NYLON 6T, UL94V-0.
 COLOR: BLACK.
 TERMINAL: COPPER ALLOY.
- FINISH:
 TERMINAL:
 CONTACT AREA: SELECTIVE GOLD OR TIN PLATING 100 μ" THICKNESS MIN.;
 SOLDERING AREA: GOLD FLASH OR TIN PLATING 100 μ" THICKNESS MIN.;
 UNDER PLATING: NICKEL PLATING 50 μ" THICKNESS MIN. OVERALL.
- THIS PRODUCT DOESN'T CONTAIN ENVIRONMENTAL HAZARDOUS PER DIRECTIVE 2011/65/EU FOR RoHS COMPLIANT.

TOLERANCE		APPROVALS		DATE	TITLE		Amphenol®		
X.		DRAWN	Aqua Chou	04/12/2013	G800 SERIES, HEADER		Amphenol Corporation		
X.X	±0.30	CHECKED	Roger Tsai	04/12/2013	2.54 PITCH, SINGLE ROW		Amphenol Taiwan Corporation		
X.XX	±0.20	APPROVED	Roger Tsai	04/12/2013	V/T, PCB MOUNT W/ KINK		PART No.	G800XXXXXXKYEU	
X.XXX	±0.10	DWG TYPE	CUST DWG	PROJECT CODE	HEAD	UNIT	mm	SIZE	A3
ANGULAR	±1°					SCALE	NA	SHEET	1 OF 2
UNLESS OTHERWISE SPECIFIED								DWG No.	G800XXXXXXKYEU
								REV.	A

This document is the property of Amphenol Corporation and is delivered on the express condition that is not to be disclosed, reproduced or used, in whole or in part, for manufacture or sale by anyone other than Amphenol Corporation without its prior consent, and that no right is granted to disclose or to use any information in this document.

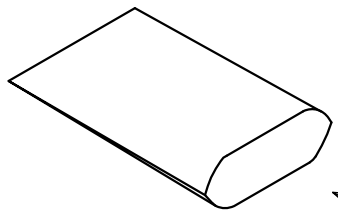
The marking on this product doesn't contain environmental hazardous materials per Material Specification 55-00259 for Sony GP compliant or per directive 2011/65/EU for RoHS compliant.



ORIGINAL



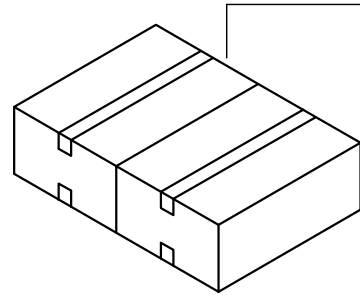
REVISIONS				
SYM	ECN No.	DESCRIPTION	DATE	APPROVED
A	NE-13047	RELEASE REVISION	04/12/2013	Roger Tsai



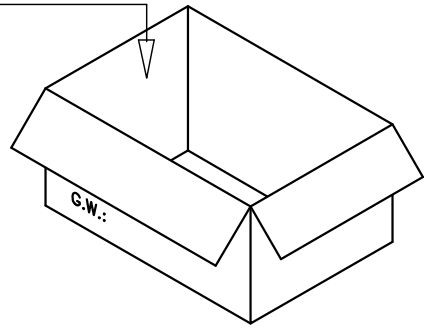
PE BAG



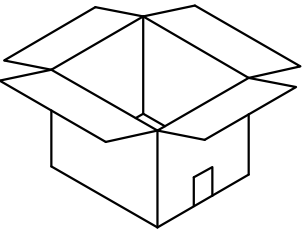
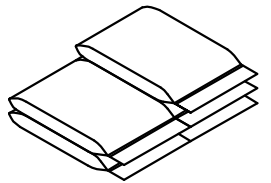
PART NO.



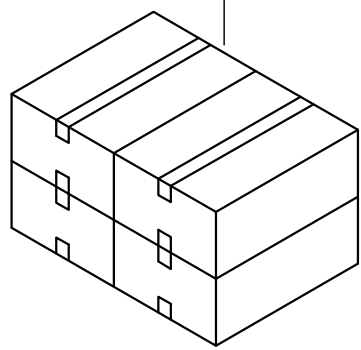
INNER CARTON X2



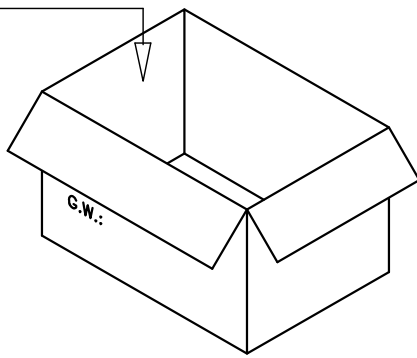
SHIPPING CARTON



INNER CARTON



INNER CARTON X4



SHIPPING CARTON

G800 305 XXX KYEU	1X3	1000	15	21.5X17.5X15	30000 PCS	37X25X21	5.2 KG	5.8 KG	60000 PCS	37X25X33	10.4 KG	11.4 KG
G800 306 XXX KYEU	1X2	2000	15	21.5X17.5X15	60000 PCS	37X25X21	6.9 KG	7.5 KG	120000 PCS	37X25X33	13.8 KG	14.8 KG
PART NO.	POS.	PCS	PE BAG	SIZE(CM)	2 INNER BOXES	SIZE(CM)	N.W	G.W	4 INNER BOXES	SIZE(CM)	N.W	G.W
		PE PAG	INNER CARTON	2 INNER BOXES/SHIPPING CARTON				4 INNER BOXES/SHIPPING CARTON				

TOLERANCE			APPROVALS		DATE	TITLE			Amphenol®				
X.			DRAWN	Aqua Chou	04/12/2013	G800 SERIES, HEADER			Amphenol Corporation				
X.X	±0.30		CHECKED	Roger Tsai	04/12/2013	2.54 PITCH, SINGLE ROW			Amphenol Taiwan Corporation				
X.XX	±0.20		APPROVED	Roger Tsai	04/12/2013	V/T, PCB MOUNT W/ KINK			PART No.	G800XXXXXXKYEU			
X.XXX	±0.10								UNIT	mm	SIZE	A3	
ANGULAR	±1°		DWG TYPE	CUST DWG	PROJECT CODE	HEAD			SCALE	NA	SHEET	2 OF 2	
UNLESS OTHERWISE SPECIFIED									DWG No.	G800XXXXXXKYEU		REV.	A