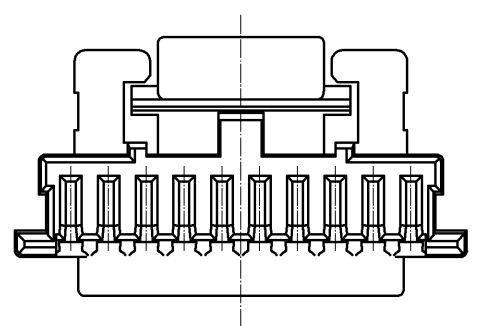
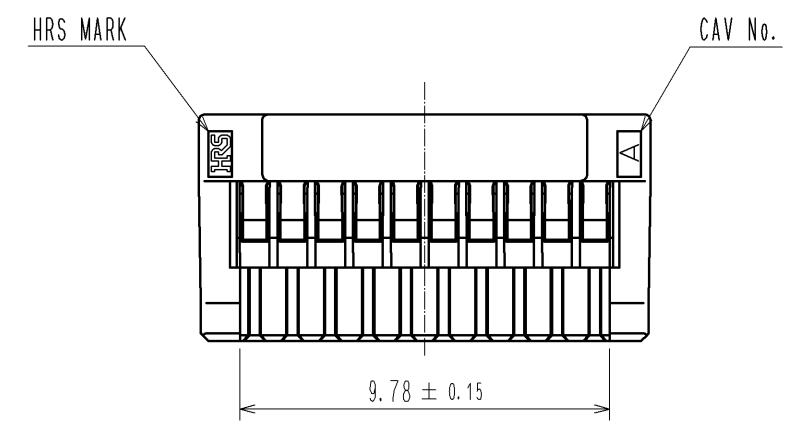
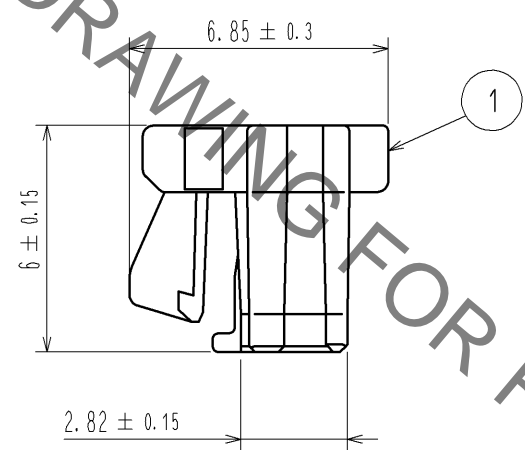
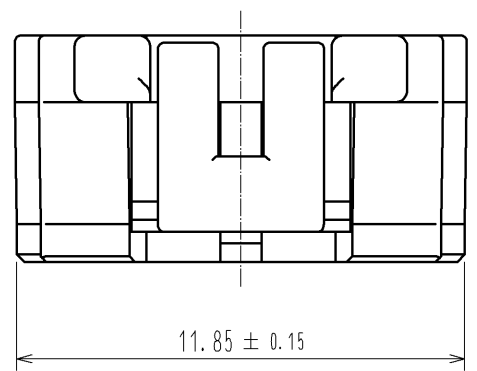
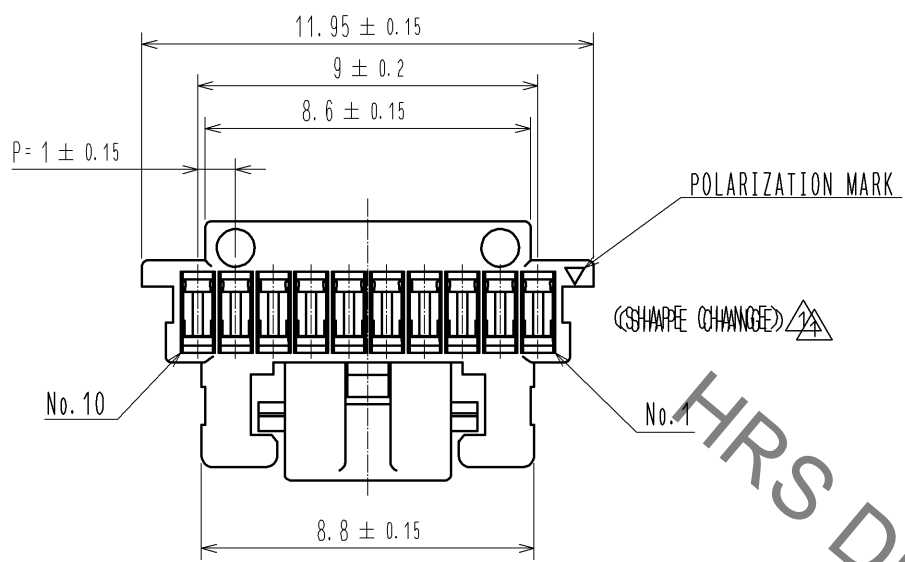


Aug.1.2019 Copyright 2019 HIROSE ELECTRIC CO., LTD. All Rights Reserved.
 In case of consideration for using Automotive equipment / device which demand high reliability, kindly contact our sales window correspondents.



HRS DRAWING FOR REFERENCE

NOTE1. PER PACK:100 PIECES

| | | | | | | | | | |
|---------------------------|--|------------------------|--|------------------|--|----------------------------|-----------------------|-------------------------|------------------|
| NO. | | MATERIAL | | FINISH . REMARKS | | 1 | PBT | UL94V-0. BLACK | |
| UNITS mm | | SCALE 5 : 1 | | COUNT 1 | DESCRIPTION OF REVISIONS DIS-H-005903 | | DESIGNED KT. ISHII | CHECKED OM. MIYAMOTO | DATE 11.06.16 |
| HIROSE ELECTRIC CO., LTD. | | APPROVED : KI. AKIYAMA | | 10.12.14 | | DRAWING NO. EDC3-329672-00 | | | |
| | | CHECKED : OM. MIYAMOTO | | 10.12.14 | | PART NO. DF50A-10S-1C | | | |
| | | DESIGNED : TT. OHSAKO | | 10.12.13 | | CODE NO. CL665-1018-6-00 | | | |
| | | DRAWN : TT. OHSAKO | | 10.12.13 | | | | | |