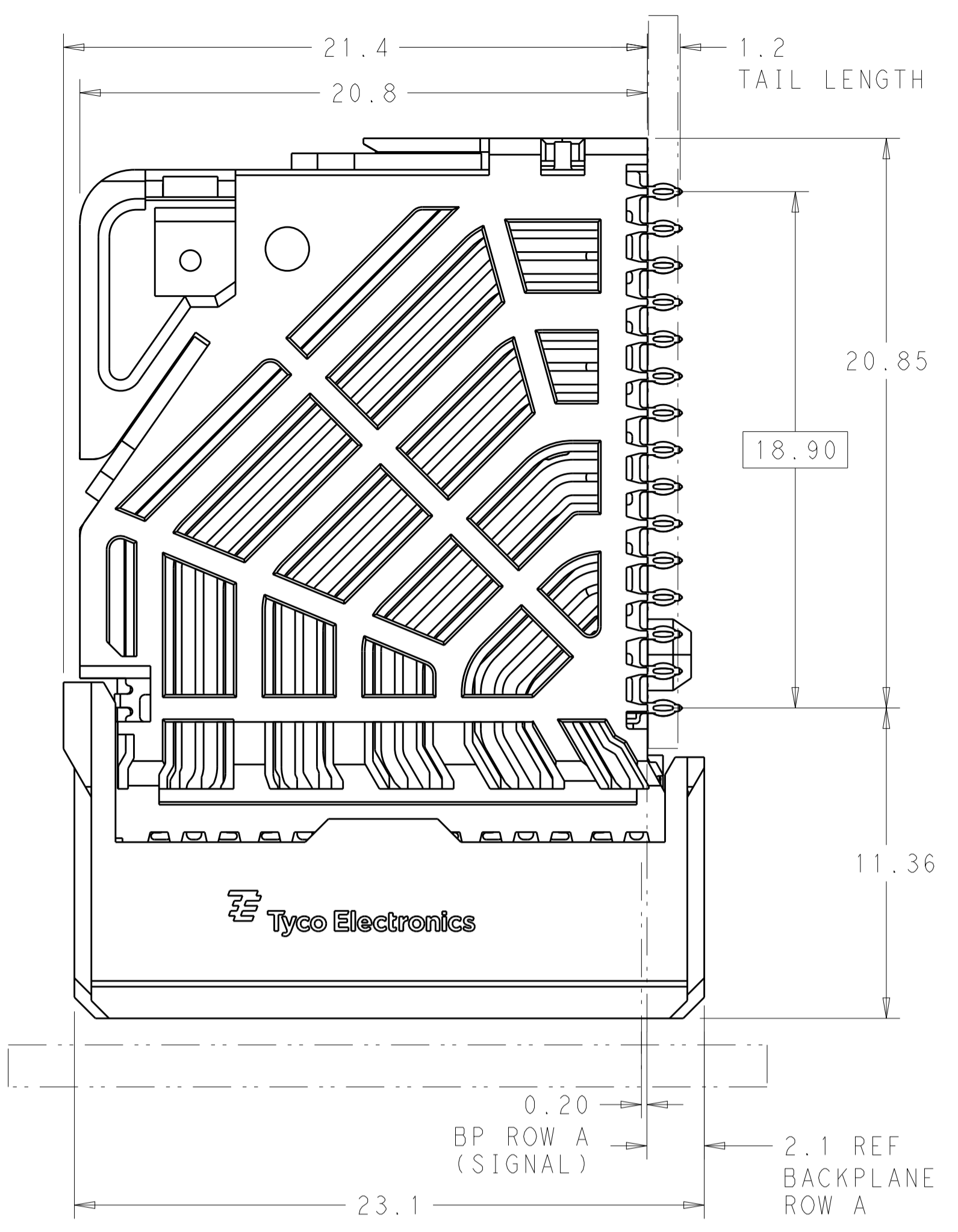
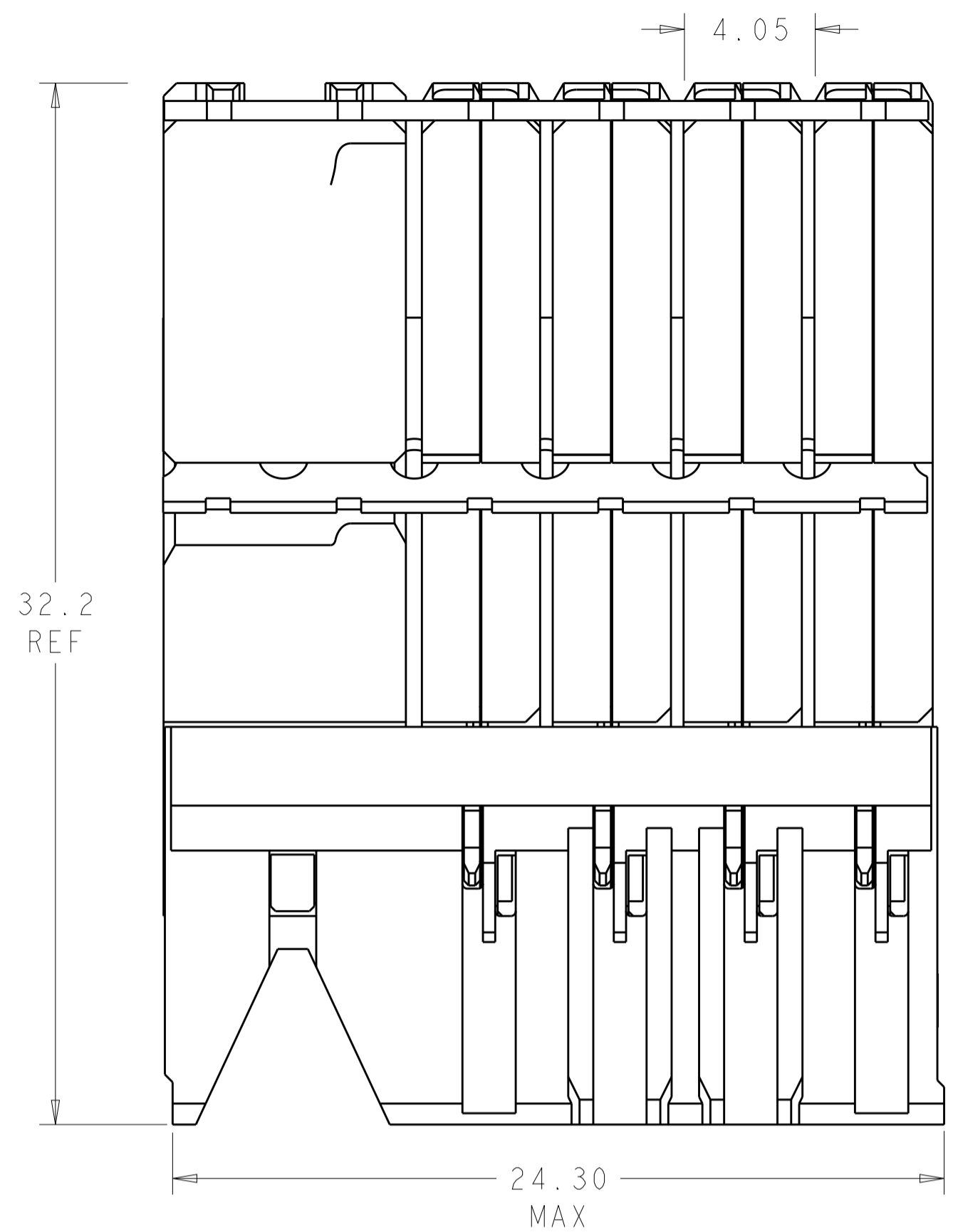
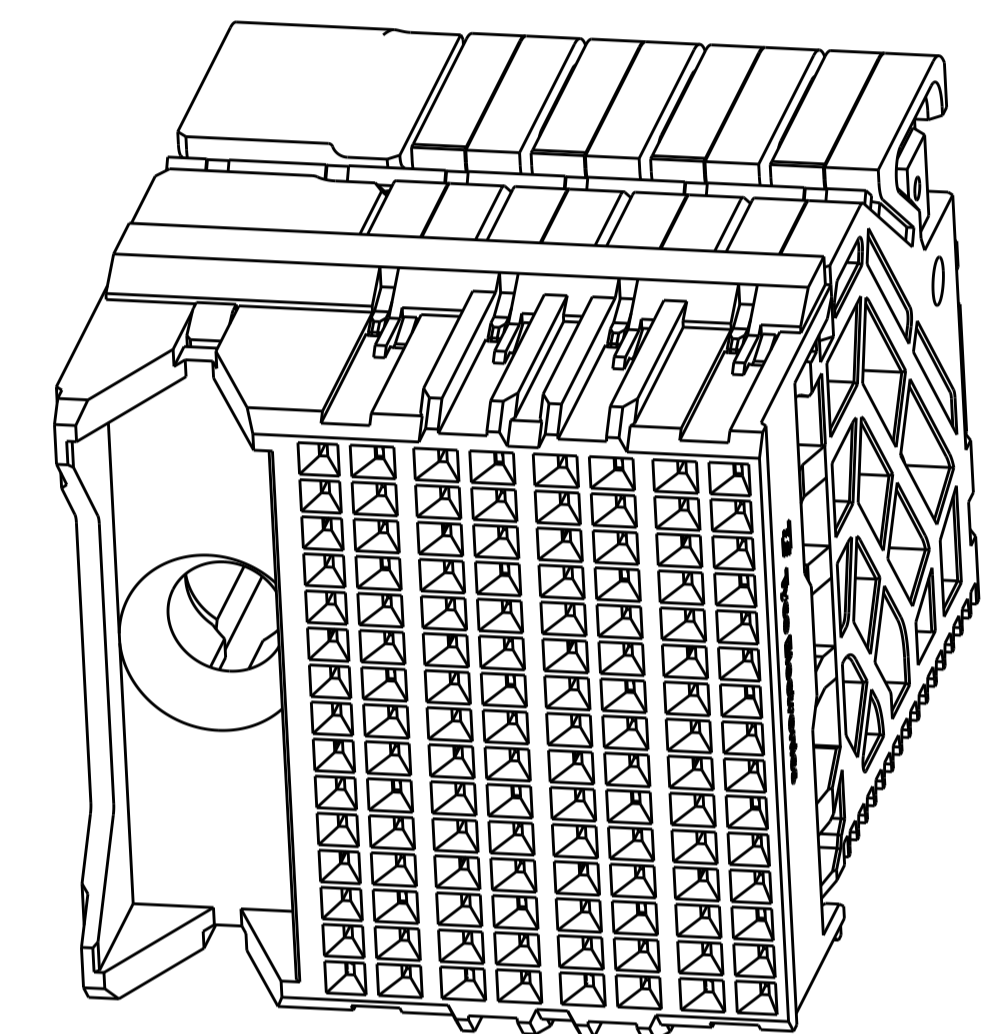


LOC	DIST	REVISIONS			
AD	00	REV	DATE	BY	APPV
		C	REVISED PER ECO-15-004915	10APR2015	AP DD

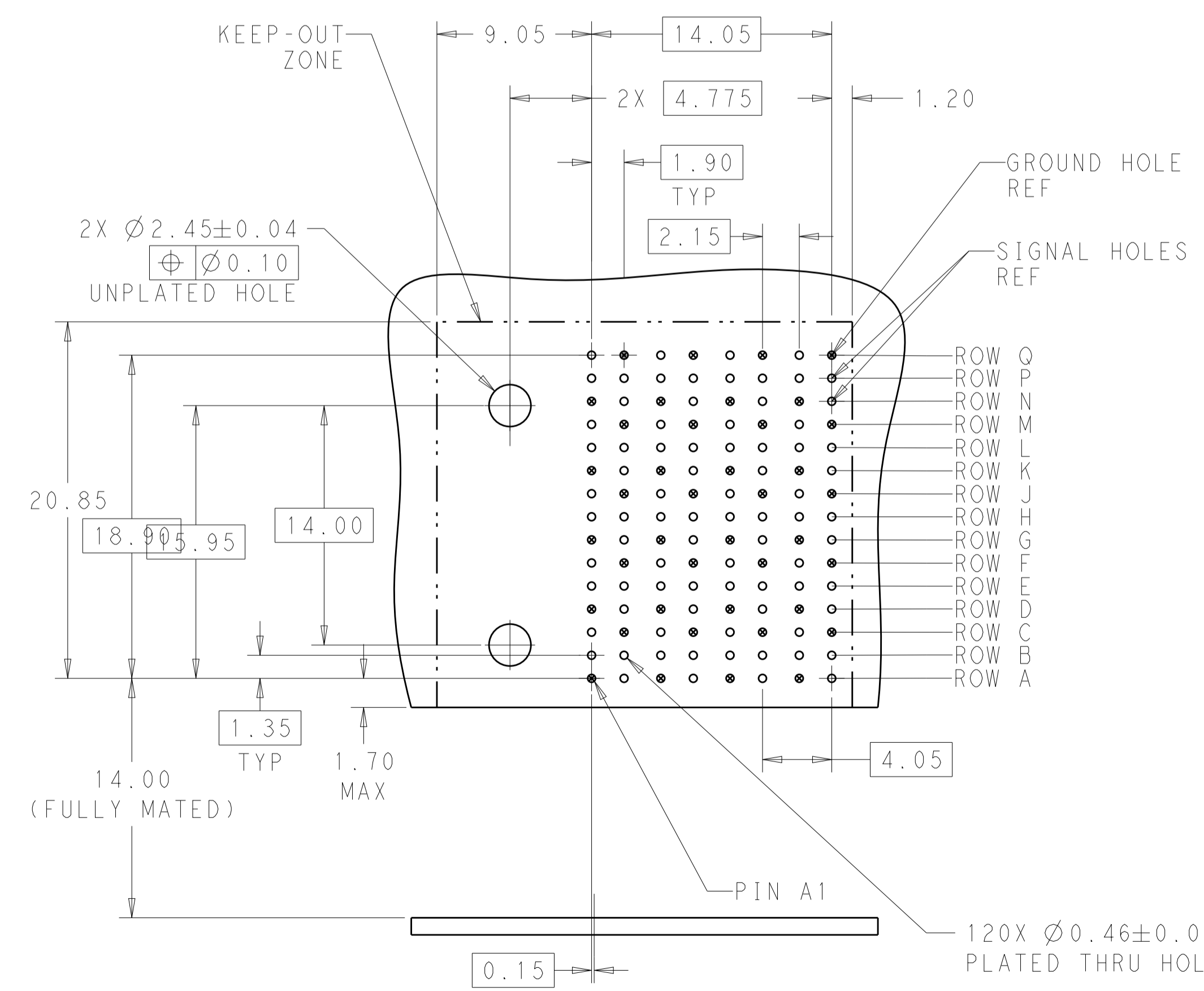
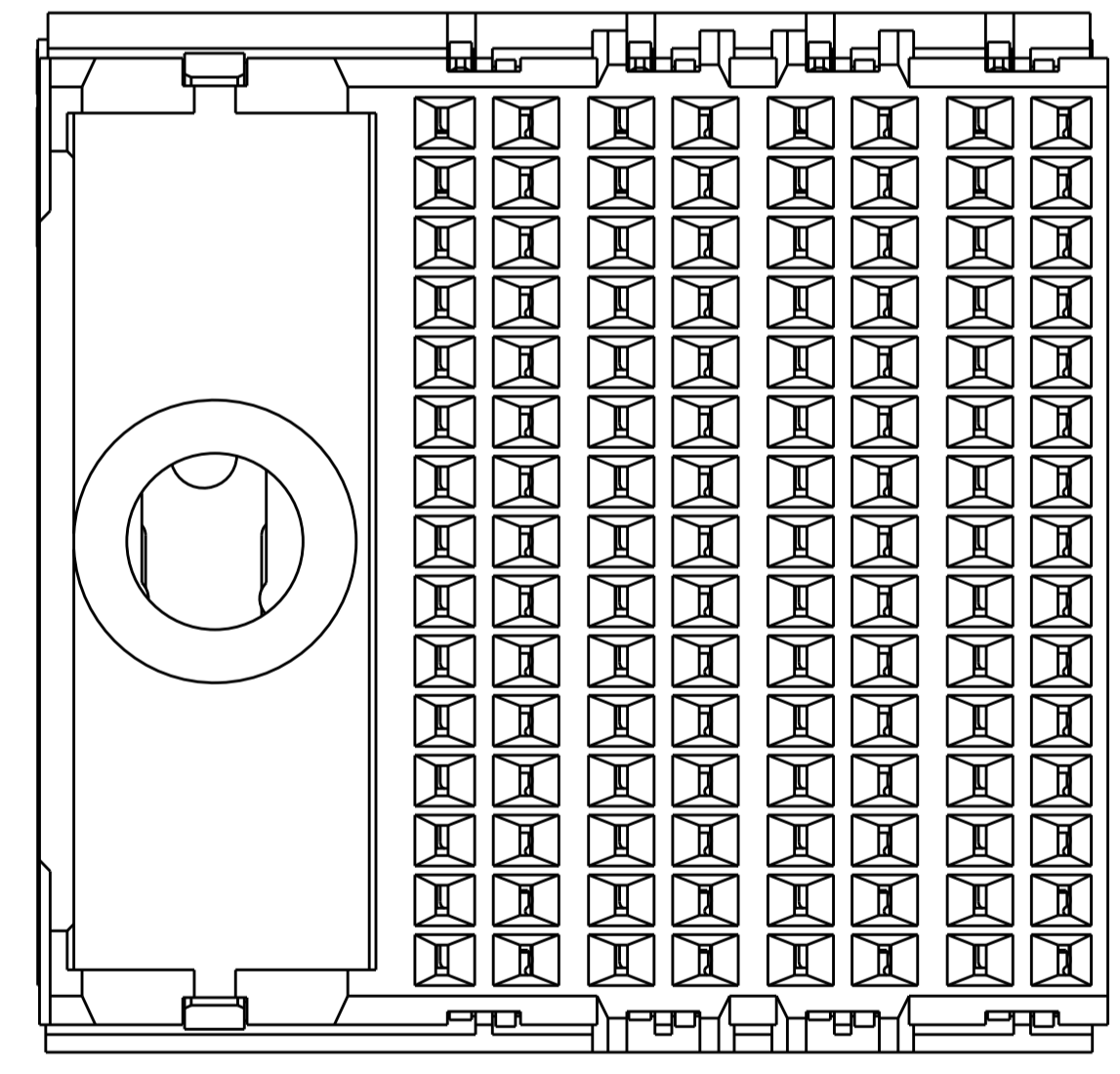


- ⚠ MATERIAL:  
HOUSING: LCP, GLASS FILLED, UL94V-0.  
TERMINALS: HIGH PERFORMANCE COPPER ALLOY.
- ⚠ FINISH:  
30µ" SELECTIVE GOLD IN CONTACT AREA. SELECTIVE TIN ON PCB TAILS, NICKEL OVERALL.
- 3. CONNECTORS SUPPLIED WITH MOUNTING SCREWS.



SCALE 4:1

REFER TO WWW.TE.COM FOR PRODUCT AVAILABILITY



OFFSET BETWEEN BOARD AND BACKPLANE HOLE COLUMNS  
RECOMMENDED PCB LAYOUT  
MIN BOARD THICKNESS 1.0

NONE	⚠	2132699-1
KEY POSITION	FINISH	PART NUMBER

THIS DRAWING IS A CONTROLLED DOCUMENT.		DWN: 29APR2011	
DIMENSIONS: mm		CHK: D. DIXON 29APR2011	
TOLERANCES UNLESS OTHERWISE SPECIFIED:		APVD: D. DIXON 29APR2011	<b>IMPACT, ORTHOGONAL, 5 PAIR, DAUGHTERCARD, 8 COLUMN, LEFT GUIDED, SIGNAL MODULE, 0.46 EYELET</b>
0 PLC ±0.25		PRODUCT SPEC	
1 PLC ±0.15		APPLICATION SPEC	SIZE: CAGE CODE DRAWING NO. RESTRICTED TO
2 PLC ±0.10		WEIGHT	A100779C=2132699
3 PLC ±0.05		CUSTOMER DRAWING	SCALE: 6:1 SHEET 1 OF 1 REV C
4 PLC ±0.02			
ANGLES ±0.1			
FINISH: SEE TABLE			