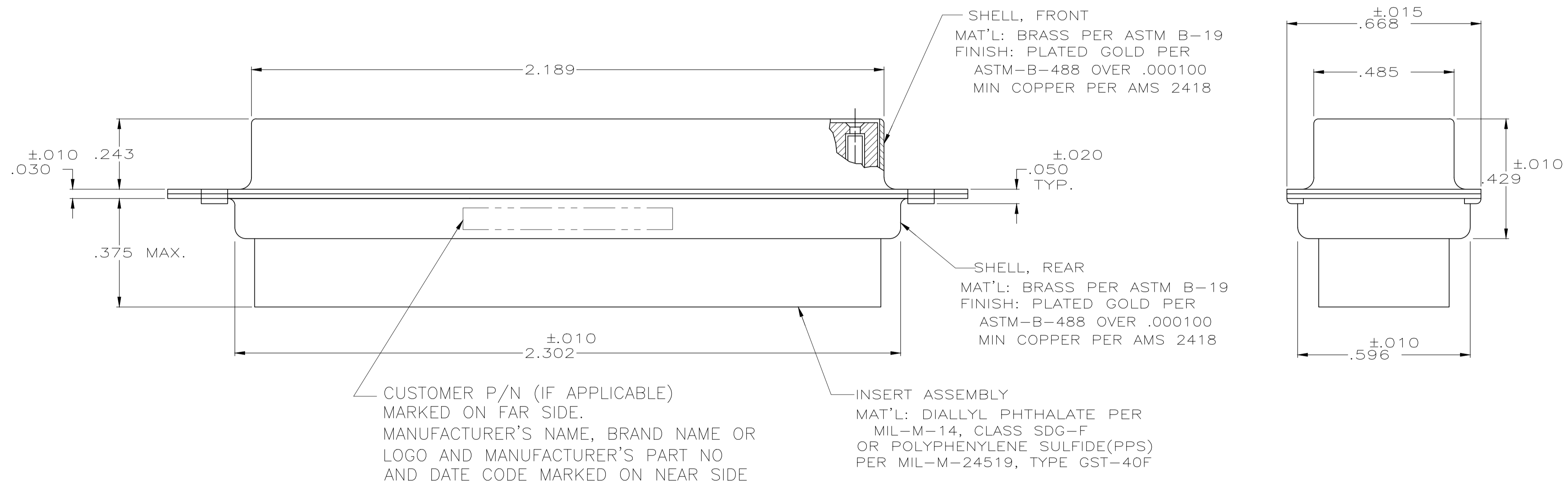
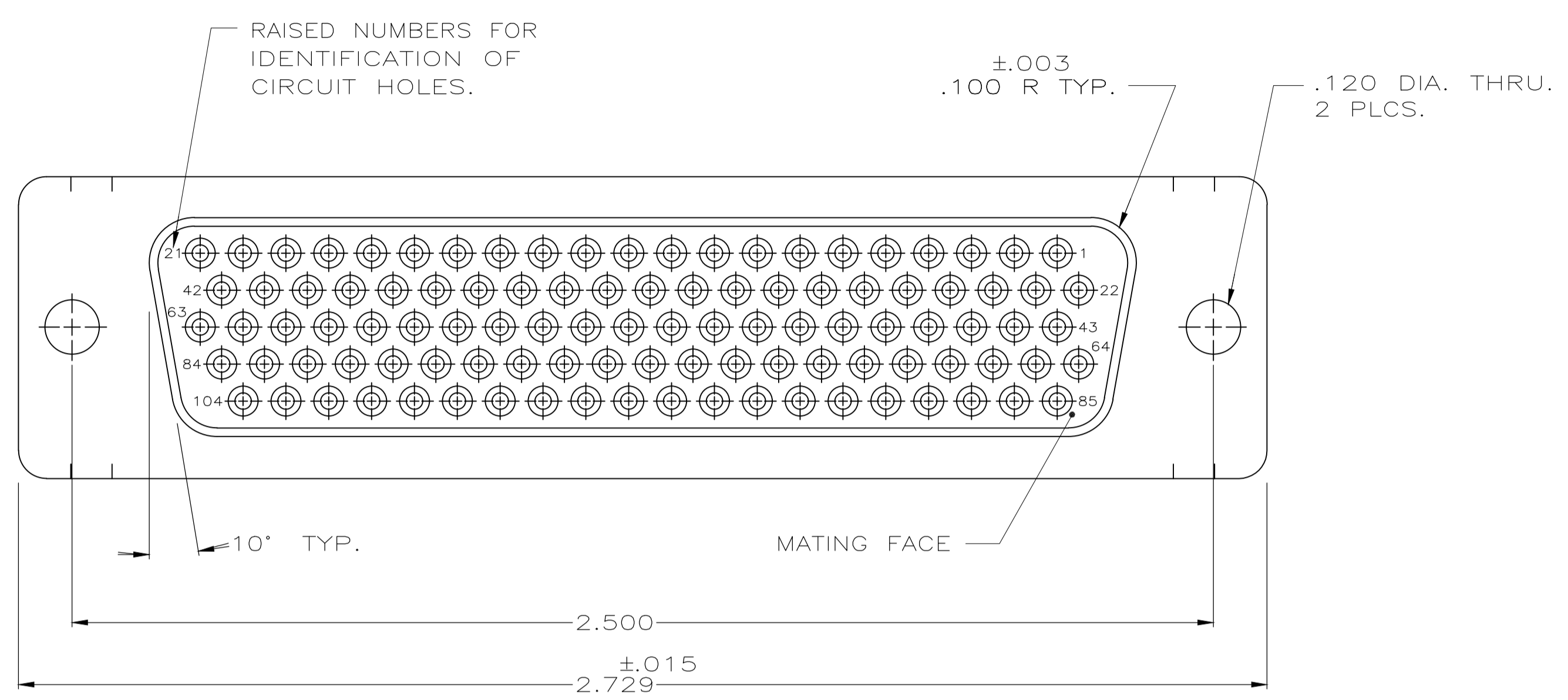


REVISIONS					
P	LTR	DESCRIPTION	DATE	DMN	APVD
D		REV PER ECO 20-006230	8-11-20	CT	DM

- THIS RECEPTACLE WILL MATE WITH ANY SIZE 6,104 POSN. PLUG IN AMPLIMITE SERIES.
 - CONNECTOR SUPPLIED WITHOUT CONTACTS; SHOWN FOR ILLUSTRATION ONLY.
 - BE-CU RETENTION CLIPS ARE INCLUDED IN INSERTS AND INSTALLED WITH TINES POINTING TOWARDS MATING FACE.
 - OVERALL DIMENSIONS DO NOT INCLUDE RAISED CAVITY IDENTIFICATION
 - MARKING FAR SIDE REFERS TO WIDE SIDE OF KEYSTONE. NEAR SIDE REFERS TO NARROW SIDE OF KEYSTONE.
- ⚠ 100% INSPECTION REQUIRED PER BOEING 1B01:
 A. VISUAL
 B. DWV
 C. IR
7. CUSTOMER REQUIRES SINGLE LOT DATE CODE.



REMARKS	1B01-006RHW	1-211648-1
	1B01-006	211648-1
REMARKS	CUSTOMER PART NUMBER	PART NO.

THIS DRAWING IS A CONTROLLED DOCUMENT.

DIMENSIONS: INCHES	TOLERANCES UNLESS OTHERWISE SPECIFIED:	DIN D. ERDMAN 3/8/84	APVD J. BROSCARD 6/29/84	NAME RECEPTACLE ASS'Y, AMPLIMITE 104 POSN, SIZE 6, SERIES 90 NON-MAGNETIC
0 PLC ± -	1 PLC ± -	2 PLC ± -	3 PLC ± .005	4 PLC ± -
ANGLES ± -	± 0'30"			
MATERIAL SEE CALLOUT	FINISH SEE CALLOUT	WEIGHT 0.000000	SIZE A1	CAGE CODE 00779
CUSTOMER DRAWING		SCALE NTS	SHEET 1 OF 1	REV D

TE Connectivity