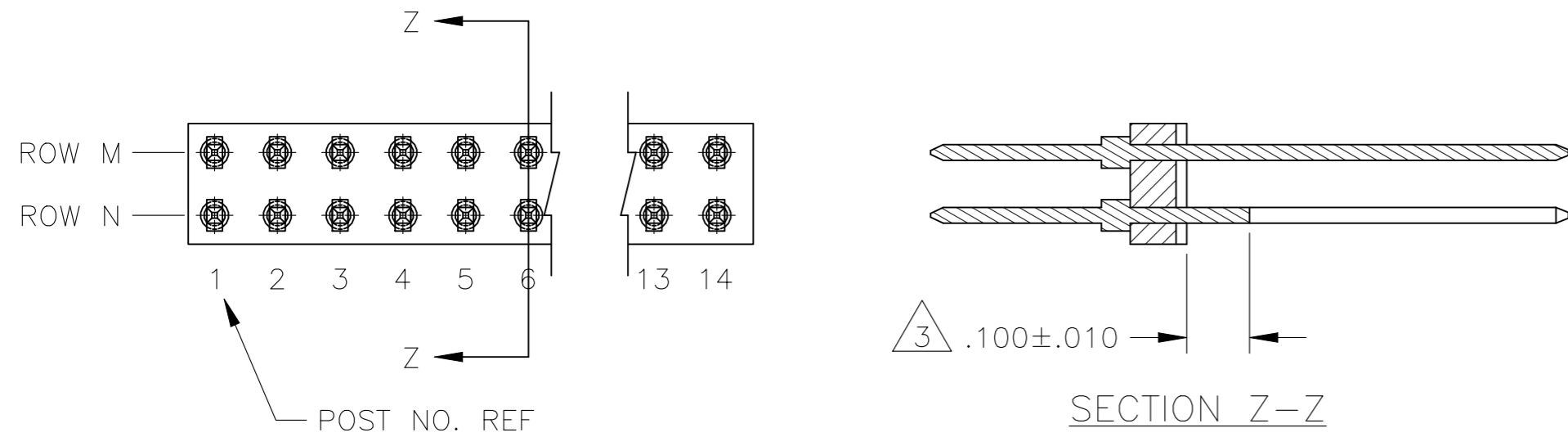
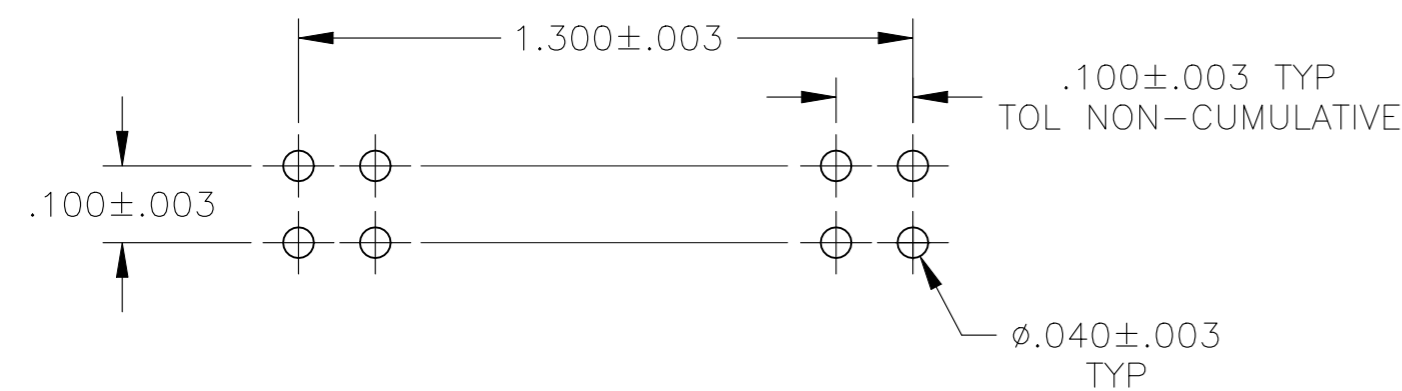
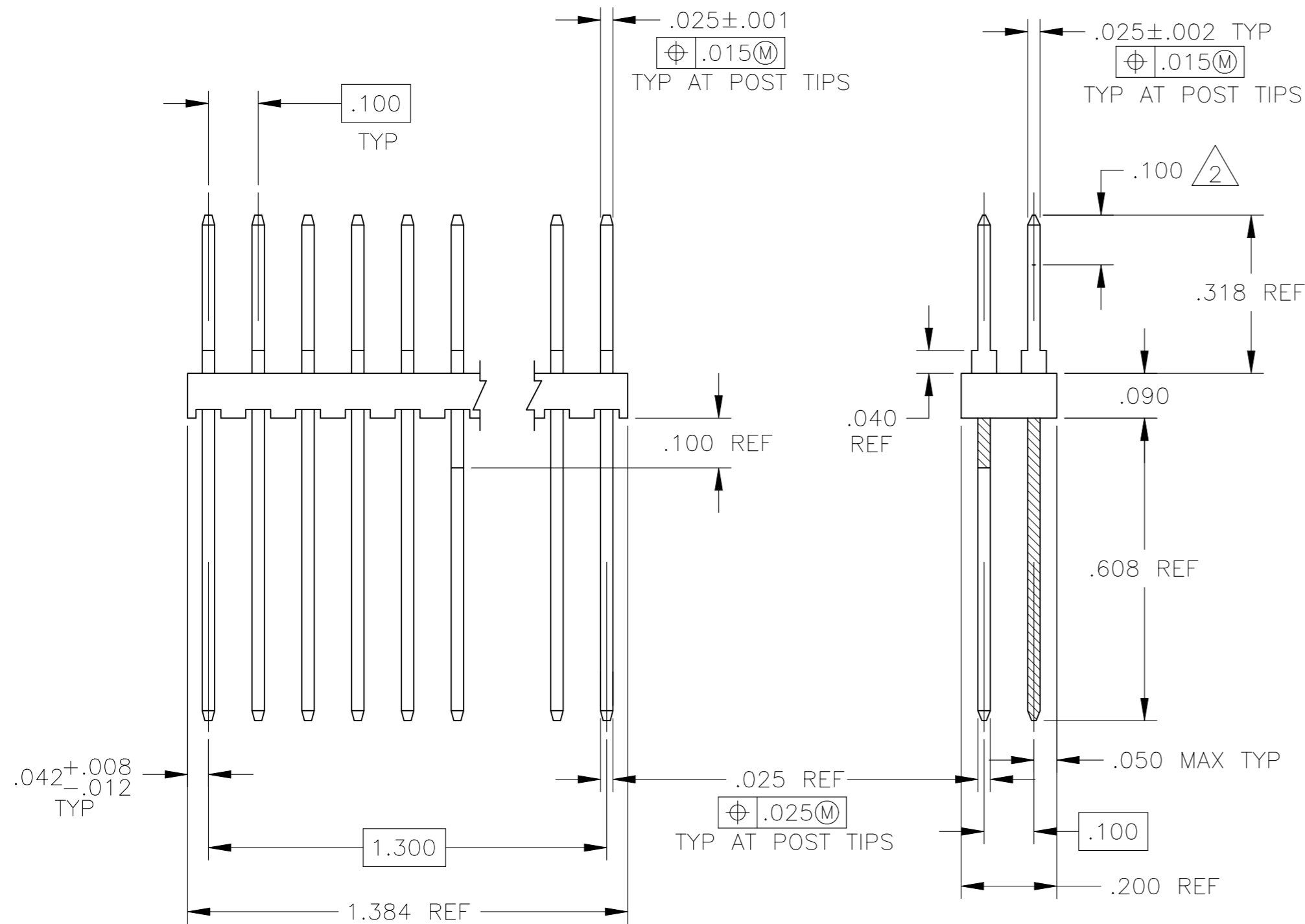


REVISIONS				
P	LTR	DESCRIPTION	DATE	APVD
B1	ECR-22-138477		10MAY2022	LP MF



- TRUE POSITION OF POST TIPS APPLIES WHEN HEADERS ARE HELD FLAT AGAINST PRINTED CIRCUIT BOARD.
- POINT OF MEASUREMENT FOR PLATING THICKNESS.
- PIN N6 TO BE TRIMMED TO  $.100 \pm .010$  LENGTH AS SHOWN
- MATERIAL: HOUSING- FLAME RETARDANT THERMOPLASTIC, COLOR-BLACK  
POSTS- PHOSPHOR BRONZE
- FINISH: POSTS-  $.000030$  GOLD OVER  $.000050$  NICKEL



RECOMMENDED HOLE LAYOUT

28	1825646-1
NO OF POSN	ASSEMBLY PART NUMBER

THIS DRAWING IS A CONTROLLED DOCUMENT.		DWN R BROWN 24AUG2006	TE Connectivity	
DIMENSIONS: INCHES		CHK J GESFORD 24AUG2006		
TOLERANCES UNLESS OTHERWISE SPECIFIED:		APVD J GESFORD 24AUG2006	NAME	
0 PLC ± -	1 PLC ± -	PRODUCT SPEC	HEADER ASSEMBLY, MOD II, VERTICAL, DOUBLE ROW, .100X.100	
2 PLC ± -	3 PLC ± .005	APPLICATION SPEC	SIZE A2	CAGE CODE 00779
4 PLC ± -	ANGLES ± -	WEIGHT -	DRAWING NO C=1825646	RESTRICTED TO -
MATERIAL 4	FINISH 5	CUSTOMER DRAWING	SCALE 4:1	SHEET 1 of 1
			REV B1	