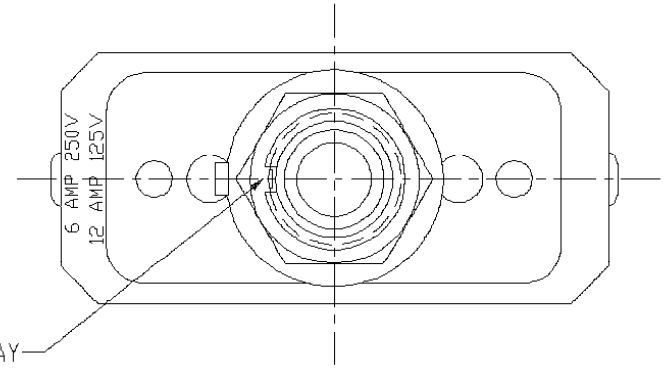
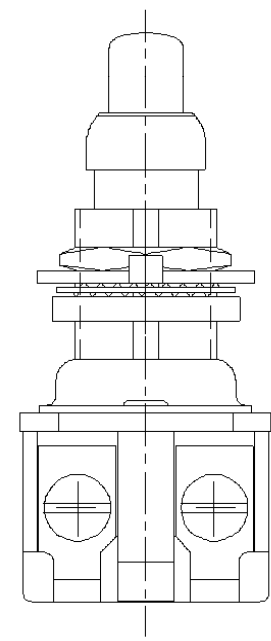


REVISIONS				
P	LTR	DESCRIPTION	DATE	APVD
B		REVISED PER ECR-17-008920	21JUN2017	SK AS

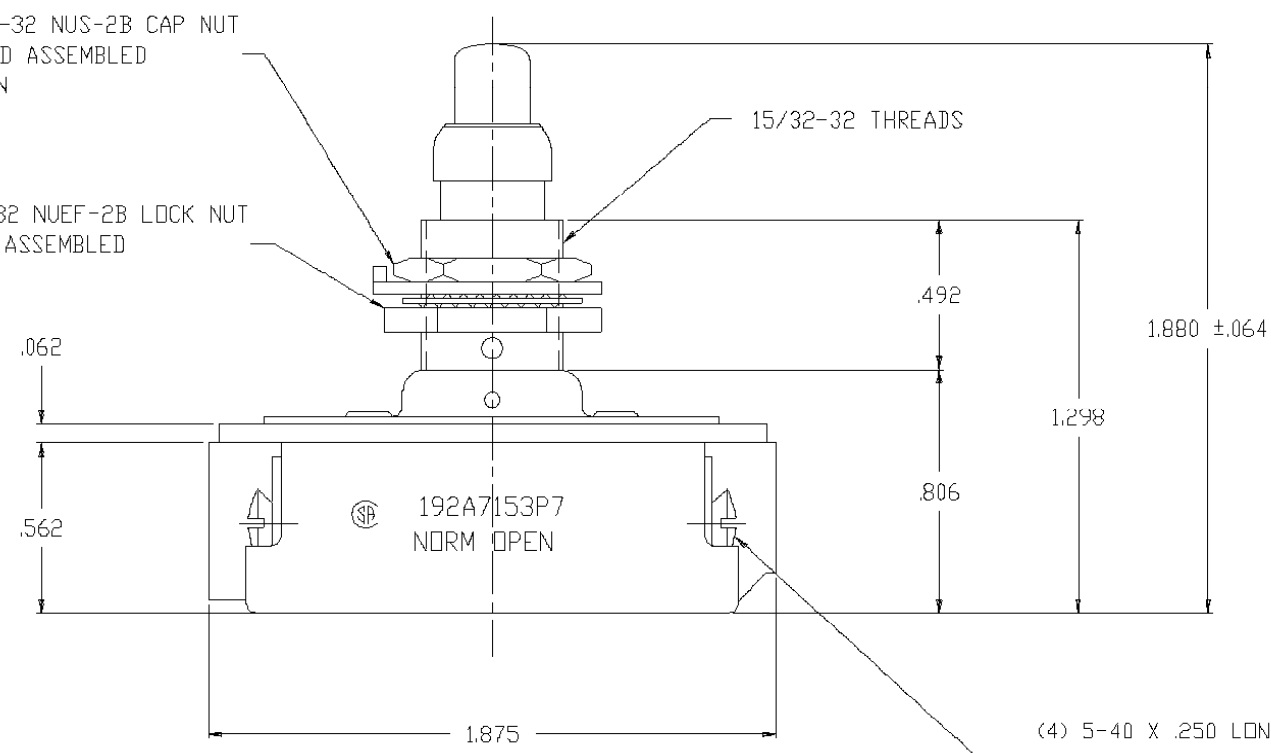


.083 ±.003 X .046 DEEP KEYWAY



15/32-32 NUS-2B CAP NUT
SHIPPED ASSEMBLED
AS SHOWN

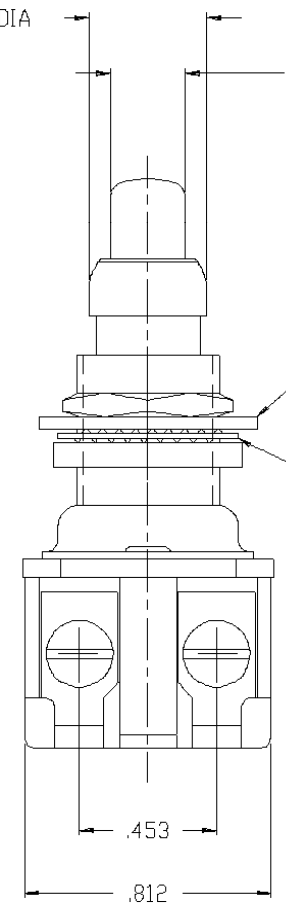
15/32-32 NUF-2B LOCK NUT
SHIPPED ASSEMBLED
AS SHOWN



(4) 5-40 X .250 LONG
UNDERCUT BDG. HD. SCREW
SHIPPED ASSEMBLED

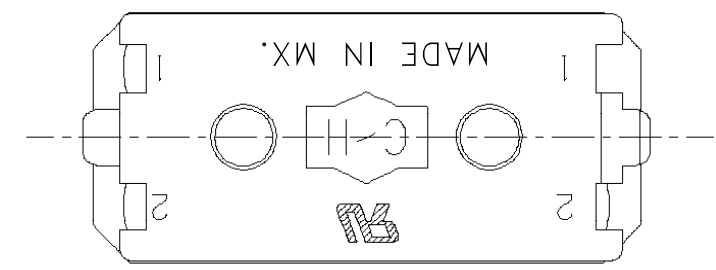
.390 ±.002 DIA

.247 ±.001 DIA



LOCKING RING
SHIPPED ASSEMBLED
AS SHOWN

INTERNAL TOOTH LOCKWASHER
SHIPPED ASSEMBLED
AS SHOWN



1. UNLESS OTHERWISE SPECIFIED ALL TOLERANCE TO BE ±.016.
2. SWITCH ASSEMBLED WITH SYN-TECH NS-5888-G SYNTHETIC GREASE

THIS DRAWING IS A CONTROLLED DOCUMENT.		DWN W. LEONARD 3/30/92		
		CHK WESTEMEIER 4/10/92		
DIMENSIONS: INCHES		APVD M.R. DUMMER 4/14/92	NAME D.P.S.T. MOMENTARY CONTACT PUSH SWITCH W/ OVERTHROW - NORMALLY "OFF"	
		PRODUCT SPEC	RESTRICTED TO	
TOLERANCES UNLESS OTHERWISE SPECIFIED:		APPLICATION SPEC	SIZE A2	CAGE CODE 00779
0 PLC ± -		WEIGHT 0	DRAWING NO C-1520143	REVISION B
1 PLC ± -		CUSTOMER DRAWING		
2 PLC ± -		SCALE NTS	SHEET 1 of 1	REV B
3 PLC ± -				
4 PLC ± -				
ANGLES ± -				
FINISH -				