

T distributor - QPD T 3PE1,5 2X4-9 BK - 1414707

Please be informed that the data shown in this PDF Document is generated from our Online Catalog. Please find the complete data in the user's documentation. Our General Terms of Use for Downloads are valid (<http://phoenixcontact.com/download>)



T distributor, QUICKON connection, number of positions: 3+PE, 0.5 mm² ... 1.5 mm², 690 V, 17.5 A, black, With two QUICKON nuts, cable diameter range: 5 mm ... 9.5 mm

Your advantages

- ✔ Innovative and time saving - QUICKON fast connection for time saving of up to 80 % for on-site connection
- ✔ Convenient: quick and easy assembly without special tools
- ✔ Robust throughout: housing with IP68/IP69K and IK07 protection for a wide range of applications
- ✔ Safer connection thanks to polarization against mismatching and touch-proof protection according to DIN EN 0105
- ✔ Flexible and compact - by connecting connections internally, H and T-distributors can be used to branch master cables or they can be used as star distributors

Key Commercial Data

Packing unit	1 pc
GTIN	
GTIN	4055626032016

Technical data

General

Type	T-distributor
Color	black
Locking type	Screw locking
Connection method	QUICKON connection
	IDC connection
Number of positions	4
Note number of positions	3+PE
Tightening torque, union nut	8 Nm
Tightening torque, counter nut	5 Nm
Number of connections	2
Conductor cross section flexible min.	0.5 mm ²

T distributor - QPD T 3PE1,5 2X4-9 BK - 1414707

Technical data

General

Conductor cross section flexible max.	1.5 mm ²
Conductor cross section solid min.	0.5 mm ²
Conductor cross section solid max.	1.5 mm ²
Conductor cross section AWG min.	20
Conductor cross section AWG max.	16

Cabel

Structure of individual litz in acc. with VDE 0295 / smallest wire diameter	VDE 0295 class 1 to 6/min. 0.15 mm
Wire insulation material	PVC/PE/TPE/rubber
Wire diameter including insulation	1.6 mm ... 3 mm
External cable diameter	5 mm ... 9.5 mm
Position marking	1, 2, 3, PE

Ambient conditions

Degree of protection	IP66
	IP68 (2 m / 24 h)
	IP69K
Ambient temperature (operation)	-40 °C ... 100 °C
Ambient temperature (storage/transport)	-40 °C ... 100 °C
Temperature when conductor connected	-5 °C ... 50 °C

Electrical characteristics

Nominal current I _N	17.5 A
Rated current	17.5 A
Rated voltage (III/3)	690 V
Rated voltage (III/2)	1000 V
Rated voltage (II/2)	1000 V
Rated surge voltage (III/3)	6 kV
Rated surge voltage (III/2)	8 kV
Rated surge voltage (II/2)	8 kV

Mechanical characteristics

QUICKON connectability	max. 10
Insertion/withdrawal cycles	10 (QUICKON connections max. 10)
Category of shock impact	IK07

Material data

Contact material	Cu
Contact surface material	silver-plated
Contact carrier material	PA
Insulating material	PA
Flammability rating according to UL 94	V0
Overvoltage category	III

T distributor - QPD T 3PE1,5 2X4-9 BK - 1414707

Technical data

Material data

Degree of pollution	3
---------------------	---

Standards and Regulations

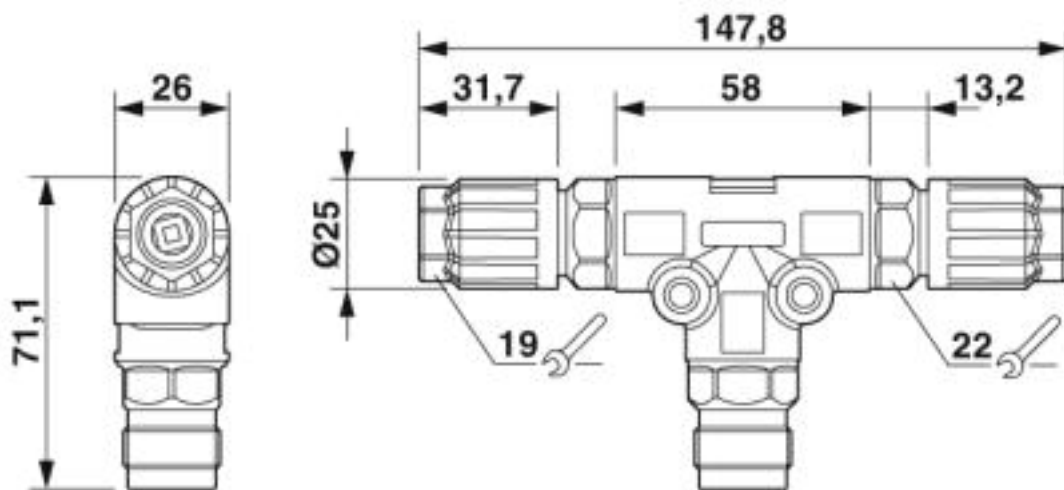
Flammability rating according to UL 94	V0
--	----

Environmental Product Compliance

	Lead 7439-92-1
--	----------------

Drawings

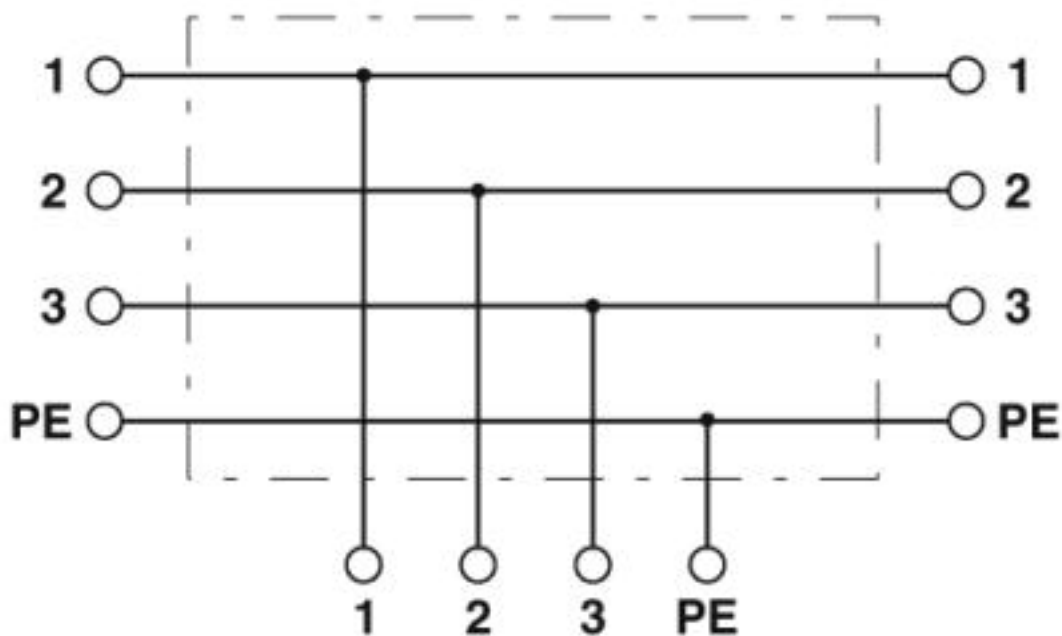
Dimensional drawing



Dimensional drawing

T distributor - QPD T 3PE1,5 2X4-9 BK - 1414707

Circuit diagram



Approvals

Approvals

Approvals

IECEE CB Scheme / VDE Zeichengenehmigung / EAC / DNV GL

Ex Approvals

Approval details

IECEE CB Scheme		http://www.iecee.org/	DE1-61559
-----------------	--	---	-----------


VDE Zeichengenehmigung		http://www2.vde.com/de/Institut/Online-Service/VDE-gepruefteProdukte/Seiten/Online-Suche.aspx	40029149
------------------------	--	---	----------

Nominal voltage UN	690 V
Nominal current IN	17.5 A
mm ² /AWG/kcmil	0.5-1.5

T distributor - QPD T 3PE1,5 2X4-9 BK - 1414707

Approvals

EAC			RU C- DE.AI30.B.01102
-----	---	--	--------------------------

DNV GL		https://approvalfinder.dnvgl.com/	TAE00003J5
--------	---	---	------------

Phoenix Contact 2019 © - all rights reserved
<http://www.phoenixcontact.com>

PHOENIX CONTACT GmbH & Co. KG
Flachsmarktstr. 8
32825 Blomberg
Germany
Tel. +49 5235 300
Fax +49 5235 3 41200
<http://www.phoenixcontact.com>