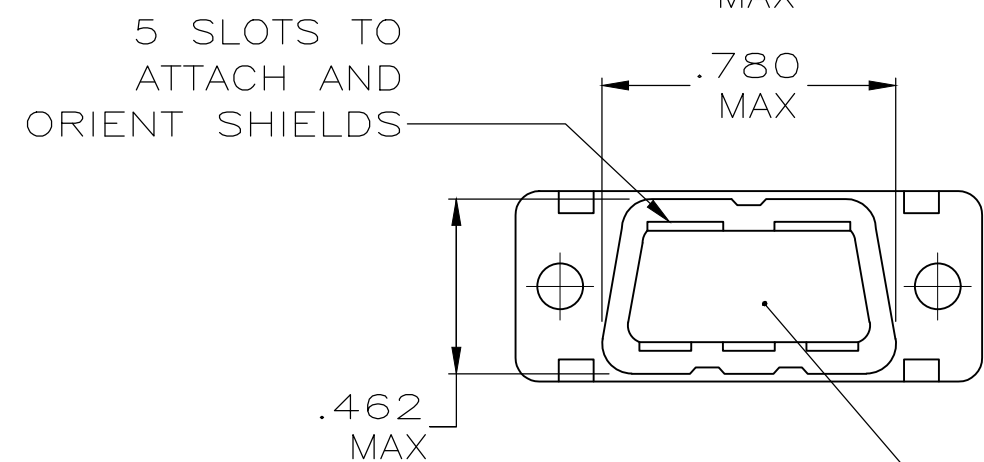
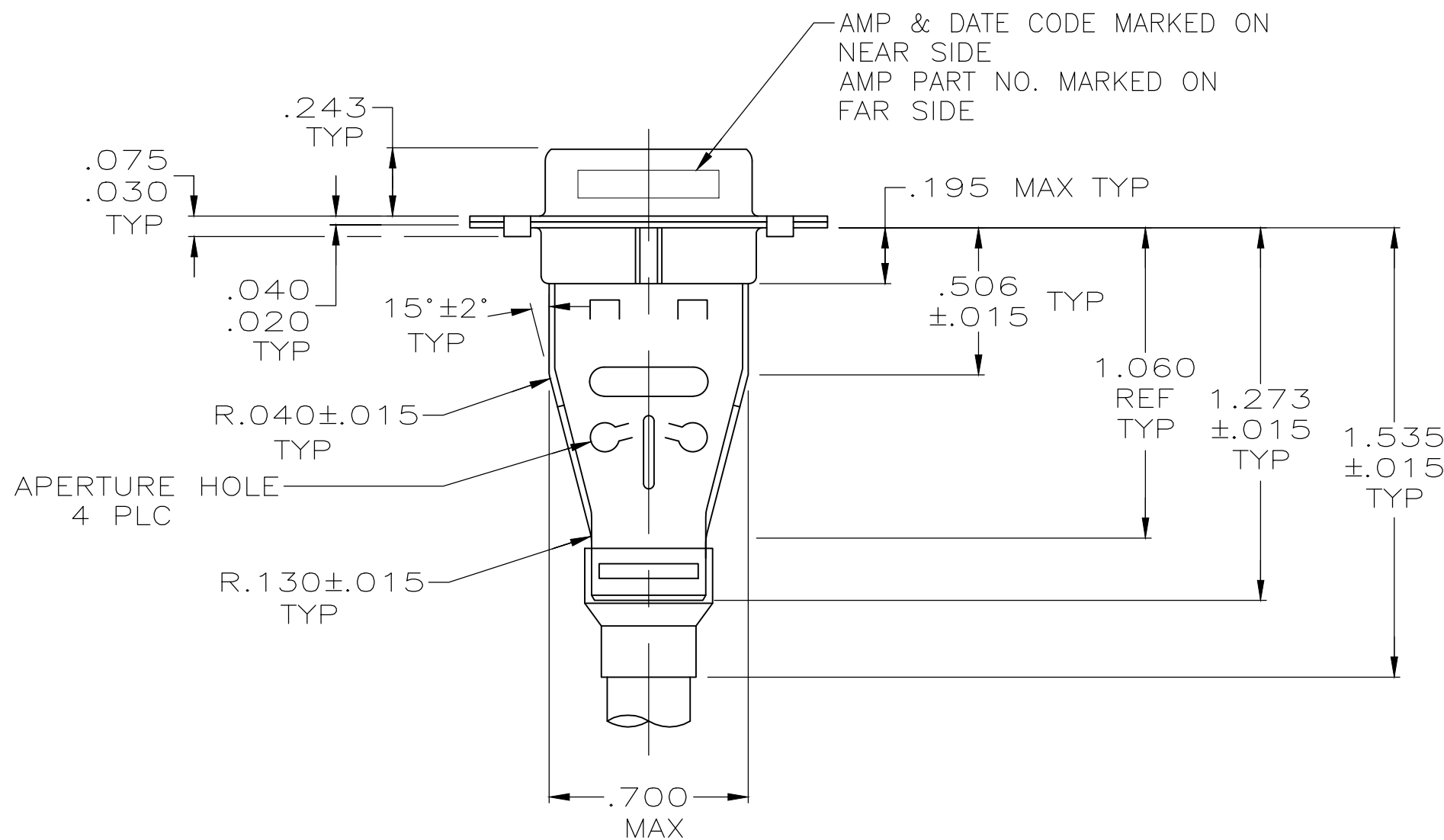
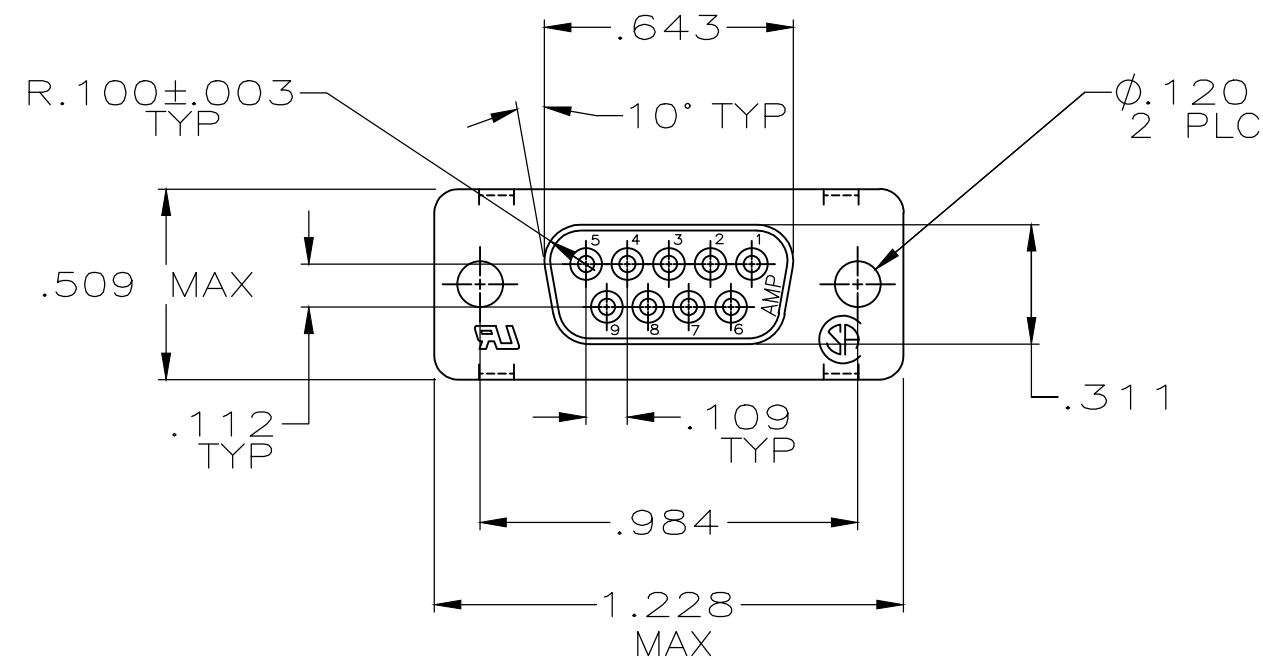


THIS DRAWING IS UNPUBLISHED. RELEASED FOR PUBLICATION
 © COPYRIGHT - By - ALL RIGHTS RESERVED.

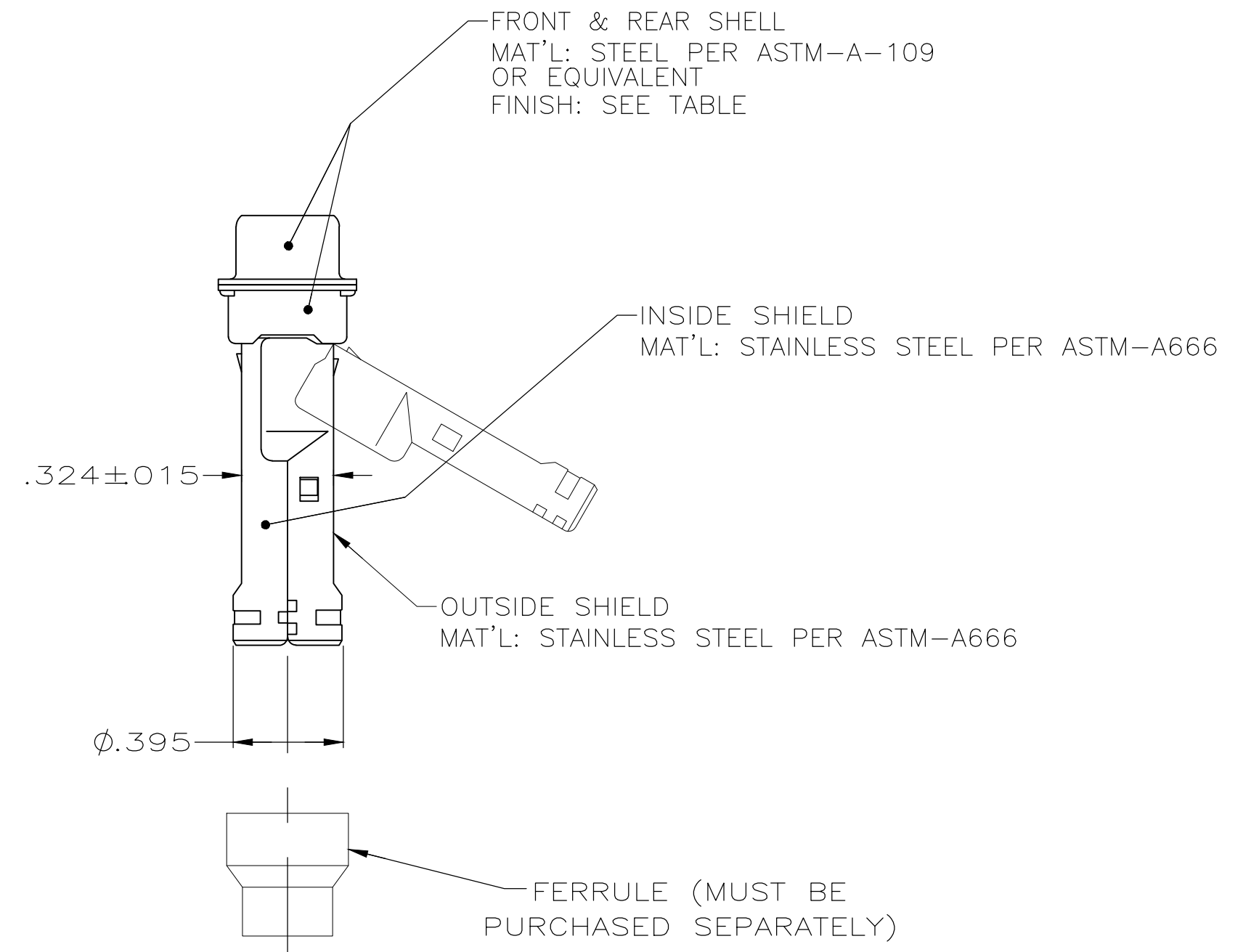
REVISIONS					
P	LTR	DESCRIPTION	DATE	DWN	APVD
E		REV PER ECO 19-015794	12-10-19	CT	DM



VIEW OF REAR SHELL (WITH SHIELDS REMOVED)
 INSERT ASSY MATERIAL PER MIL-DTL-24308

AMP & DATE CODE MARKED ON NEAR SIDE
 AMP PART NO. MARKED ON FAR SIDE

- CONTACTS ARE INCLUDED WITH CONNECTOR (PACKAGED SEPARATELY)
 MAT'L: BRASS PER ASTM-B-16 OR BERYLLIUM COPPER PER ASTM-B-194.
 FINISH: GOLD PER MIL-G-45204, TYPE II, GRADE C, CLASS I IN CONTACT MATING AREA. .000010 MIN GOLD PER MIL-G-45204 ON CONTACT BODY OVER NICKEL .000050 MIN THICK PER QQ-N-290.
- FINISH: CADMIUM PER QQ-P-416, TYPE II, CLASS 2, OVER COPPER PER MIL-C-14550 CLASS 4.
- FINISH: ZINC PLATED PER ASTM-B-633 .000200-.000400 THK WITH SUPPLEMENTARY CHROMATE (Cr3+).



3	5-1218949-1
2	1218949-1
REMARKS	PART NO

THIS DRAWING IS A CONTROLLED DOCUMENT.		DWN	C.C.THOMAS	11-9-00	 TE Connectivity			
DIMENSIONS: INCHES		CHK	R.GROSS	11-9-00				
TOLERANCES UNLESS OTHERWISE SPECIFIED:		APVD	R.GROSS	11-9-00	NAME AMPLIMITE KIT,SERIES 109, SIZE 1,9 POSN., WITH SHIELDING HARDWARE			
0 PLC ± - 1 PLC ± - 2 PLC ± - 3 PLC ± .005 [0.13] 4 PLC ± - ANGLES ± -		PRODUCT SPEC	-					
MATERIAL		APPLICATION SPEC	-		SIZE	A2		
FINISH		WEIGHT	0.000000	CAGE CODE	00779	DRAWING NO	C=1218949	
		CUSTOMER DRAWING	SCALE	2:1	SHEET	1 OF 1	REV	E